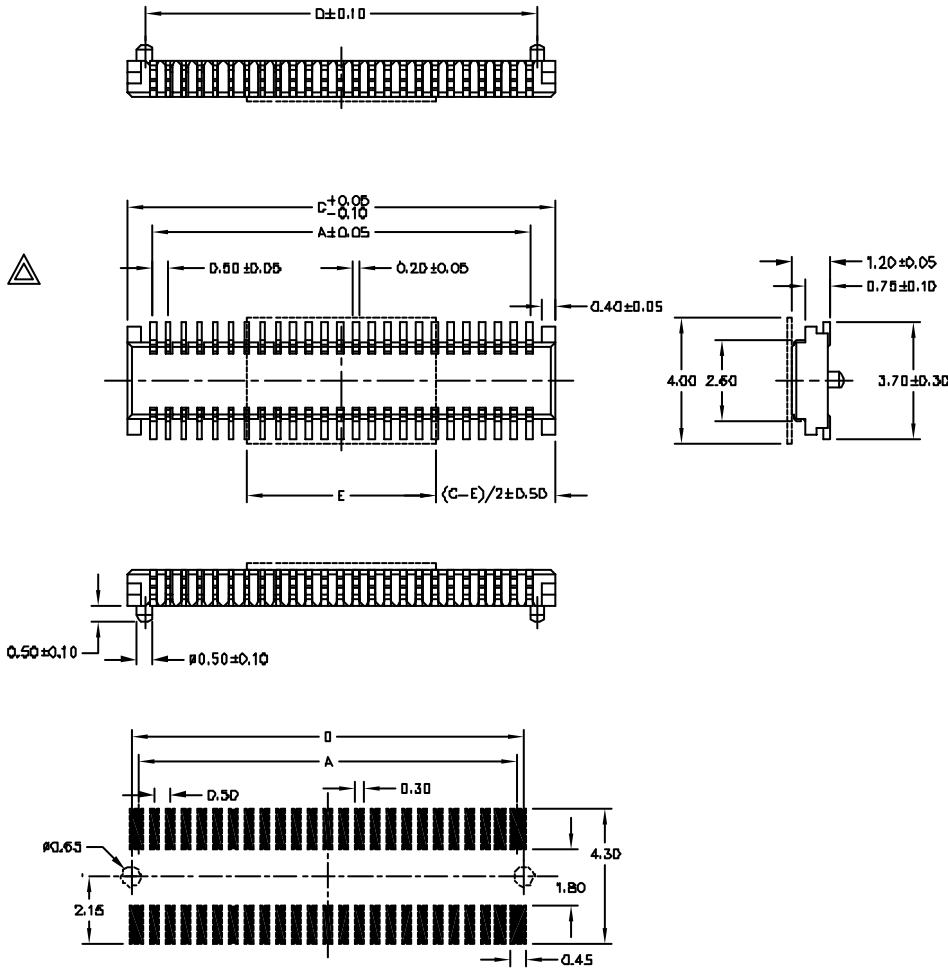


CIRCUITS	DIM A	DIM C	DIM D	W/G Leadless pin	Pin Leadless pin
6	1.00	2.60	1.50	⊕	⊕
10	2.00	3.60	2.50	⊕	⊕
12	2.50	4.10	3.00		
14	3.00	4.60	3.50		
16	3.50	5.10	4.00		
18	4.00	5.60	4.50		
20	4.50	6.10	5.00		⊕
22	5.00	6.50	5.50		
24	5.50	7.10	6.00	⊕	⊕
26	6.00	7.60	6.50		
28	6.50	8.10	7.00		⊕
30	7.00	8.60	7.50		⊕
32	7.50	9.10	8.00		
34	8.00	9.60	8.50		⊕
36	8.50	10.10	9.00		
38	9.00	10.60	9.50		
40	9.50	11.10	10.00	⊕	⊕
42	10.00	11.60	10.50		
44	10.50	12.10	11.00		
46	11.00	12.60	11.50	⊕	
48	11.50	13.10	12.00		
50	12.00	13.60	12.50		⊕
52	12.50	14.10	13.00		
54	13.00	14.60	13.50		
56	13.50	15.10	14.00		
58	14.00	15.60	14.50		
60	14.50	16.10	15.00		⊕
70	17.00	18.60	17.50		
80	19.50	21.10	20.00		
100	24.50	26.10	25.00		⊕

Diagram	Molding description
⊕	mass production & assemble mold
⊗	sample & assemble mold
⊙	mass production & fix mold
⊚	sample & fix mold

PIN数	FILM(E)
18PIN(含)以下	φ4.00
18PIN以上	6.0X4.0



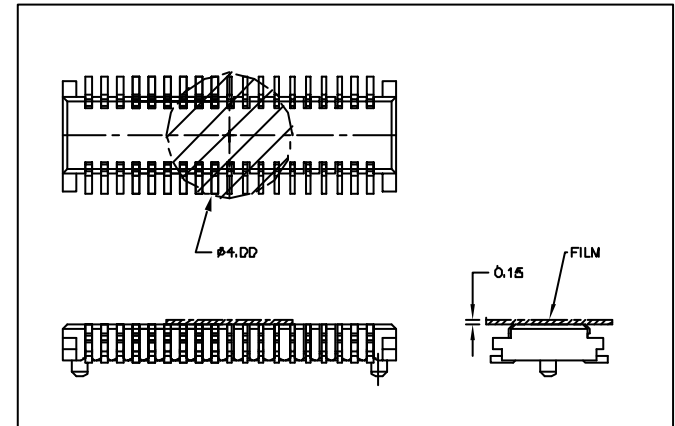
RECOMMENDED P.C.B LAYOUT (TOP VIEW)
(PCB TOLERANCE ±0.05)

SPECIFICATIONS

Current Rating: 0.3 Amps
 Insulator resistance: 100 Megohms min.
 Contacts resistance: 60 m ohms max.
 Dielectric withstanding: AC 50V
 Operating Temperature: -40°~+85°C
 Contact Material: Phosphor Bronze
 Insulator Material: High Temperature Thermoplastic,UL 94V-0

Finish: Gold plated
 ◎Standard: Gold flash all over

NP0525-P02PC-xxx-LF
 LEADFREE
 RoHS Compliant



MORETHANALL
CONNECTORS
ASSEMBLIES

煜倫股份有限公司

PART NO. NP0525-P02PC-xxx

DWG NO. NP0525-P02PC-xxx

FILE NO.

UNIT / mm

SCALE 1:1

CHECKED BY CY

DRAWING BY

PROJECTION



TOLERANCES ARE

.X ± 0.2
.XX ±
.XXX ±
AWG

DESCRIPTION: 0.50mm BTB PLUG

AREA	REVISIONS	HK	DATE