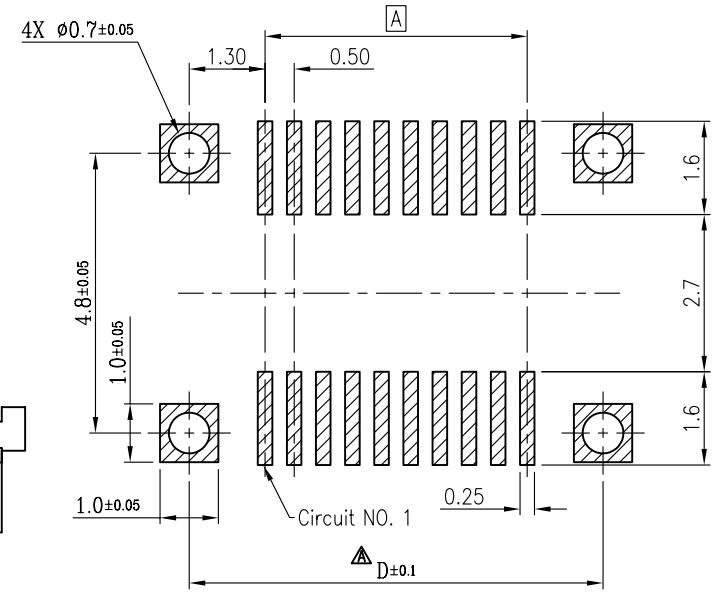
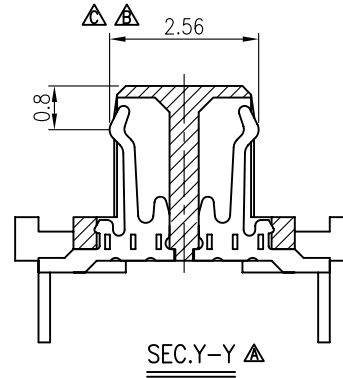
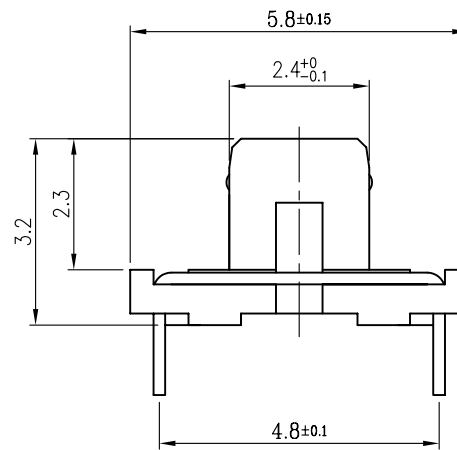
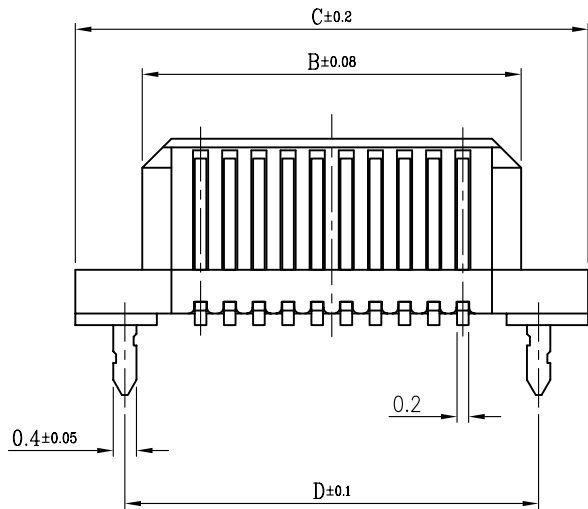


NOTES:
 MATERIAL:
 HOUSING: NYLON UL94V-0
 TERMINAL: COPPER ALLOY
 FITTING NAIL: COPPER ALLOY
 ▲ 2. PLATING:
 PLS. SEE ACES PLATING CODE (P/N LEGEND)



PCB LAYOUT



CKT	DIM A	DIM B	DIM C	DIM D
16	3.5	5.5	7.8	6.1
20	4.5	6.5	8.8	7.1
30	7.0	9.0	11.3	9.6
40	9.5	11.5	13.8	12.1
50	12.0	14.0	16.3	14.6
60	14.5	16.5	18.8	17.1
70	17.0	19.0	21.3	19.6
80	19.5	21.5	23.8	22.1
100	24.5	26.5	28.8	27.1
120	29.5	31.5	33.8	32.1

NP0524-S10M-xxx-LF

LEADFREE

RoHS Compliant

MORETHANALL
 CONNECTORS
 ASSEMBLIES

PART NO. NP0524- S10M -xxx

DWG NO. NP0524- S10M -xxx

CHECKED BY CY

TOLERANCES ARE

.X ± 0.2
 .XX ± 0.1
 .XXX ±
 AWG

DESCRIPTION:

0.5mm B-T-B D/R CONN.
 SMT S/T Type

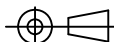
煜倫股份有限公司

UNIT / mm

SCALE 1:1

DRAWING BY

PROJECTION



AREA

REVISIONS

HK

DATE