

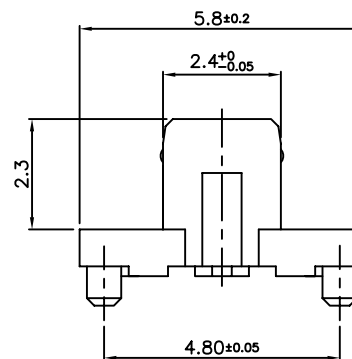
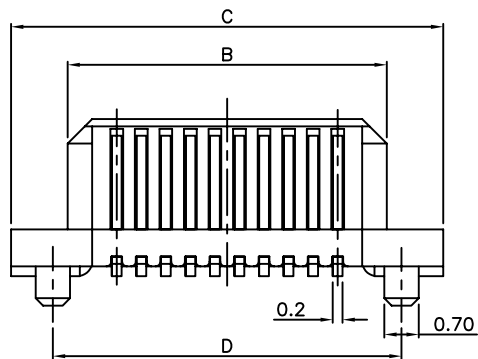
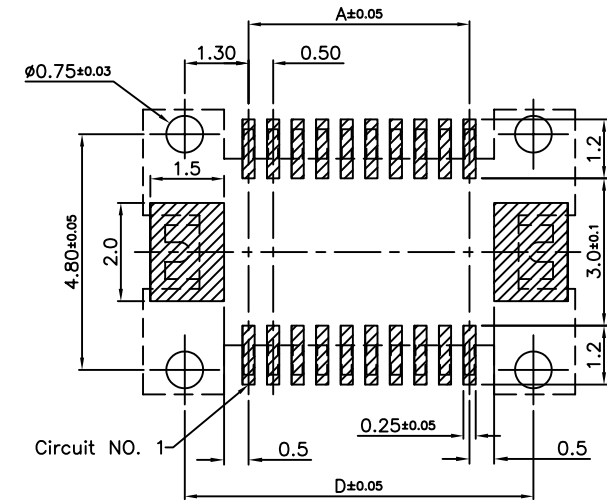
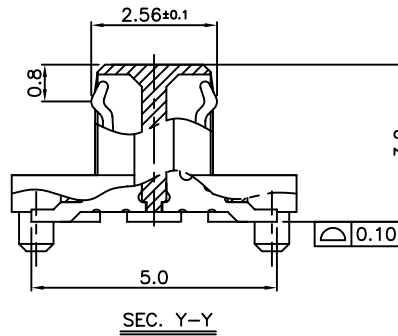
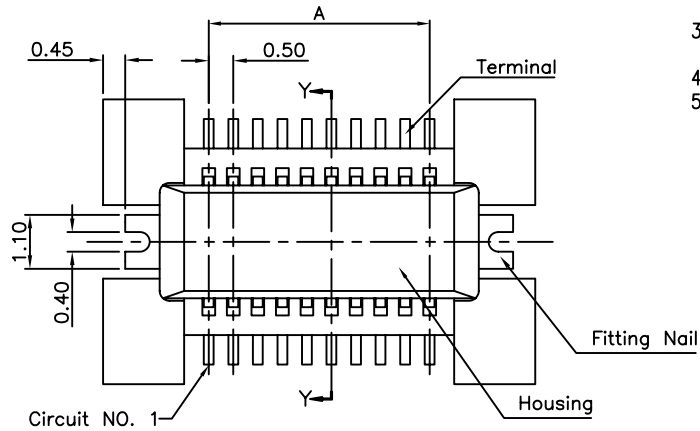
NP0524-S10A-xxx-LF

LEADFREE

RoHS Compliant

NOTES:

1. MATERIAL:
 - 1.1 HOUSING: THERMOPLASTIC, HIGH TEMP., UL94V-0; COLOR IS NATURAL.
 - 1.2 CONTACT: COPPER ALLOY
2. FINISH:
 - 2.1 CONTACT: GOLD FLASH OVER ALL
50~100u" NICKEL UNDERPLATING OVERALL.
3. IR REFLOW CAPABLE TO 260°C
PER ACES SPEC.
4. SPEC. PLS. REFER TO PS-88069-XXXX
5. PACKAGE PLS. REFER TO 88069-XXXXB-TRP



CKT	DIM A	DIM B	DIM C	DIM D
16	3.5	5.5	7.8	6.1
20	4.5	6.5	8.8	7.1
30	7.0	9.0	11.3	9.6
40	9.5	11.5	13.8	12.1
50	12.0	14.0	16.3	14.6
60	14.5	16.5	18.8	17.1
70	17.0	19.0	21.3	19.6
80	19.5	21.5	23.8	22.1
100	24.5	26.5	28.8	27.1
120	29.5	31.5	33.8	32.1

MORETHANALL
CONNECTORS
ASSEMBLIES

PART NO. NP0524-S10A-xxx

DWG NO. NP0524-S10A-xxx

FILE NO.

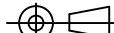
UNIT / mm

SCALE 1:1

CHECKED BY CY

DRAWING BY

PROJECTION



TOLERANCES ARE

.X ± 0.2
.XX ± 0.1
.XXX ±
AWG

DESCRIPTION:

AREA

REVISIONS

HK

DATE

煜倫股份有限公司