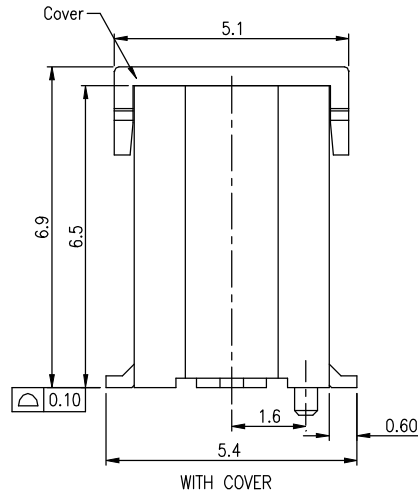
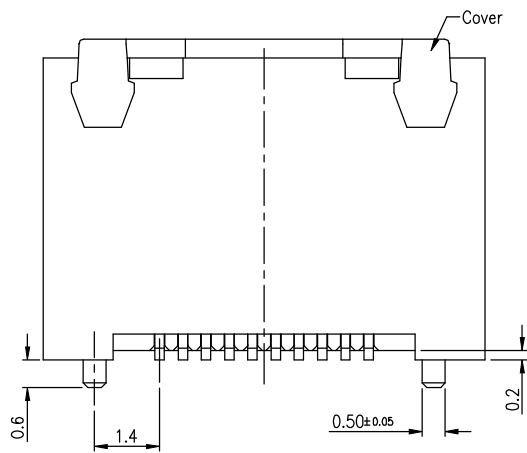


NOTES:
 1.MATERIAL:
 HOUSING:HIGH TEMP THERMOPLASTIC,UL94V-0
 TERMINAL:COPPER ALLOY
 PLATING: 50~100u" NICKEL UNDERPLATING OVER ALL GOLD FLASH
 FITTING NAIL:COPPER ALLOY
 PLATING: 50~100u" NICKEL UNDERPLATING OVER ALL GOLD FLASH

CKT	DIM A	DIM B	DIM C	DIM D
16	3.5	5.5	8.5	5.0
20	4.5	6.5	9.5	5.0
30	7.0	9.0	12.0	6.0
40	9.5	11.5	14.5	6.0
50	12.0	14.0	17.0	6.0
60	14.5	16.5	19.5	6.0
70	17.0	19.0	22.0	6.0
80	19.5	21.5	24.5	10.0
100	24.5	26.5	29.5	10.0
120	29.5	31.5	34.5	15.0
160	39.5	41.5	44.5	15.0
180	44.5	46.5	49.5	15.0
200	49.5	51.5	54.5	15.0



10~20PIN TYPE

RoHS Compliant

TOLERANCES ARE

MORETHANALL
 PCB CONNECTORS
 Cable ASSEMBLIES

DRAWING BY CY

X. ± 0.50

CHECKED BY GENIUS

.X ± 0.25

UNIT / mm

SCALE 1 : 1

.XX ± 0.15

DATE

.XXX ± 0.10

ANG ± 2°

SIZE A4

P PROJECTION

照片框

ORDER INFORMATION

NP0524-P65AC-xxx-LF

SERIES

LEADFREE

016~200WAY

CAP

POST+EAR

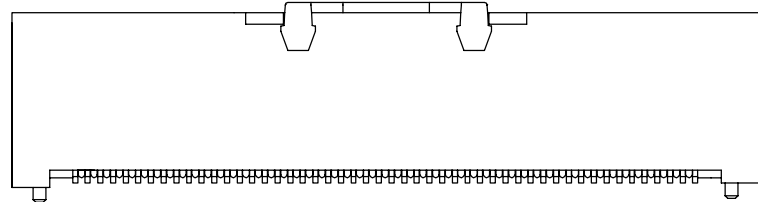
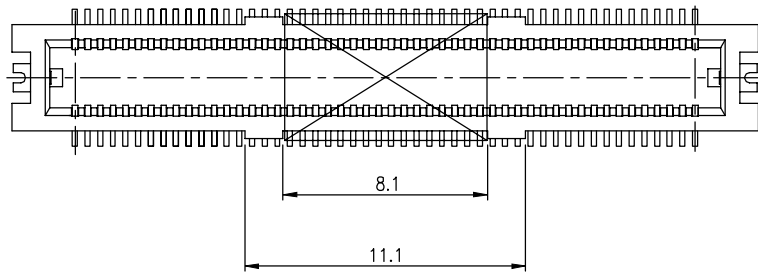
UNMATED HIGH 6.5mm

MALE

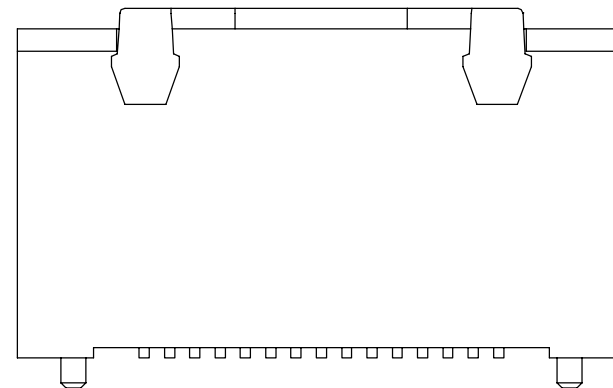
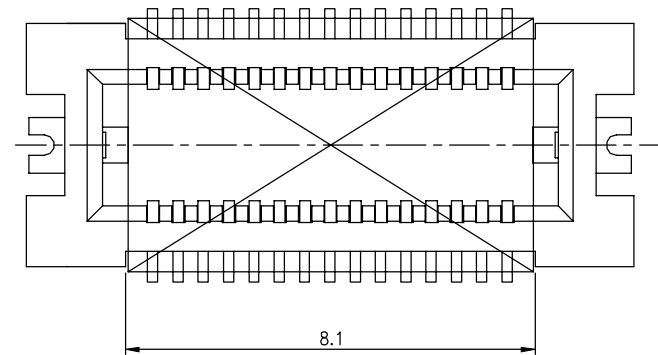
煜倫股份有限公司

www.morethanall.com

DESCRIPTION: 0.5mm BTB D/R CONN. SMT S/T TYPE



100~200PIN TYPE
(SCALE 1:2)



30~80PIN TYPE

RoHS Compliant

TOLERANCES ARE

MORETHANALL
PCB CONNECTORS
Cable ASSEMBLIES

煜倫股份有限公司

www.morethanall.com

DRAWING BY CY

CHECKED BY GENIUS

UNIT / mm

SCALE 1:1

DATE

SIZE A4

X. ± 0.50

.X ± 0.25

.XX ± 0.15

.XXX ± 0.10

ANG ± 2°

PPOJECTION

照片框

ORDER INFORMATION

NP0524-P65AC-xxx-LF

SERIES

LEADFREE

016~200WAY

CAP

POST+EAR

UNMATED HIGH 6.5mm

MALE

DESCRIPTION: 0.5mm BTB D/R CONN. SMT S/T TYPE