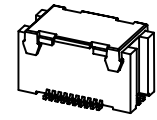
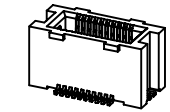


- NOTES:
 1.MATERIAL:
 HOUSING:NYLON 46 UL94V-0
 TERMINAL:COPPER ALLOY($t=0.2$)
 PLATING:Nickel 1.27 μ m min.
 Gold Flash over all °
 FITTING NAIL:COPPER ALLOY
 Gold Flash over all ($t=0.2$)
 2.COPLANARITY 0.1mm MAX.
 3.TRUE POSITION 0.1mm MAX.
 4.THE PRODUCT CAN MEET LEAD FREE PROCESS.
 5.THE SPEC PLS REFER TO 88069.
 6.THE PACKING DRAWING PLS REFER TO 88397. 4.8

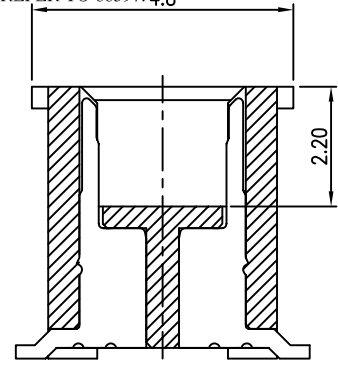
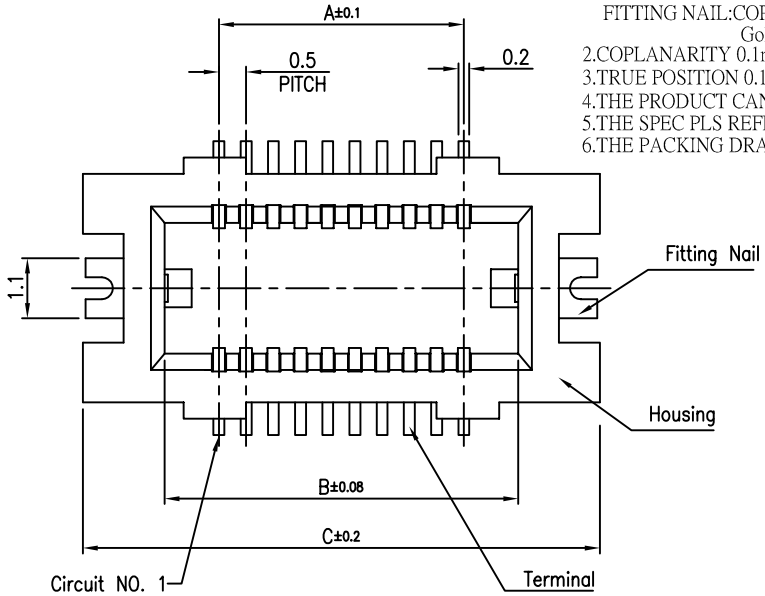


WITH COVER

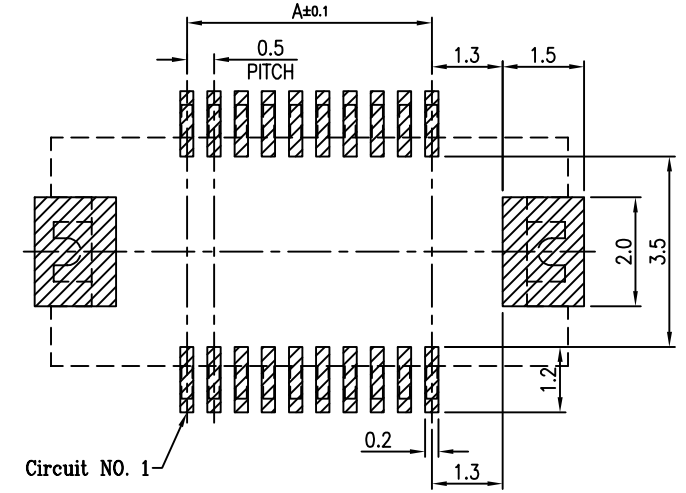


WITHOUT COVER

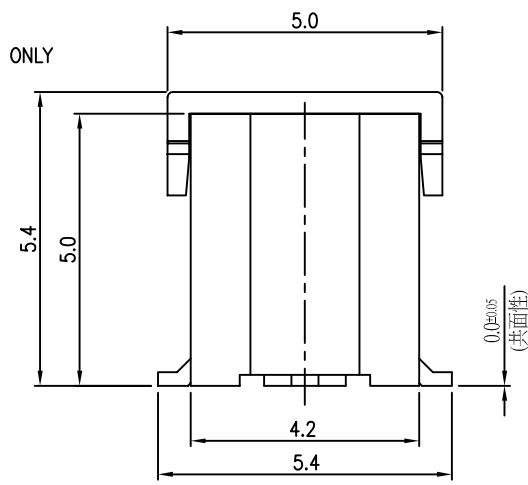
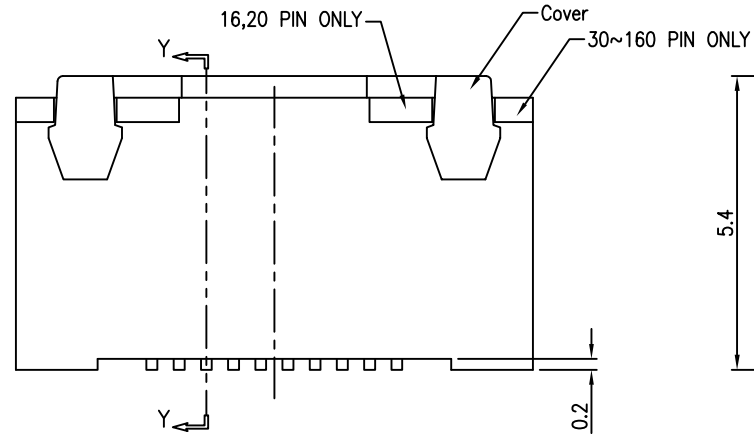
NP0524-P50EC-xxx-LF
 CAP LEADFREE
 RoHS Compliant



SEC. Y-Y



PCB PATTERN LAYOUT



CKT	DIM A	DIM B	DIM C
16	3.5	5.5	8.5
20	4.5	6.5	9.5
30	7.0	9.0	12.0
40	9.5	11.5	14.5
50	12.0	14.0	17.0
60	14.5	16.5	19.5
70	17.0	19.0	22.0
80	19.5	21.5	24.5
100	24.5	26.5	29.5
120	29.5	31.5	34.5
160	39.5	41.5	44.5



PART NO. NP0524-P50EC-xxx

DWG NO. NP0524-P50EC-xxx

FILE NO.

UNIT / mm

SCALE 1:1

CHECKED BY CY

DRAWING BY

PROJECTION

TOLERANCES ARE

.X ± 0.2
 .XX ± 0.1
 .XXX ±
 AWG

DESCRIPTION:

AREA

REVISIONS

REVISIONS

HK

HK

DATE

DATE

焯倫股份有限公司