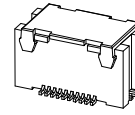
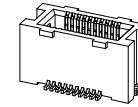


NOTES:

- MATERIAL:
HOUSING: NYLON 46 UL94V-0
TERMINAL: COPPER ALLOY (t=0.2)
PLATING: Nickel 1.27 μm min.
Gold Flash over all •
FITTING NAIL: COPPER ALLOY
Gold Flash over all (t=0.2)
- COPLANARITY 0.1mm MAX.
- TRUE POSITION 0.1mm MAX.
- THE PRODUCT CAN MEET LEAD FREE PROCESS.
- THE SPEC PLS REFER TO 88069.



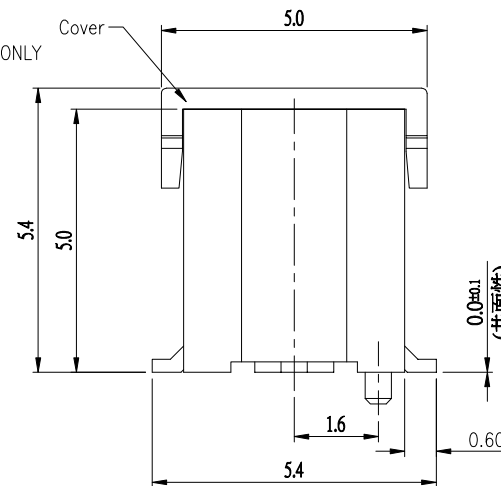
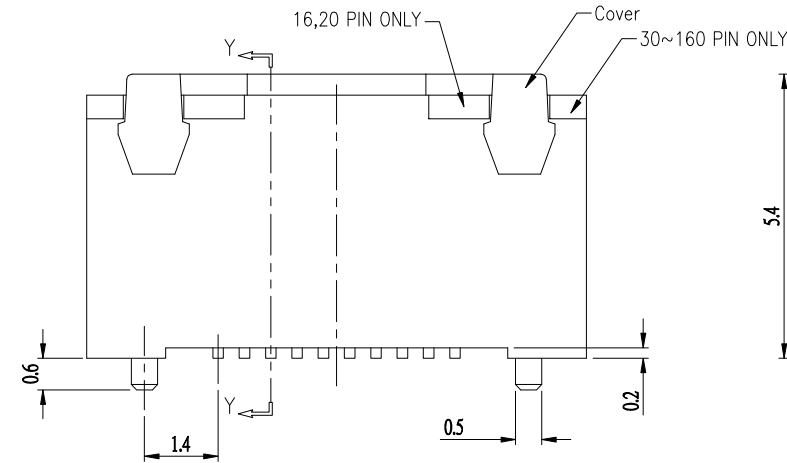
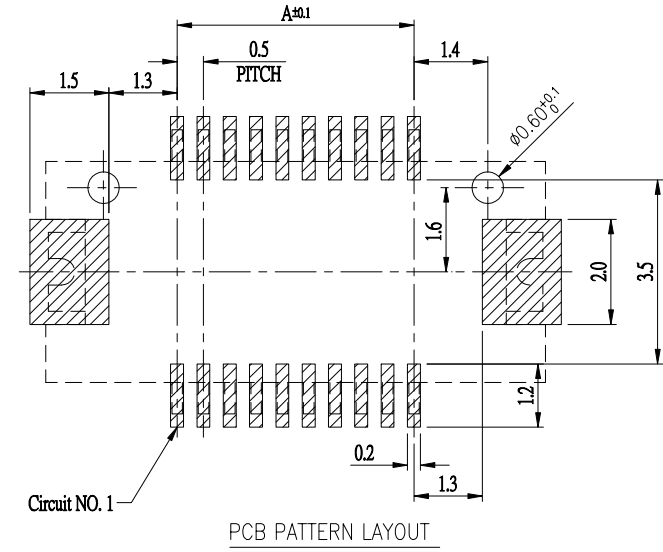
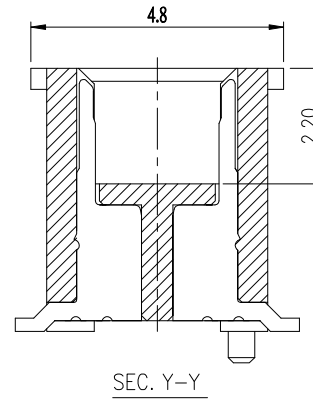
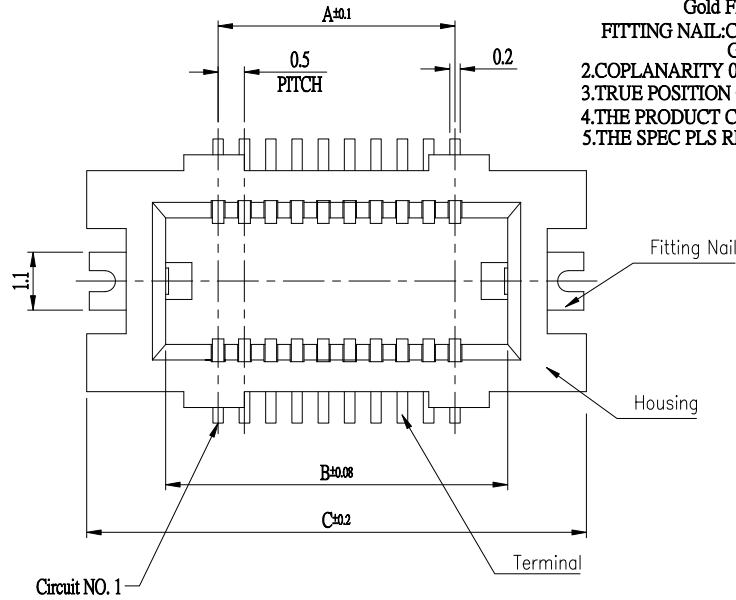
WITH COVER



WITHOUT COVER

NP0524-P50AC-xxx-LF
CAP LEADFREE

RoHS Compliant



CKT	DIM A	DIM B	DIM C
16	3.5	5.5	8.5
20	4.5	6.5	9.5
30	7.0	9.0	12.0
40	9.5	11.5	14.5
50	12.0	14.0	17.0
60	14.5	16.5	19.5
70	17.0	19.0	22.0
80	19.5	21.5	24.5
100	24.5	26.5	29.5
120	29.5	31.5	34.5
160	39.5	41.5	44.5



PART NO. NP0524-P50AC-xxx

DWG NO. NP0524-P50AC-xxx

FILE NO.

UNIT / mm

SCALE 1:1

CHECKED BY CY

DRAWING BY

PROJECTION

TOLERANCES ARE

- .X ± 0.2
- .XX ± 0.1
- .XXX ±
- AWG

DESCRIPTION:

AREA	REVISIONS	HK	DATE

煜倫股份有限公司