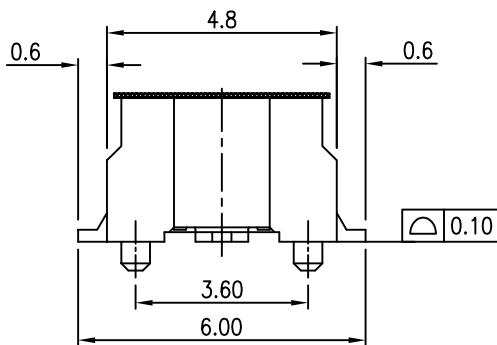
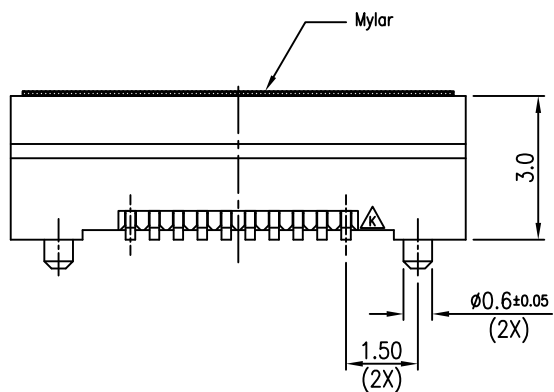
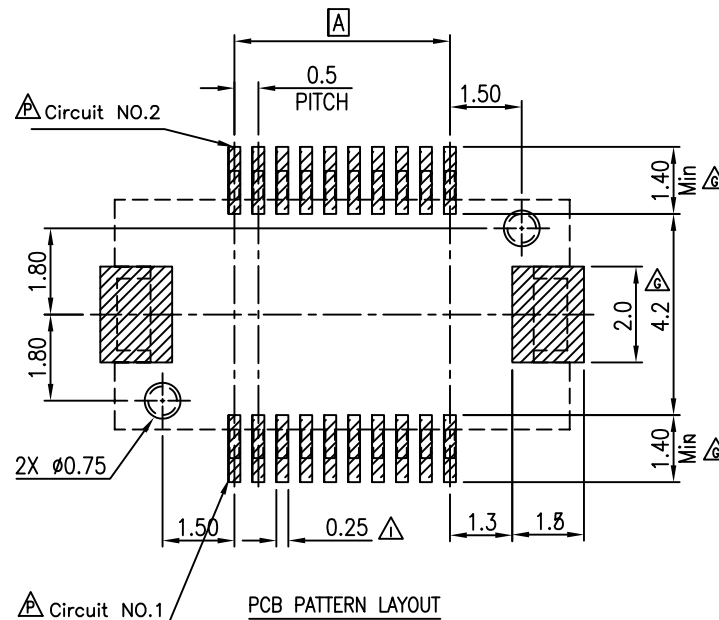
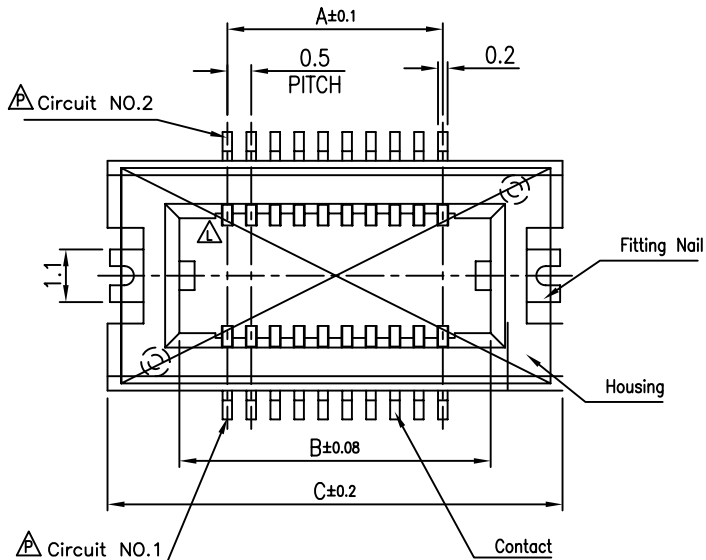


- NOTES:
 1. MATERIAL:
 1.1 HOUSING: THERMOPLASTIC, HIGH TEMP., UL94V-0; COLOR:NATURAL.
 1.2 CONTACT: COPPER ALLOY
 1.3 FITTING NAIL: COPPER ALLOY
 2. FINISH:
 2.1 CONTACT: PER ACES PLATING CODE.
 2.2 FITTING NAIL: PER ACES PLATING CODE.
 3. REFLOW SOLDER CAPABLE TO 260°C



CKT	Dim A	Dim B	Dim C
16	3.5	5.5	8.5
20	4.5	6.5	9.5
26	6.0	8.0	11.0
30	7.0	9.0	12.0
40	9.5	11.5	14.5
50	12.0	14.0	17.0
60	14.5	16.5	19.5
70	17.0	19.0	22.0
80	19.5	21.5	24.5
100	24.5	26.5	29.5
120	29.5	31.5	34.5

NP0524-P30AC-xxx-LF
LEADFREE

RoHS Compliant



PART NO. NP0524-P30AC-xxx

DWG NO. NP0524-P30AC-xxx

FILE NO.

UNIT / mm

SCALE 1:1

CHECKED BY CY

DRAWING BY

PROJECTION

TOLERANCES ARE

.X ± 0.2
.XX ± 0.1
.XXX ±
AWG

DESCRIP TION:

0.5mm BTB PLUG
SMT D/R S/T TYPE

AREA

REVISIONS

HK

DATE

煜倫股份有限公司