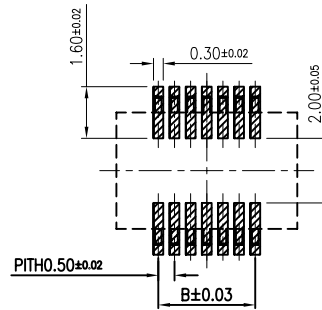


RECOMMENDED PCB LAYOUT
GENERAL TOLERANCE ±0.05
WITH BOSS WITH FITTING NAIL



RECOMMENDED PCB LAYOUT
GENERAL TOLERANCE ±0.05
WITHOUT BOSS WITHOUT FITTING NAIL

NOTES:

1. MATERIAL:

1.1 HOUSING: THERMOPLASTIC, HIGH TEMP.,
UL94V-0; COLOR IS NATURAL.

1.2 CONTACT: COPPER ALLOY

2. FINISH:

2.1 CONTACT:

GOLD FLASH

50u" MIN. NICKEL UNDERPLATING OVERALL.

3. IR REFLOW CAPABLE TO 260°C

CKT	DIM A	DIM B	DIM C	DIM D	DIM E	DIM F	DIM G	MYLAR-A H	MYLAR-B H
010	4.7	2.00	2.80	3.20	4.10	2.8	5.5	3.0	3.0
014	5.7	3.00	3.80	4.20	5.10	3.8	6.5	3.0	5.0
020	7.2	4.50	5.30	5.70	6.60	5.3	8.0	5.0	5.0
030	9.7	7.00	7.80	8.20	9.10	7.8	10.5	6.0	6.0
032	10.2	7.50	8.30	8.70	9.60	8.3	11.0	6.0	6.0
036	11.2	8.50	9.30	9.70	10.60	9.3	12.0	6.0	6.0
040	12.2	9.50	10.30	10.70	11.60	10.3	13.0	6.0	6.0
050	14.7	12.00	12.80	13.20	14.10	12.8	15.5	6.0	6.0
060	17.2	14.50	15.30	15.70	16.60	15.3	18.0	6.0	6.0
080	22.2	19.50	20.30	20.70	21.60	20.3	23.0	6.0	6.0

RoHS Compliant

TOLERANCES ARE

MORETHANALL
PCB CONNECTORS
Cable ASSEMBLIES

DRAWING BY CY

X. ± 0.50

CHECKED BY GENIUS

.X ± 0.25

UNIT / mm

SCALE 1 : 1

.XX ± 0.15

DATE

.XXX ± 0.10

ANG ± 2°

SIZE A4

PJECTION

照片框

ORDER INFORMATION

NP0524-P23EP2C-xxx-LF

SERIES

LEADFREE

010-080WAY

MYLAR

EAR+POST

MALE

UNMATED HIGH 2.30mm

煜倫股份有限公司

www.morethanall.com

DESCRIPTION: 0.5mm BTB CONNECTOR PLUG D/R S/T SMT TYPE