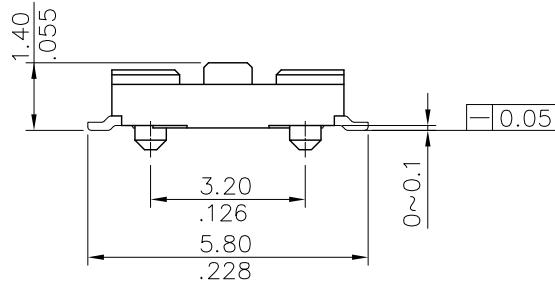
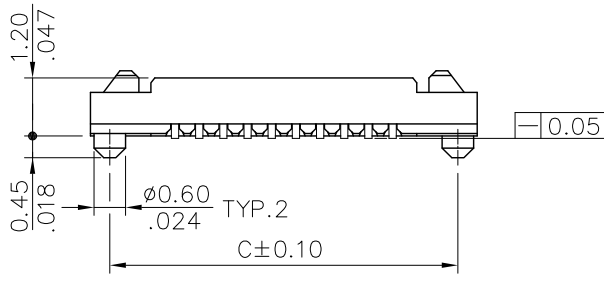


Recommended P.C. Board Layout



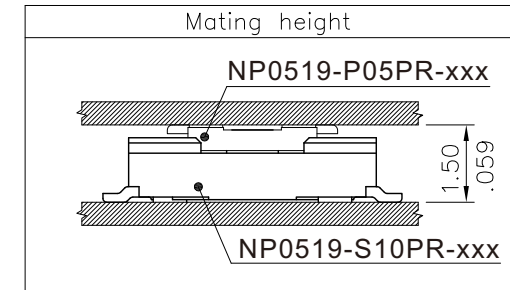
Material:

- * Insulator: High temperature Polyamide UL 94V-0 Color Nature(Beige)(Halogen-Free)
- * Contact: Copper alloy

A = 0.50 * No. of Spaces
 B = A + 3.5
 C = A + 2.7
 D = A + 1.5

*(Available : 10,16,20,22)

Circuits not found above
 please consult manufacturer



RoHS Compliant

TOLERANCES ARE

MORETHANALL
 PCB CONNECTORS
 Cable ASSEMBLIES

DRAWING BY CY

CHECKED BY GENIUS

UNIT / mm SCALE 1 : 1

DATE

SIZE A4 PPROJECTION

X, ±
 .X ± 0.25
 .XX ± 0.13
 .XXX ± 0.08
 ANG ±

照片框

ORDER INFORMATION

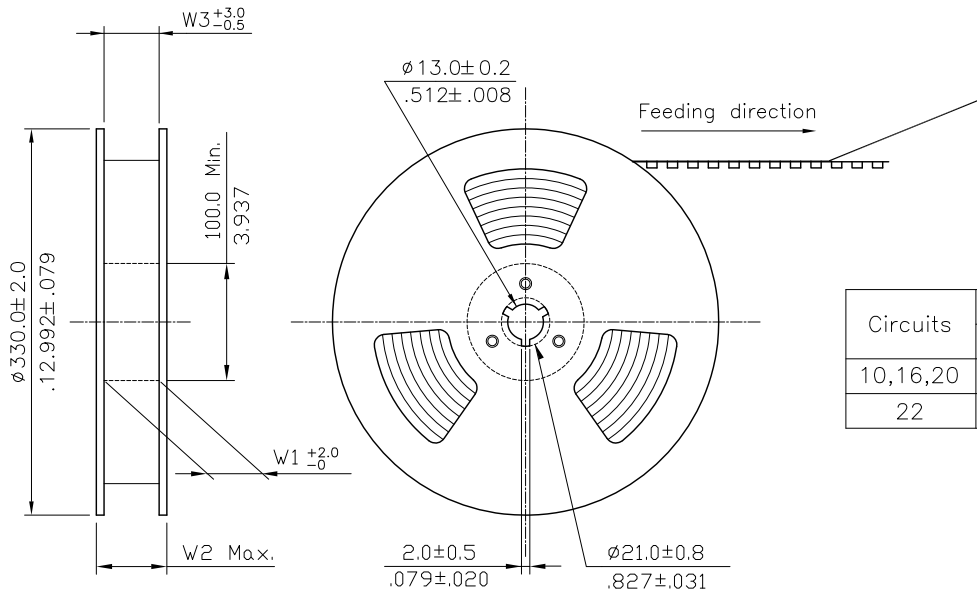
NP0519-S10PR-xxx-LF

SERIES | | | | LEADFREE
 | | | | 010-022 WAY
 | | | | REEL
 | | | | POST
 | | | | UNMATED HIGH 1.0mm
 | | | | MALE

DESCRIPTION:

煜倫股份有限公司

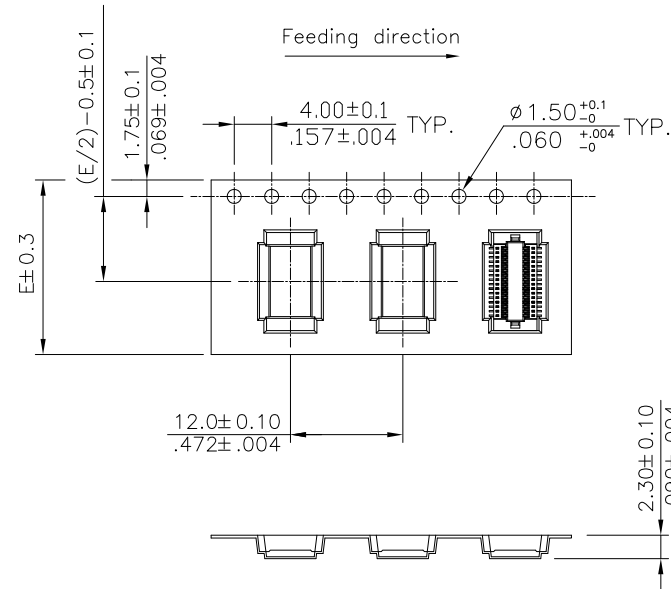
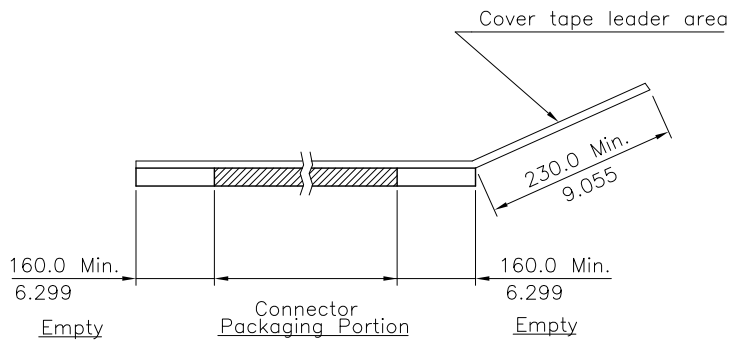
www.morethanall.com



NOTES:

1. 10 sprocket hole pitch cumulative tolerance ± 0.20 .
2. Carrier camber is within 1 mm in 250 mm.
3. Material : Clear,Transparent Polystyrene Alloy (UP-6000).
4. All dimensions meet EIA-481-B requirements.
5. Thickness : 0.30 ± 0.05 mm.
6. Packing length per 22" reel : 75 Meters.
7. Component load per 13" reel : 2000 pcs.

Circuits	Dimension					Packing (Reel/Caton)
	E	F	W1	W2	W3	
10,16,20	16.0(.630)	-	16.5(.650)	22.5(.886)	16.5(.650)	11
22	24.0(.945)	-	24.5(.965)	30.5(1.200)	24.5(.965)	9



WIDTH : 16,24 mm Carrier

RoHS Compliant

TOLERANCES ARE

MORETHANALL
PCB CONNECTORS
Cable ASSEMBLIES

DRAWING BY CY

X, ±
.X ± 0.25
.XX ± 0.13
.XXX ± 0.08
ANG ±

CHECKED BY GENIUS

UNIT / mm SCALE 1 : 1

DATE

SIZE A4

PJECTION

照片框

ORDER INFORMATION

NP0519-S10PR-xxx-LF

SERIES | | | | LEADFREE
| | | | 010-022 WAY
| | | | REEL
| | | | POST
| | | | UNMATED HIGH 1.0mm
| | | | MALE

DESCRIPTION:

煜倫股份有限公司

www.morethanall.com