

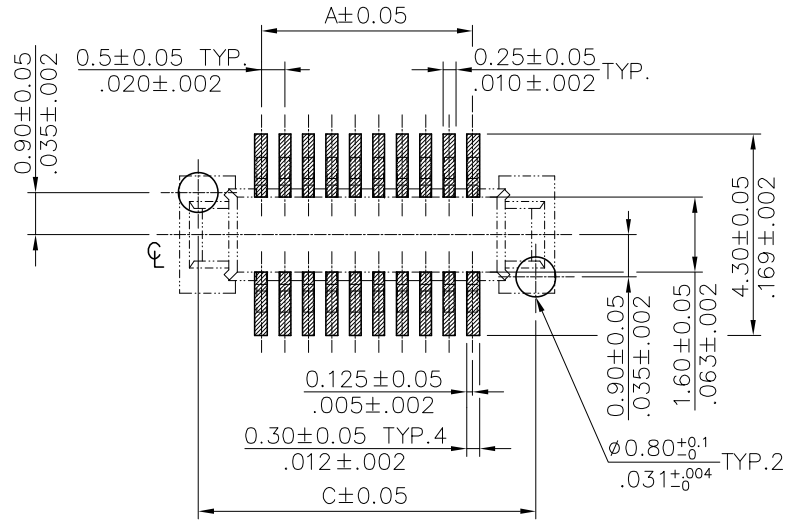
Material:

\* Insulator:

High temperature Polyamide UL 94V-0

Color Nature(Beige)(Halogen-Free)

\* Contact: Copper alloy



Recommended P.C. Board Layout

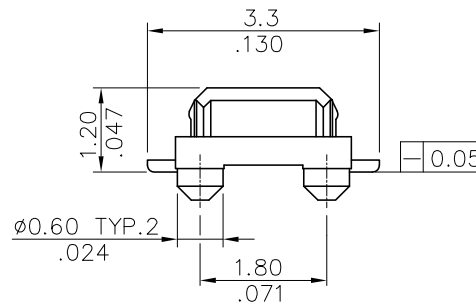
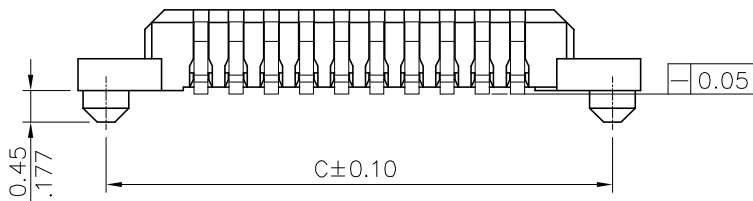
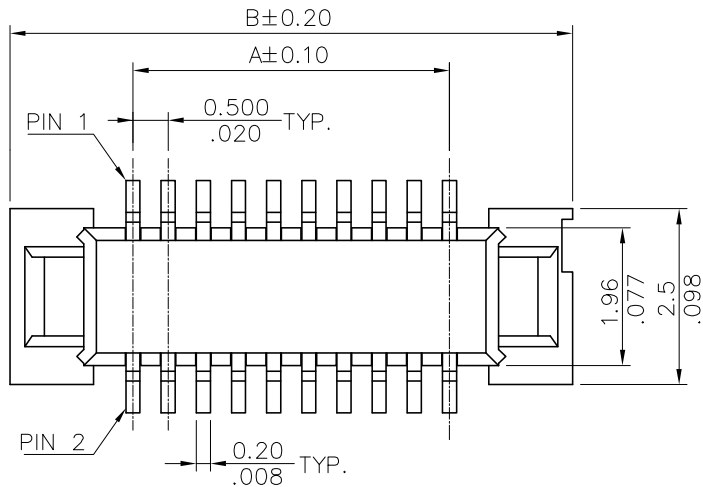
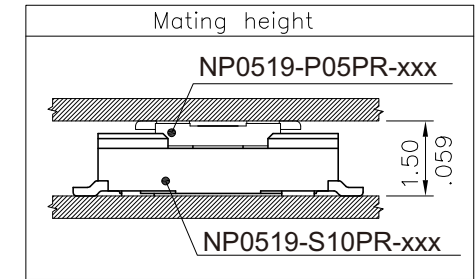
$A = 0.50 * \text{No. of Spaces}$

$B = A + 3.5$

$C = A + 2.7$

\*(Available : 10,16,20,22)

Circuits not found above  
please consult manufacturer



RoHS Compliant

TOLERANCES ARE

**MORETHANALL**  
PCB CONNECTORS  
Cable ASSEMBLIES

DRAWING BY CY

CHECKED BY GENIUS

UNIT / mm

SCALE 1 : 1

DATE

SIZE A4

PJECTION

X, ±  
.X ± 0.25  
.XX ± 0.13  
.XXX ± 0.08  
ANG ±

照片框

ORDER INFORMATION

NP0519-P05PR-xxx-LF

SERIES

REEL

POST

UNMATED HIGH 0.5mm

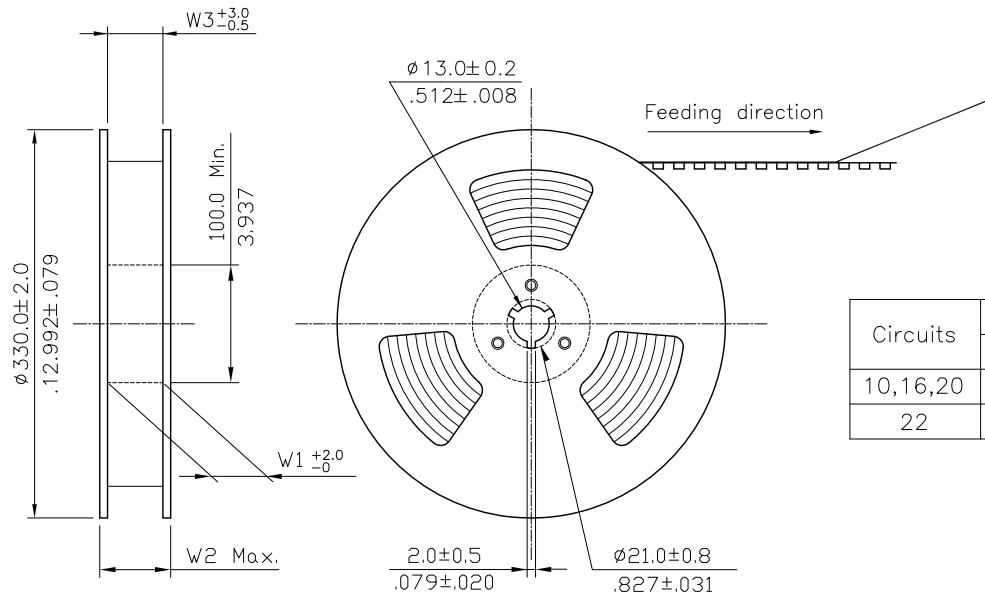
MALE

LEADFREE  
010-022 WAY

煜倫股份有限公司

www.morethanall.com

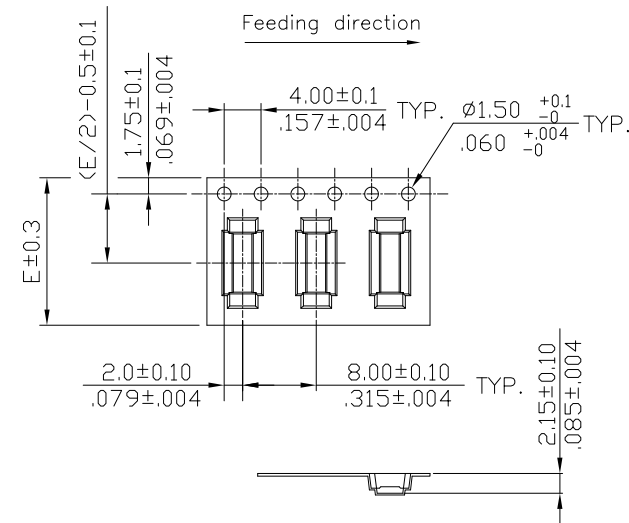
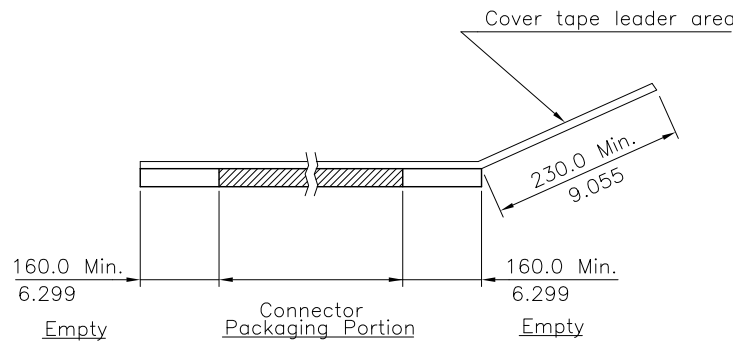
DESCRIPTION:



NOTES:

1. 10 sprocket hole pitch cumulative tolerance  $\pm 0.20$  .
2. Carrier camber is within 1 mm in 250 mm.
3. Material : Clear,Transparent Polystyrene Alloy (UP-6000).
4. All dimensions meet EIA-481-B requirements.
5. Thickness :  $0.30 \pm 0.05$ mm.
6. Packing length per 22" reel : 67 Meters.
7. Component load per 13" reel : 2000 pcs.

Circuits	Dimension					Packing (Reel/Caton)
	E	F	W1	W2	W3	
10,16,20	16.0(.630)	-	16.5(.650)	22.5(.886)	16.5(.650)	11
22	24.0(.945)	-	24.5(.965)	30.5(1.200)	24.5(.965)	9



WIDTH : 16,24 mm Carrier

RoHS Compliant

TOLERANCES ARE

**MORETHANALL**  
PCB CONNECTORS  
Cable ASSEMBLIES

DRAWING BY CY

X.  $\pm$

CHECKED BY GENIUS

.X  $\pm$

UNIT / mm

SCALE 1 : 1

.XX  $\pm$

DATE

.XXX  $\pm$

ANG  $\pm$

照片框

ORDER INFORMATION

NP0519-P05PR-xxx-LF

SERIES

LEADFREE

REEL

POST

UNMATED HIGH 0.5mm

MALE

010-022 WAY

煜倫股份有限公司

www.morethanall.com

SIZE A4

PJECTION

DESCRIPTION: