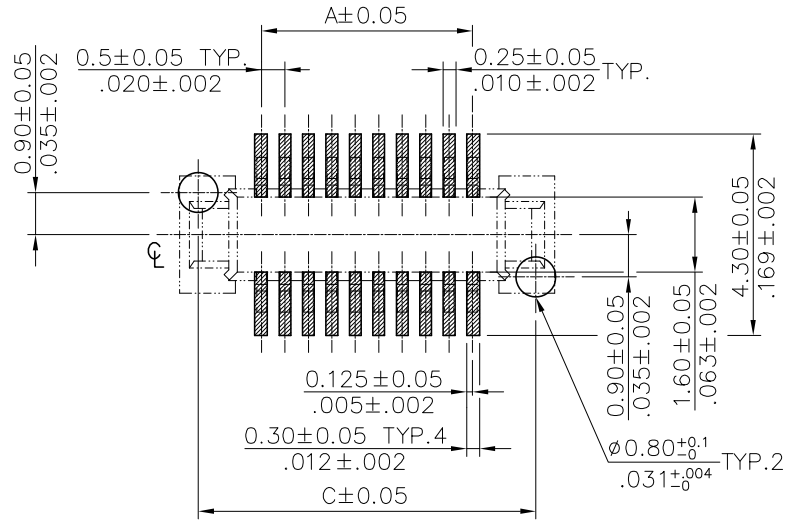


Material:

\* Insulator:

High temperature Polyamide UL 94V-0  
Color Nature(Beige)(Halogen-Free)

\* Contact: Copper alloy



Recommended P.C. Board Layout

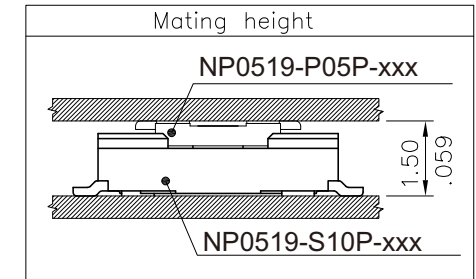
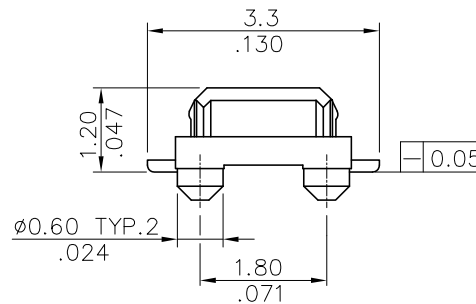
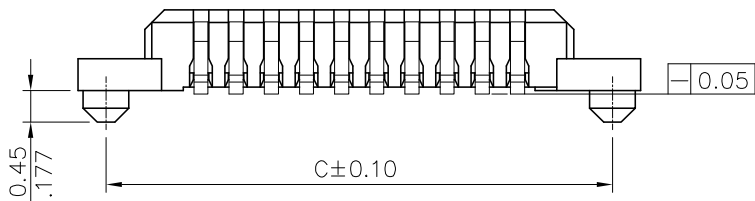
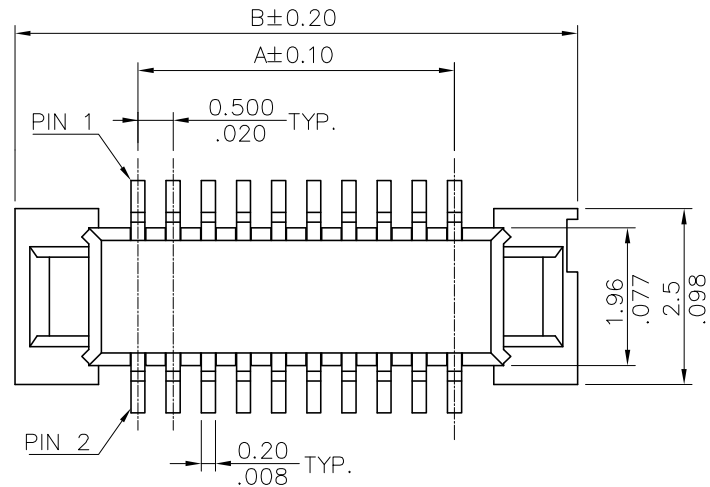
$A = 0.50 * \text{No. of Spaces}$

$B = A + 3.5$

$C = A + 2.7$

\*(Available : 10,16,20,22)

Circuits not found above  
please consult manufacturer



RoHS Compliant

TOLERANCES ARE

**MORETHANALL**  
PCB CONNECTORS  
Cable ASSEMBLIES

DRAWING BY CY

CHECKED BY GENIUS

UNIT / mm

SCALE 1 : 1

DATE

SIZE A4

PJECTION

X. ±  
.X ± 0.25  
.XX ± 0.13  
.XXX ± 0.08  
ANG ±

照片框

ORDER INFORMATION

NP0519-P05P-xxx-LF

SERIES

LEADFREE

010-022 WAY

POST

UNMATED HIGH 0.5mm

MALE

煜倫股份有限公司

www.morethanall.com

DESCRIPTION: