

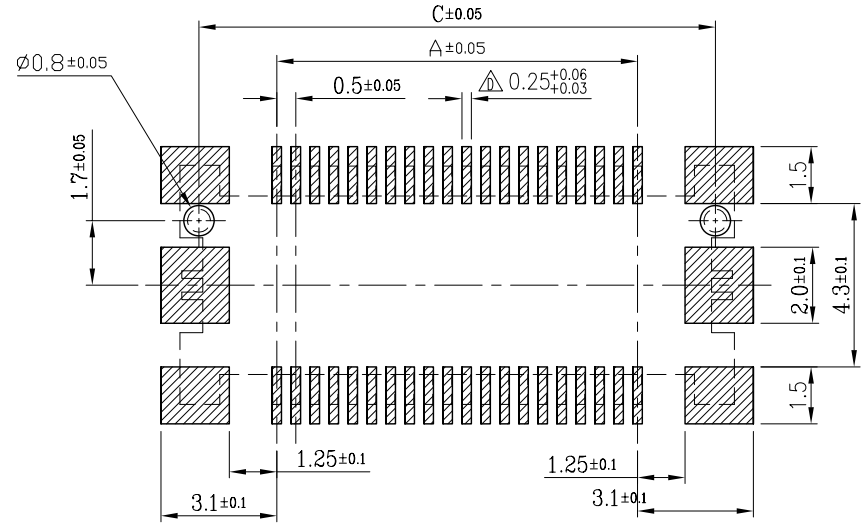
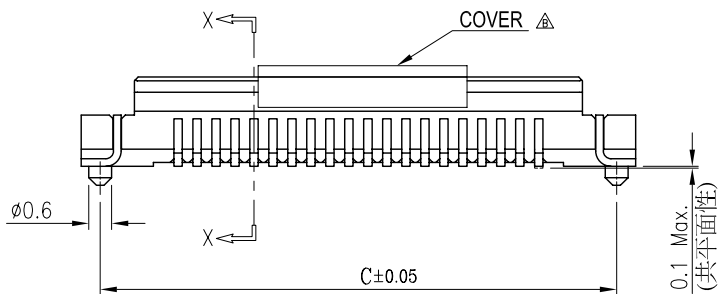
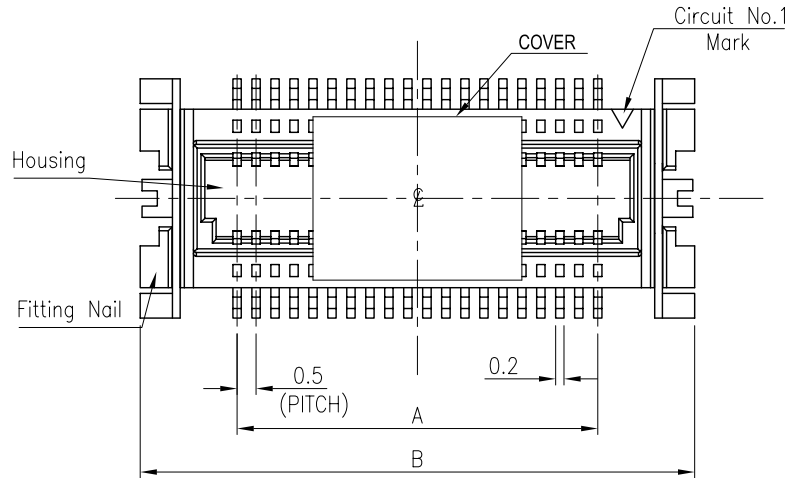
NOTES:

MATERIAL:

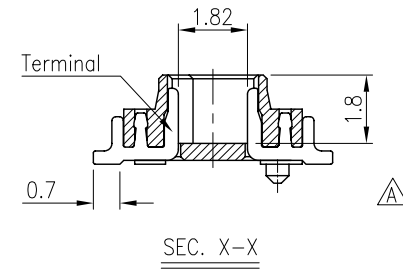
HOUSING: NYLON UL94V-0
 TERMINAL: PHOSPHOR BRONZE
 FITTING NAIL: PHOSPHOR BRONZE

△ 2. PLATING:

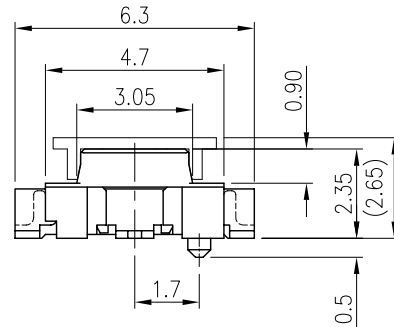
PLS SEE ACES PLATING CODE (P/N LEGEND)



PC BOARD LAYOUT



CKT	DIM A	DIM B	DIM C
10	2.0	7.1	6.1
14	3.0	8.1	7.1
16	3.5	8.6	7.6
20	4.5	9.6	8.6
22	5.0	10.1	9.1
24	5.5	10.6	9.6
30	7.0	12.1	11.1
34	8.0	13.1	12.1
40	9.5	14.6	13.6
44	10.5	15.6	14.6
50	12.0	17.1	16.1
60	14.5	19.6	18.6
80	19.5	24.6	23.6
100	24.5	29.6	28.6
120	29.5	34.6	33.6
140	34.5	39.6	38.6
160	39.5	44.6	43.6



RoHS Compliant

TOLERANCES ARE

MORETHANALL
 PCB CONNECTORS
 Cable ASSEMBLIES

DRAWING BY CY
 CHECKED BY GENIUS
 UNIT / mm SCALE 1 : 1
 DATE

X, ±
 .X ±
 .XX ±
 .XXX ±
 ANG ±

煜倫股份有限公司

SIZE A4 PPROJECTION

照片框

ORDER INFORMATION

NP0518F-P15PC-xxx-LF

SERIES
 LEADFREE
 010-100WAY
 MYLAR
 POST
 UNMATED HIGH/ 1.5mm
 MALE

DESCRIPTION: 0.5mm BTB D/R CONN. SMT S/T TYPE

www.morethanall.com