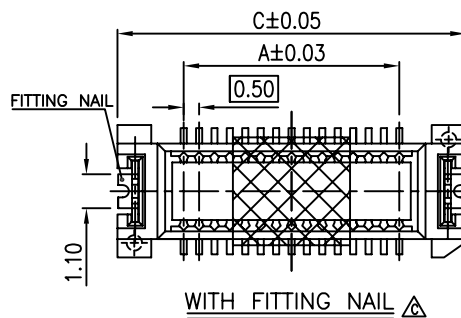


RECOMMENDED PCB LAYOUT  
(WITH FITTING NAIL WITHOUT BOSS)⚠



Notes:

1. Material:  
Housing is High Temperature Thermoplastic  
Terminal is Brass thickness is 0.15 mm
2. Plating:  
1.27 um min. Nickel over all  
Gold Flash all over
3. Coplanarity is 0.1 mm max. on datum A
4. True-position is 0.1 mm max. on datum B

P/N	Ckts	Dim A	Dim B	Dim C
NP0518-P07ECR-020	20	4.50	5.24	8.80
NP0518-P07ECR-030	30	7.00	7.74	11.30
NP0518-P07ECR-040	40	9.50	10.24	13.80
NP0518-P07ECR-050	50	12.00	12.74	16.30
NP0518-P07ECR-060	60	14.50	15.24	18.80
NP0518-P07ECR-070	70	17.00	17.74	21.30
NP0518-P07ECR-080	80	19.50	20.24	23.80

RoHS Compliant

TOLERANCES ARE

**MORETHANALL**  
PCB CONNECTORS  
Cable ASSEMBLIES

DRAWING BY CY

X. ±

CHECKED BY GENIUS

.X ±

UNIT / mm

SCALE 1 : 1

.XX ±

DATE

.XXX ±

ANG ±

SIZE A4

PPOJECTION

照片框

ORDER INFORMATION

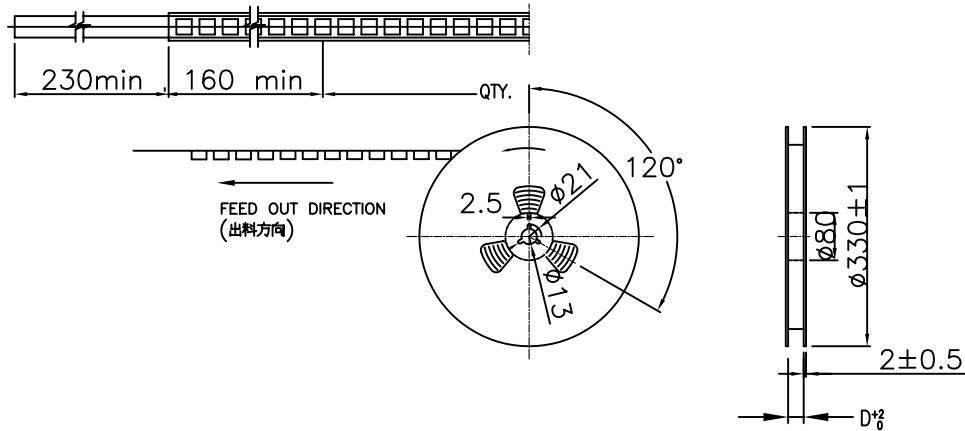
NP0518-P07ECR-xxx-LF

SERIES | | | | LEADFREE  
020-080WAY  
REEL  
MYLAR  
MALE | EAR  
UNMATED HIGH/ 0.7mm

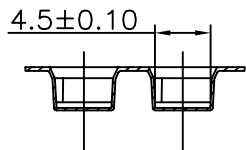
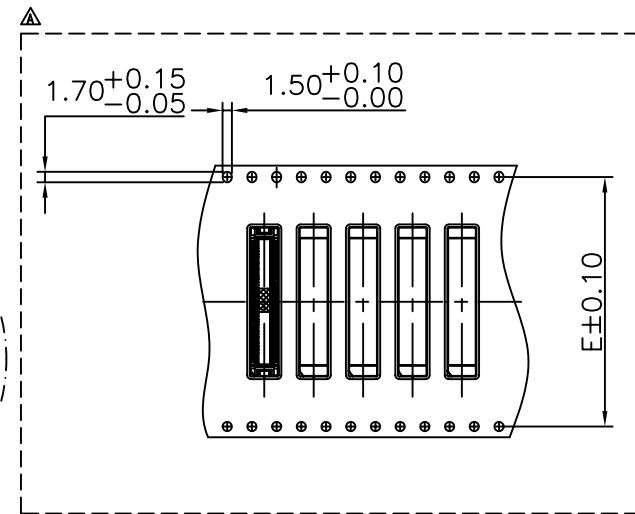
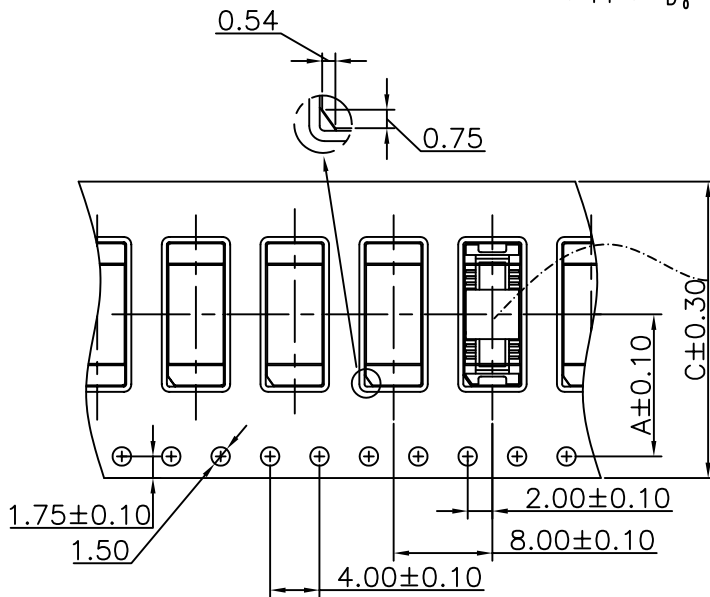
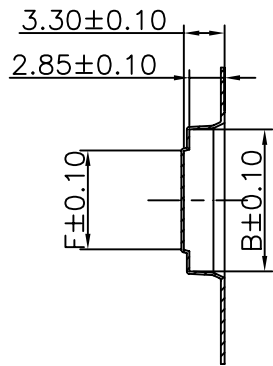
煜倫股份有限公司

www.morethanall.com

DESCRIPTION: 0.5 mm BTB SMT D/R Plug Type (insert molding)



CKT.	A	B	C	D	E	F
30	11.50	11.50	24.00	24.40	N/A	8.00
40		14.00				10.50
80	20.20	24.00	44.00	44.40	40.40	20.50



RoHS Compliant

TOLERANCES ARE

**MORETHANALL**  
PCB CONNECTORS  
Cable ASSEMBLIES

DRAWING BY CY

X. ±

CHECKED BY GENIUS

.X ±

UNIT / mm

SCALE 1 : 1

.XX ±

DATE

.XXX ±

ANG ±

SIZE A4

PJECTION

照片框

ORDER INFORMATION

NP0518-P07ECR-xxx-LF

SERIES

|

|

|

|

|

|

|

LEADFREE

MALE

EAR

MYLAR

REEL

020-080WAY

UNMATED HIGH/ 0.7mm

煜倫股份有限公司

www.morethanall.com

DESCRIPTION: 0.5 mm BTB SMT D/R Plug Type (insert molding)