

NOTES:

1. MATERIALS:

HOUSING: THERMAL PLASTIC UL94V-0, COLOR: BLACK.

TERMINAL: COPPER ALLOY

2. PLATE:

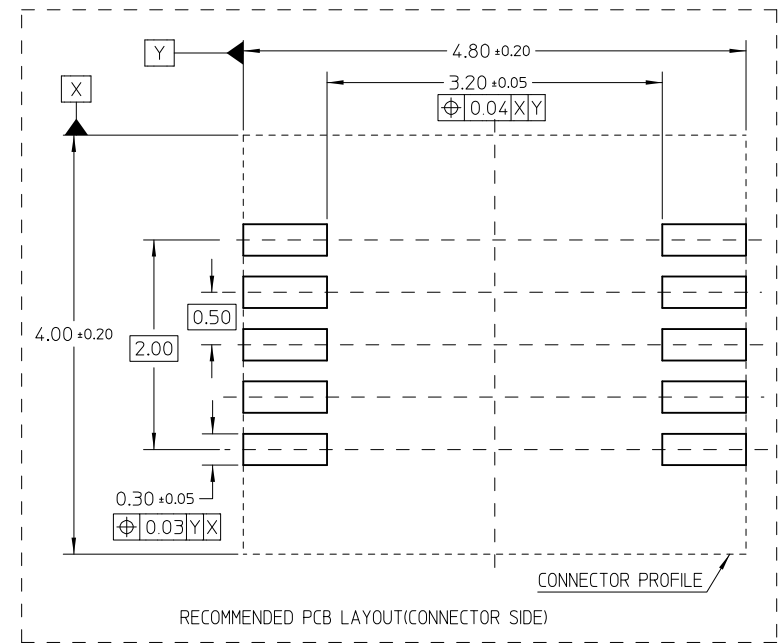
TERMINAL:

CONTACT AREA: GOLD FLASH PLATED

SOLDER TAIL: GOLD FLASH PLATED.

UNDER PLATING: 1.27 MICRON NICKEL MINIMUM PLATED OVERALL.

6. ALL CONNECTOR IS ROHS COMPLIANCE



RoHS Compliant

TOLERANCES ARE

MORETHANALL
PCB CONNECTORS
Cable ASSEMBLIES

DRAWING BY CY

X, ±

CHECKED BY GENIUS

.X ±

UNIT / mm

SCALE 1 : 1

.XX ±

DATE

.XXX ±

ANG ±

煜倫股份有限公司

www.morethanall.com

SIZE A4

P PROJECTION

照片框

ORDER INFORMATION

NP0517-P01X-010-LF

SERIES

|

|

|

|

|

|

|

|

|

|

|

|

|

|

|

|

|

|

|

|

|

|

|

|

LEADFREE
10 WAY
NON POST
UNMATED HIGH 1.2mm
PLUG

DESCRIPTION: BOARD TO BOARD CONNECTOR 0.50MM PITCH, 10 CIRCUITS 1.50MM MATING HEIGHT