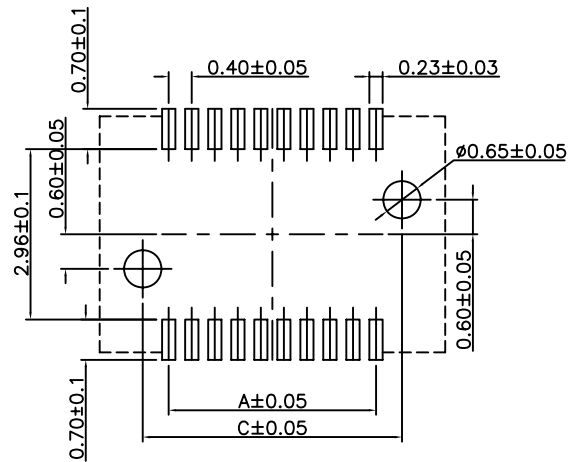
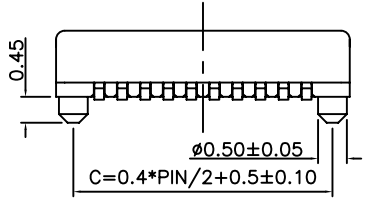


Specifications

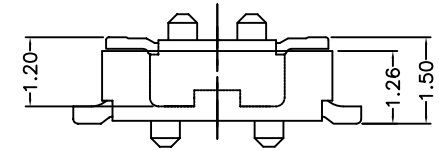
1. Current Rating : 0.3A AC/DC
2. Voltage Rating : 50V AC/DC
3. Contact Resistance : 40m ohm. max.
4. Insulation Resistance : 100M ohm. min.at 100V DC
5. Withstanding Voltage :100V AC for one minute
6. Operating Temperature Range : -25° C to +85° C

Material and Plating

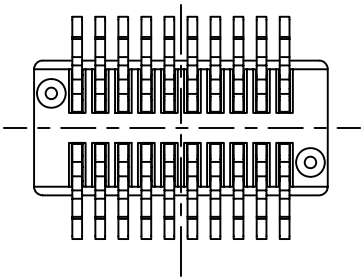
- 1.Housing : LCP (Natural Color)UL94V-0
 - 2.Contact : Phosphor Bronze
 - 3.Plating : 3u" Gold Flash
- Number Of Connectors:2500pcs/Reel



PCB LAYOUT



Mating Height Draw (Reference)



Contact Dimension

N(PIN)	DIM.A	DIM.B	DIM.C	N(PIN)	DIM.A	DIM.B	DIM.C
16P	2.80	4.30	3.70	40P	7.60	9.10	8.50
20P	3.60	5.10	4.50	50P	9.60	11.10	10.50
24P	4.40	5.90	5.30	60P	11.60	13.10	12.50
30P	5.60	7.10	6.50	70P	13.60	15.10	14.50
32P	6.00	7.50	6.90	80P	15.60	17.10	16.50
34P	6.40	7.90	7.30				

RoHS Compliant



煜倫股份有限公司

www.morethanall.com

DRAWING BY CY
 CHECKED BY GENIUS
 UNIT / mm SCALE 1 : 1
 DATE

TOLERANCES ARE

X. ±
.X ±
.XX ±
.XXX ±
ANG ±

SIZE A4 PROJECTION



ORDER INFORMATION

NP0423-P02P-xxx-LF
 SERIES | | LEADFREE
 | | 016-080WAY
 | POST
 | UNMATED HIGH 0.2mm
 | PLUG

DESCRIPTION: