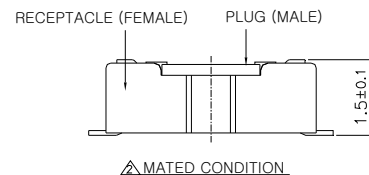
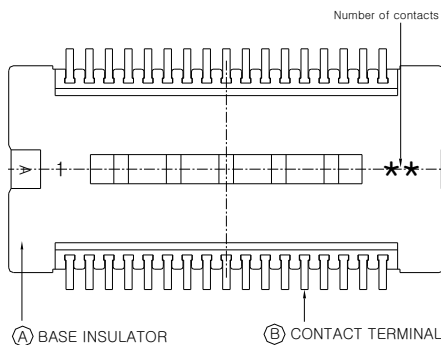
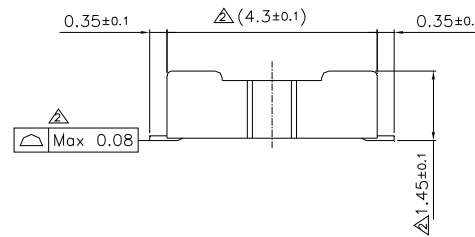
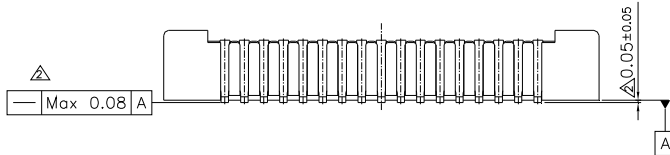


△ APPLICABLE P.C.B DIMENSION



【TABLE】

NO	DESCRIPTION	MATERIAL	FINISH
A	BASE INSULATOR	LCP	BLACK COLOR
B	CONTACT TERMINAL	BERYLLIUM COPPER t:0.100mm	Nickel Barrier CONTACT AREA : Au over Nickel LEAD AREA : Au flash

PINS	POSITION			
	A	B	C	D
16	2.8	3.2	4.35	5.3
18	3.2	3.6	4.75	5.7
20	3.6	4.0	5.15	6.1
24	4.4	4.8	5.95	6.9
30	5.6	6.0	7.15	8.1
34	6.4	6.8	7.95	8.9
40	7.6	8.0	9.15	10.1
50	9.6	10.0	11.15	12.1
54	10.4	10.8	11.95	12.9
60	11.6	12.0	13.15	14.1
△ 80	15.6	16.0	17.15	18.1
△ 90	17.6	18.0	19.15	20.1

RoHS Compliant

TOLERANCES ARE

**MORETHANALL**  
PCB CONNECTORS  
Cable ASSEMBLIES

DRAWING BY CY

X. ± 0.20

CHECKED BY GENIUS

.X ± 0.15

UNIT / mm

SCALE 1 : 1

.XX ± 0.10

DATE

.XXX ±

ANG ±

SIZE A4

PJECTION

照片框

ORDER INFORMATION

NP0420-S14XR-xxx-LF

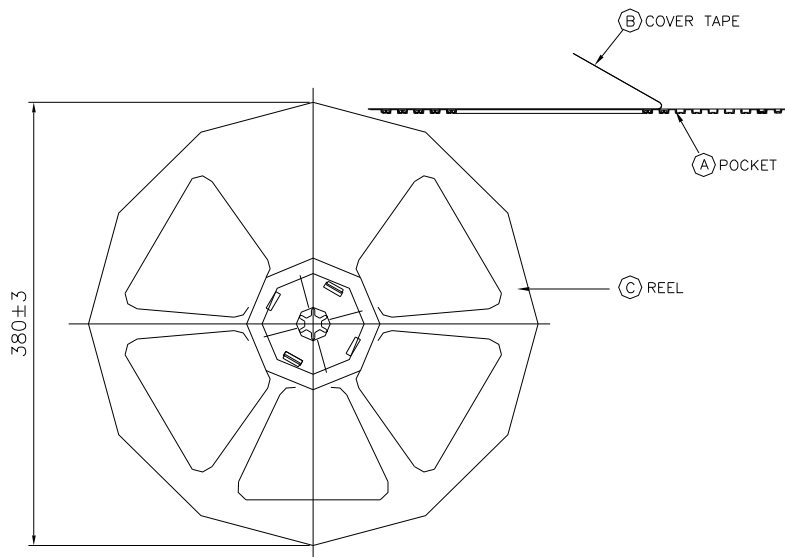
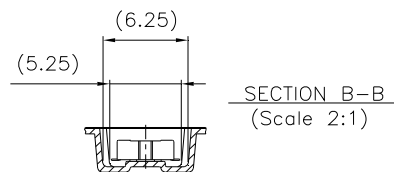
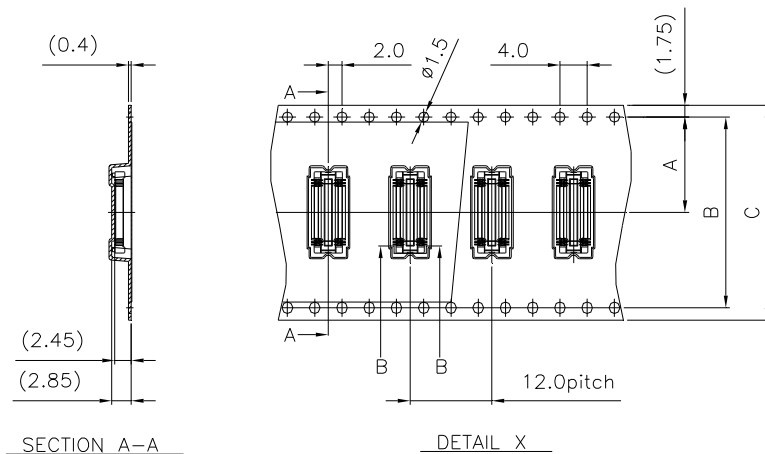
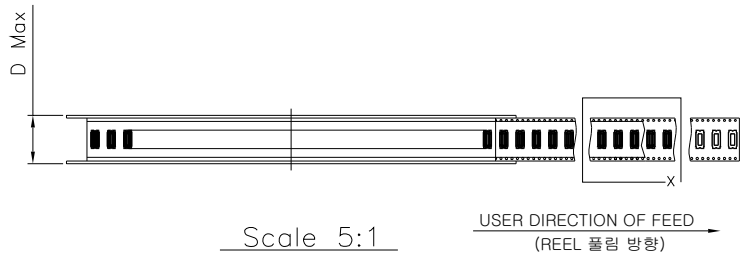
SERIES

LEADFREE  
016-090WAY  
REEL  
NON POST  
UNMATED HIGH 1.4mm  
FEMALE

煜倫股份有限公司

www.morethanall.com

DESCRIPTION: (H=1.5mm 0.4 PITCH B TO B RECEPTACLE(FEMALE) CONN')



【DIMENSION TABLE】

PINS	POSITION	A	B	C	D
16		11.5	-	24	30.4
18		11.5	-	24	30.4
20		11.5	-	24	30.4
24		11.5	-	24	30.4
30		11.5	-	24	30.4
34		11.5	-	24	30.4
40		11.5	-	24	30.4
50		14.2	28.4	32	38.4
54		14.2	28.4	32	38.4
60		14.2	28.4	32	38.4
△ 80		14.2	28.4	32	38.4
90		14.2	28.4	32	38.4

【TABLE】

NAME	A POCKET	B COVER TAPE	C REEL
MATERIAL	PS	PET	HIPS

RoHS Compliant

TOLERANCES ARE

**MORETHANALL**  
PCB CONNECTORS  
Cable ASSEMBLIES

DRAWING BY CY

X ± 0.20

CHECKED BY GENIUS

.X ± 0.15

UNIT / mm

SCALE 1 : 1

.XX ± 0.10

DATE

.XXX ±

ANG ±

SIZE A4

P PROJECTION

照片框

ORDER INFORMATION

NP0420-S14XR-xxx-LF

SERIES

|

|

|

|

|

|

|

|

|

|

|

|

|

|

|

LEADFREE

REEL

NON POST

UNMATED HIGH 1.4mm

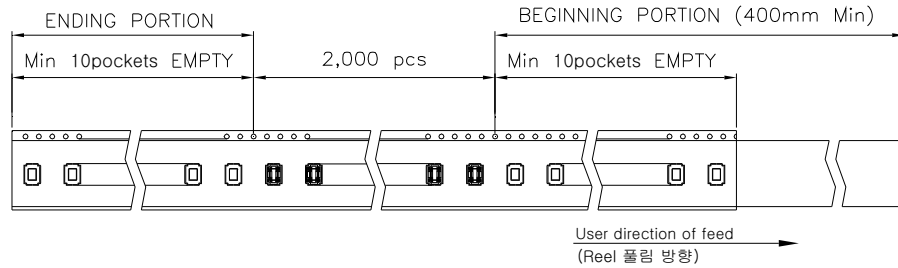
FEMALE

DESCRIPTION: (H=1.5mm 0.4 PITCH B TO B RECEPTACLE(FEMALE) CONN')

煜倫股份有限公司

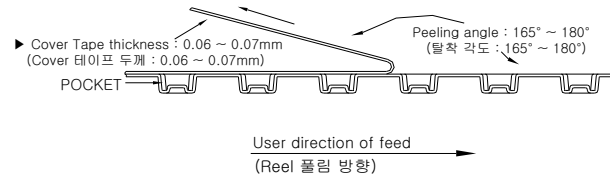
www.morethanall.com

【 REFERENCE 1 (참조 1) 】

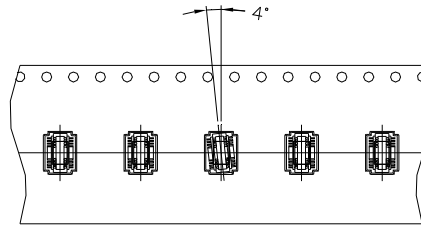


【 REFERENCE 1 (참조 1) 】

- ▶ Peel strength of cover tape : 10~70gf (Cover 테이프 탈착강도 : 10~70gf)
- ▶ Peeling speed : 300mm/minute (탈착 속도 : 300mm/분)



【 REFERENCE 2 (참조 2) 】



◆ Emboss tape specification (포장 사양)

【REFERENCE 1】(참조 1)

1. Quantity :2,000pcs / 1 Reel (수량 : 2,000pcs / 릴)
2. Beginning portion - Empty 10pockets min  
Ending portion - Empty 10pockets min.  
(Reel 앞에서 10pockets 이상 , 뒤에서 10pockets 이상 비울것)
3. Peel strength of cover tape : 10~70gf (Cover 테이프 탈착강도 : 10~70gf)
4. Peeling speed : 300mm/minute (탈착 속도 : 300mm/분)
5. Peeling angle : 165° ~ 180° (탈착 각도 : 165° ~ 180°)
6. Cover Tape thickness : 0.06 ~ 0.07mm (Cover 테이프 두께 : 0.06 ~ 0.07mm)

【REFERENCE 2】(참조 2)

- 1) Product angle in pocket would be tilt : 4.0° (Emboss 내 부품 뒤틀림각도: 4.0°)

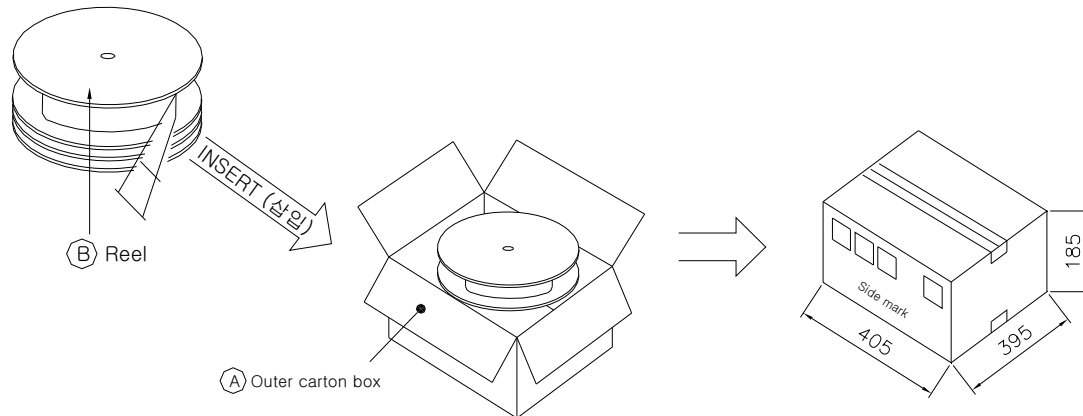
<< NOTE >>

1. Reel 2,000ea packing. (1Reel 2,000ea 포장)
2. Outer box packing (외곽 포장)
  - ▷ 16p~40p : 2,000ea × 5reel = 10,000ea
  - ▷ 50p~90p : 2,000ea × 4reel = 8,000ea
3. Horizontal packing (Reel)
4. Outer carton box size (외곽 포장 치수) : 405(width) × 395(length) × 185(height)
5. Reel - Adhesive of label.(Label 부착)
6. Outer box (외곽 포장 박스) - Lead free mark & box label (Lead free 마크 & 라벨 부착)

【TABLE】

NO.	NAME	MATERIAL
A	Outer carton box	Corrugated cardboard (골판지)
B	Reel	HIPS

【 OUTER PACKING 】



RoHS Compliant

TOLERANCES ARE

**MORETHANALL**  
PCB CONNECTORS  
Cable ASSEMBLIES  
煜倫股份有限公司  
www.morethanall.com

DRAWING BY CY

X. ± 0.20

CHECKED BY GENIUS

.X ± 0.15

UNIT / mm

SCALE 1 : 1

.XX ± 0.10

DATE

.XXX ±

ANG ±

SIZE A4

PJECTION

照片框

ORDER INFORMATION

NP0420-S14XR-xxx-LF

SERIES

LEADFREE  
016-090WAY  
REEL  
NON POST  
UNMATED HIGH 1.4mm  
FEMALE

DESCRIPTION: (H=1.5mm 0.4 PITCH B TO B RECEPTACLE(FEMALE) CONN')