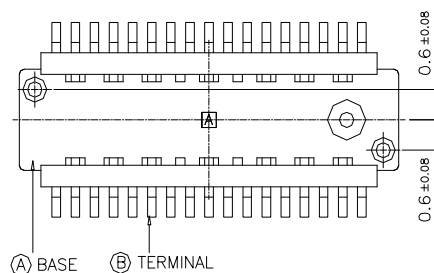
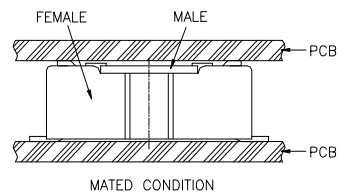
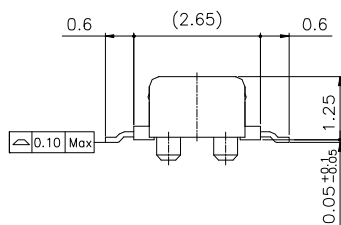
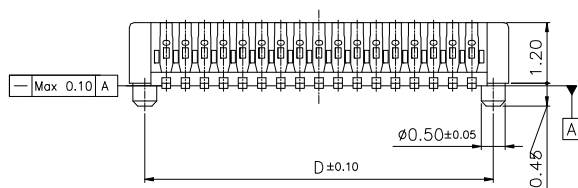


APPLICABLE P.C.B DIMENSION

| NO | DESCRIPTION | MATERIAL | FINISH |
|----|-------------|--------------------------|--|
| A | BASE | LCP | BLACK COLOR |
| B | TERMINAL | PHOS-BRONZE t:0.100mm | CONTACT AREA - Au 0.1µm Min over Nickel NOT CONTACT AREA - Au flash |

| PINS | POSITION | | | |
|------|----------|-------|-------|-------|
| | A | B | C | D |
| 16 | 2.80 | 3.40 | 4.35 | 3.70 |
| 18 | 3.20 | 3.80 | 4.75 | 4.10 |
| 20 | 3.60 | 4.20 | 5.15 | 4.50 |
| 24 | 4.40 | 5.00 | 5.95 | 5.30 |
| 30 | 5.60 | 6.20 | 7.15 | 6.50 |
| 34 | 6.40 | 7.00 | 7.95 | 7.30 |
| 40 | 7.60 | 8.20 | 9.15 | 8.50 |
| 50 | 9.60 | 10.20 | 11.15 | 10.50 |
| 54 | 10.40 | 11.00 | 11.95 | 11.30 |
| 60 | 11.60 | 12.20 | 13.15 | 12.50 |



NOTE

- No rust, contamination, damage nor deformation effecting on function.
- Resistance : ○ Insulation Resistance - Min 1,000MΩ
◎ Contact Resistance - Max 20mΩ
- TITLE - ** number of PINS

RoHS Compliant

TOLERANCES ARE

MORETHANALL
PCB CONNECTORS
Cable ASSEMBLIES

DRAWING BY CY

X, ±

CHECKED BY GENIUS

.X ±

UNIT / mm

SCALE 1 : 1

.XX ±

DATE

.XXX ±

SIZE A4

PJECTION

ANG ±

照片框

ORDER INFORMATION

NP0420-P01PR-xxx-LF

SERIES

LEADFREE

016-060WAY

REEL

POST

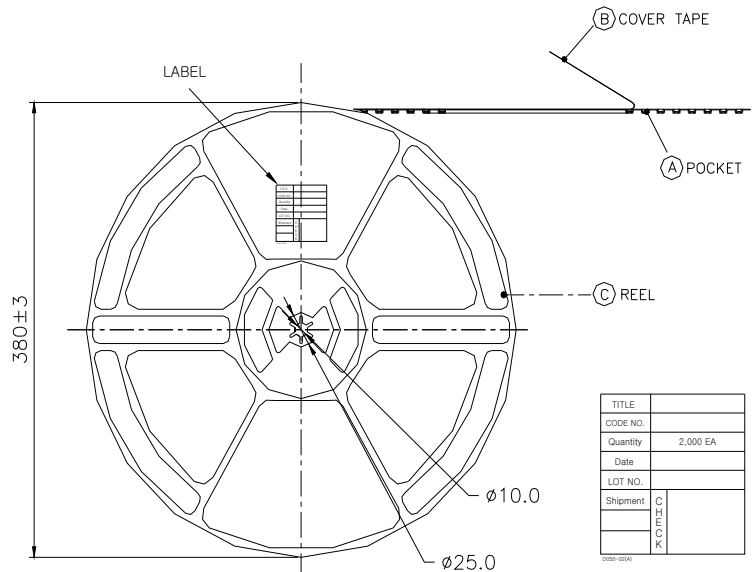
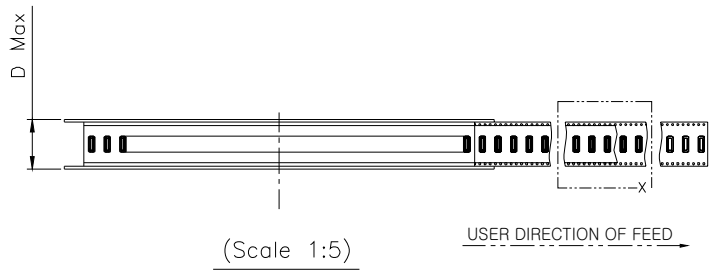
UNMATED HIGH 0.1mm

PLUG

煜倫股份有限公司

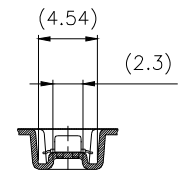
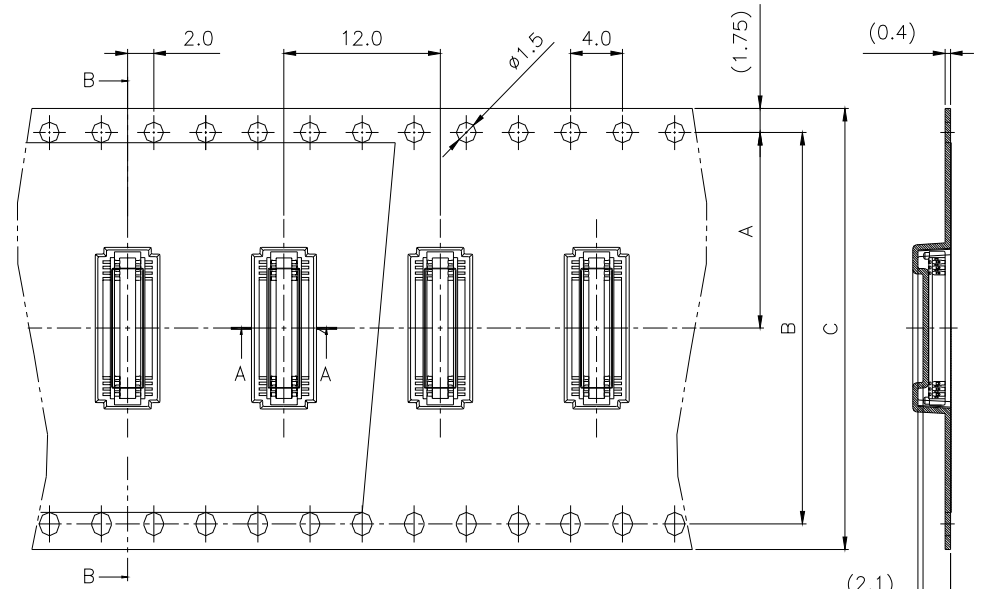
www.morethanall.com

DESCRIPTION:

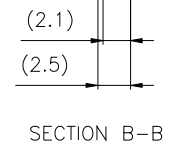


| | |
|-----------|----------|
| TITLE | |
| CODE NO. | |
| Quantity | 2,000 EA |
| Date | |
| LOT NO. | |
| Shipment | |
| KOJIC | |
| 0000-0000 | |

| | | | |
|----------|------------|----------------|----------|
| NAME | (A) POCKET | (B) COVER TAPE | (C) REEL |
| MATERIAL | PS | PET | HIPS |



SECTION A-A(S=2/1)



SECTION B-B

| PINS | POSITION | A | B | C | D |
|------|----------|------|------|----|------|
| 16 | | 11.5 | - | 24 | 30.4 |
| 18 | | 11.5 | - | 24 | 30.4 |
| 20 | | 11.5 | - | 24 | 30.4 |
| 24 | | 11.5 | - | 24 | 30.4 |
| 30 | | 11.5 | - | 24 | 30.4 |
| 34 | | 11.5 | - | 24 | 30.4 |
| 40 | | 11.5 | - | 24 | 30.4 |
| 50 | | 14.2 | 28.4 | 32 | 38.4 |
| 54 | | 14.2 | 28.4 | 32 | 38.4 |
| 60 | | 14.2 | 28.4 | 32 | 38.4 |

RoHS Compliant

TOLERANCES ARE

MORETHANALL
 PCB CONNECTORS
 Cable ASSEMBLIES

煜倫股份有限公司

www.morethanall.com

DRAWING BY CY

CHECKED BY GENIUS

UNIT / mm

SCALE 1:1

DATE

SIZE A4

X, ±
 .X ±
 .XX ±
 .XXX ±
 ANG ±

PJECTION

照片框

ORDER INFORMATION

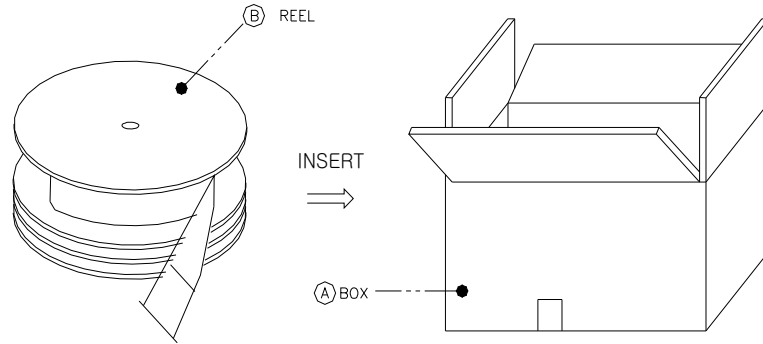
NP0420-P01PR-xxx-LF

SERIES

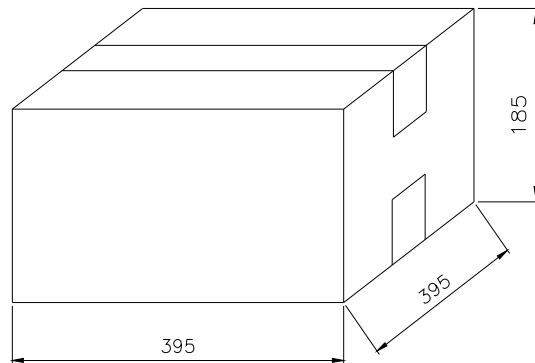
LEADFREE
 016-060WAY
 REEL
 POST
 UNMATED HIGH 0.1mm
 PLUG

DESCRIPTION:

1. SPEC' OF PACKING BOX



2. SEALING SPEC' OF BOX



| | |
|--------------------------|--|
| PART NO. | |
| ITEM | |
| SPECIFICATION | |
| QUANTITY | |
| P / O NO. | |
| SUPPLIER | |
| SPEC NO. | |
| LOT NO. | |
| The date of manufac-ture | |
| (date) of the validity | |

<< NOTE >>

1. Reel 2,000ea packing.

2. BOX Packing

| PINS | REEL | OUTER BOX / REEL |
|------|---------|--------------------------|
| 16 | 2,000ea | 2,000ea × 5REEL = 10,000 |
| 18 | 2,000ea | 2,000ea × 5REEL = 10,000 |
| 20 | 2,000ea | 2,000ea × 5REEL = 10,000 |
| 24 | 2,000ea | 2,000ea × 5REEL = 10,000 |
| 30 | 2,000ea | 2,000ea × 5REEL = 10,000 |
| 34 | 2,000ea | 2,000ea × 5REEL = 10,000 |
| 40 | 2,000ea | 2,000ea × 5REEL = 10,000 |
| 50 | 2,000ea | 2,000ea × 4REEL = 8,000 |
| 54 | 2,000ea | 2,000ea × 4REEL = 8,000 |
| 60 | 2,000ea | 2,000ea × 4REEL = 8,000 |

3. Horizontal packing (REEL).

4. Outer carton box size : 395(width) × 395(length) × 185(high)

5. Adhesive of Label.

| NO. | NAME | MATERIAL |
|-----|------------------|----------------------|
| A | OUTER CARTON BOX | Corrugated cardboard |
| B | REEL | HIPS |

RoHS Compliant

TOLERANCES ARE

MORETHANALL
PCB CONNECTORS
Cable ASSEMBLIES

DRAWING BY CY

CHECKED BY GENIUS

UNIT / mm

SCALE 1 : 1

DATE

SIZE A4

X, ±
.X ±
.XX ±
.XXX ±
ANG ±

PPOJECTION

照片框

ORDER INFORMATION

NP0420-P01PR-xxx-LF

SERIES

REEL

POST

UNMATED HIGH 0.1mm

PLUG

LEADFREE
016-060WAY

煜倫股份有限公司

www.morethanall.com

DESCRIPTION: