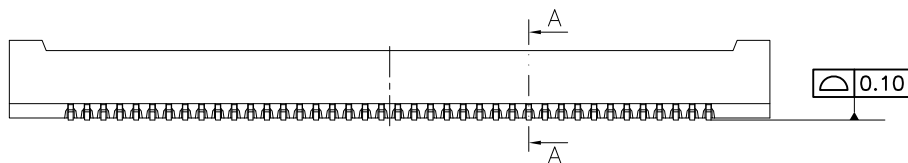
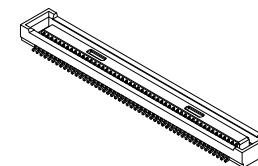


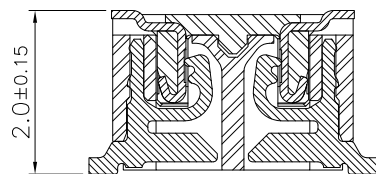
Specifications:
 Current Rating: 0.3A AC,DC
 Voltage Rating: 30V AC,DC
 Contact Resistance: 90m ohm.Max
 Insulation Resistance: 50M ohm.Min
 Withstanding Voltage: 100V AC/Minute
 Operating Temperature Range: -35°C~+85°C

Material:
 Insulator: LCP(UL94V-0)
 Insulator Color: Black
 Contact: Phosphor bronze
 Plated: Gold

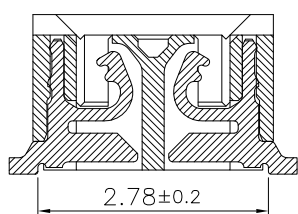


Dimension Information:

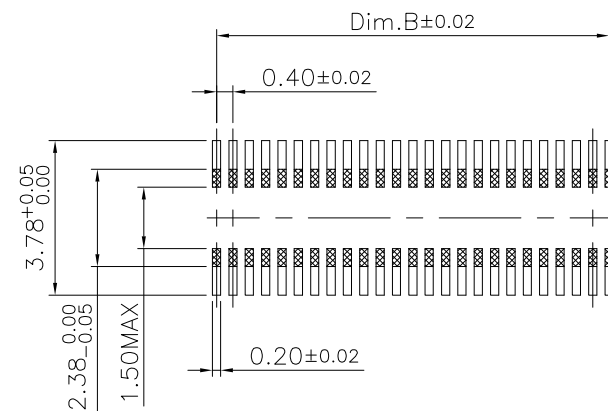
Pin.No	Dim.A	Dim.B
10	4.60	1.60
20	6.60	3.60
30	8.60	5.60
40	10.60	7.60
50	12.60	9.60
60	14.60	11.60



Matting drawing



A-A cross section
 Scale : X2



P.C.B Layout

RoHS Compliant

TOLERANCES ARE

MORETHANALL
 PCB CONNECTORS
 Cable ASSEMBLIES

煜倫股份有限公司

www.morethanall.com

DRAWING BY CY

CHECKED BY GENIUS

UNIT / mm

SCALE 1 : 1

DATE

SIZE A4

X, ±
 .X ± 0.20
 .XX ± 0.15
 .XXX ±
 ANG ±

PJECTION

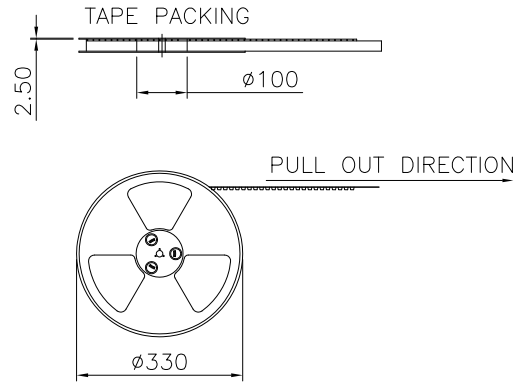
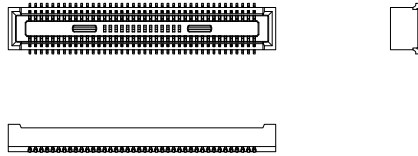
照片框

ORDER INFORMATION

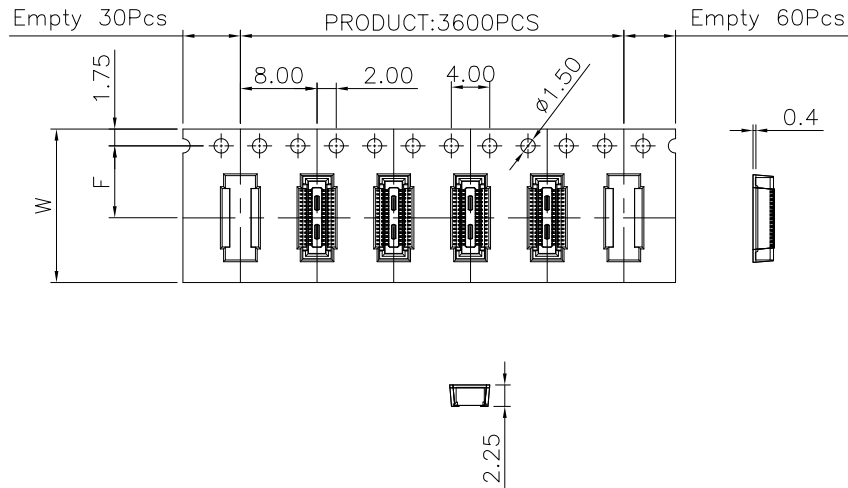
NP04185-S19XR-xxx-LF

SERIES | LEADFREE
 | 010~060WAY
 REEL
 NON POST
 UNMATED HIGH 1.9mm
 FEMALE

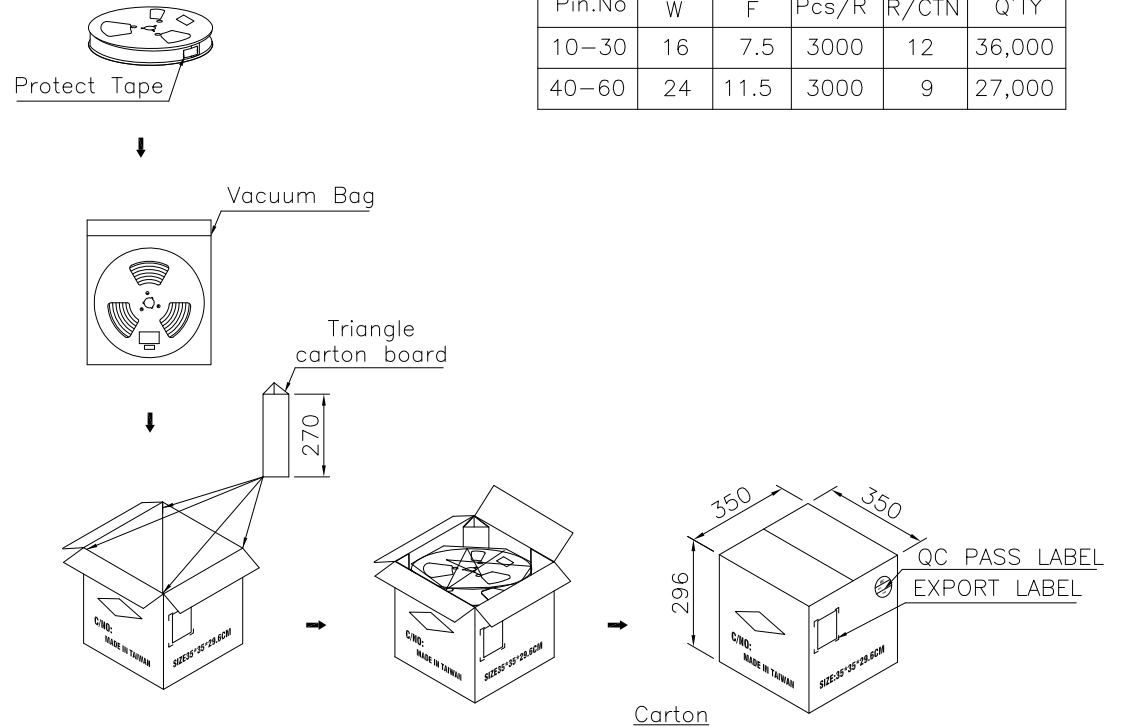
DESCRIPTION: 0.4mm BOARD TO BOARD MATED HEIGHT 2.0mm SOCKET CONNECTOR



- Note:
- 1.All dimensions meet EIA-481-3 requirements.
 - 2.Material: Black Conductive Polystyrene Alloy 100% recyclable.
 - 3.Thickness: 0.40 ± 0.05 mm
 - 4.Component load per 13" reel :3000Pcs.
 - 5.Carton Size:350*350*296(mm)
 REEL Size: 330(mm)
 PE Bag Size: 0.2*450*500(mm)
 Triangular partition Size:35*25.5*270(mm)
 Partitions Size:330*330(mm)



For Reel width (dimension W)16,24mm ,Single row hole



Pin.No	W	F	Pcs/R	R/CTN	Q'TY
10-30	16	7.5	3000	12	36,000
40-60	24	11.5	3000	9	27,000

RoHS Compliant

TOLERANCES ARE

MORETHANALL
 PCB CONNECTORS
 Cable ASSEMBLIES

DRAWING BY CY

CHECKED BY GENIUS

UNIT / mm

SCALE 1 : 1

DATE

SIZE A4

X, ±
 .X ± 0.20
 .XX ± 0.15
 .XXX ±
 ANG ±

PJECTION

照片框

ORDER INFORMATION

NP04185-S19XR-xxx-LF

SERIES

LEADFREE
 010-060WAY
 REEL
 NON POST
 UNMATED HIGH 1.9mm
 FEMALE

煜倫股份有限公司

www.morethanall.com

DESCRIPTION:0.4mm BOARD TO BOARD MATED HEIGHT 2.0mm SOCKET CONNECTOR