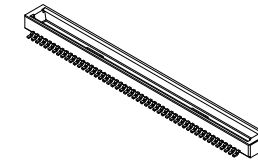


Matting drawing

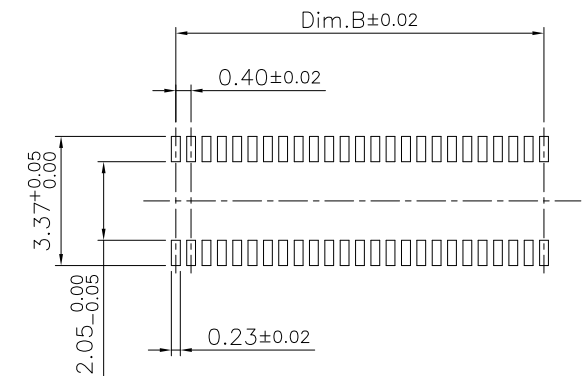
Specifications:  
 Current Rating: 0.3A AC,DC  
 Voltage Rating: 30V AC,DC  
 Contact Resistance: 90m ohm.Max  
 Insulation Resistance: 50M ohm.Min  
 Withstanding Voltage: 100V AC/Minute  
 Operating Temperature Range: -35°C~+85°C

Material:  
 Insulator: LCP(UL94V-0)  
 Insulator Color: Black  
 Contact: Phosphor bronze  
 Plated: Gold



Dimension Information:

Pin.No	Dim.A	Dim.B
10	3.52	1.60
16	4.72	2.80
20	5.52	3.60
30	7.52	5.60
40	9.52	7.60
50	11.52	9.60
60	13.52	11.60



P.C.B. Layout

Mating Dimension:

P/N(Plug)	P/N(Socket)	Socket Height Dim.A1	Mating Height Dim.B1
NP04185-P01XR-xxx	NP04185-S14XR-xxx	1.45	1.50
NP04185-P01XR-xxx	NP04185-S19XR-xxx	1.95	2.00
NP04185-P01XR-xxx	NP04185-S24XR-xxx	2.45	2.50
NP04185-P01XR-xxx	NP04185-S29XR-xxx	2.95	3.00
NP04185-P01XR-xxx	NP04185-S34XR-xxx	3.45	3.50
NP04185-P01XR-xxx	NP04185-S39XR-xxx	3.95	4.00

RoHS Compliant

TOLERANCES ARE

**MORETHANALL**  
 PCB CONNECTORS  
 Cable ASSEMBLIES

煜倫股份有限公司

www.morethanall.com

DRAWING BY CY

CHECKED BY GENIUS

UNIT / mm

SCALE 1 : 1

DATE

SIZE A4

PPOJECTION

X, ±  
 .X ± 0.20  
 .XX ± 0.15  
 .XXX ±  
 ANG ±

照片框

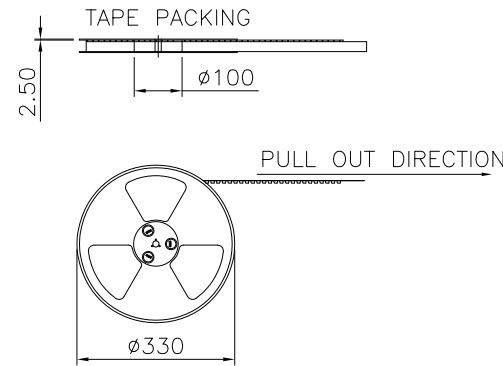
ORDER INFORMATION

NP04185-P01XR-xxx-LF

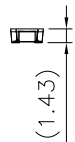
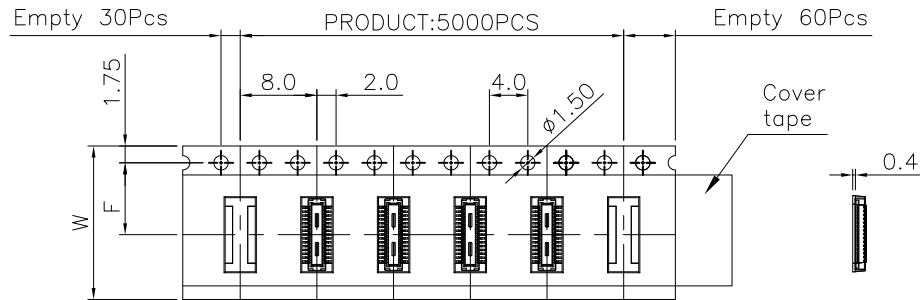
SERIES

LEADFREE  
 010-060WAY  
 REEL  
 NON POST  
 UNMATED HIGH 0.1mm  
 MALE

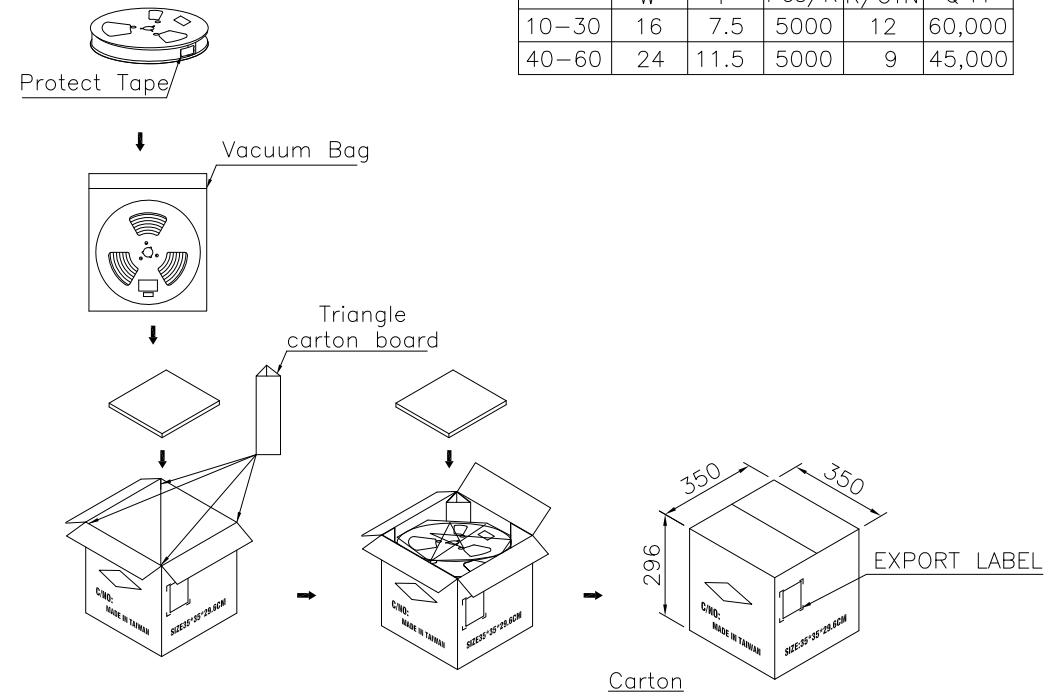
DESCRIPTION: 0.4mm BOARD TO BOARD MATED PLUG CONNECTOR



- Note:
- 1.All dimensions meet EIA-481-3 requirements.
  - 2.Material: Black Conductive Polystyrene Alloy 100% recyclable.
  - 3.Thickness: 0.40±0.05mm
  - 4.Component load per 13" reel :5000Pcs.
  - 5.Carton Size:350\*350\*296(mm)  
 REEL Size: 330(mm)  
 PE Bag Size: 0.2\*450\*500(mm)  
 Triangular partition Size:35\*25.5(mm)  
 Partitions Size:330\*330(mm)



For Reel width (dimension W)16,24mm ,Single row hole



Pin.No	W	F	Pcs/R	R/CTN	Q'TY
10-30	16	7.5	5000	12	60,000
40-60	24	11.5	5000	9	45,000

**RoHS Compliant**

TOLERANCES ARE

**MORETHANALL**  
PCB CONNECTORS  
Cable ASSEMBLIES

DRAWING BY CY

X ±  
.X ± 0.20

CHECKED BY GENIUS

.XX ± 0.15

UNIT / mm

SCALE 1 : 1

.XXX ±  
ANG ±

DATE

SIZE A4

P PROJECTION

照片框

**ORDER INFORMATION**

NP04185-P01XR-xxx-LF

SERIES

LEADFREE

010-060WAY

REEL

NON POST

UNMATED HIGH 0.1mm

MALE

煜倫股份有限公司

www.morethanall.com

DESCRIPTION: 0.4mm BOARD TO BOARD MATED PLUG CONNECTOR