

**MATERIALS**

HOUSING: HI-TEMP. PLASTIC (UL 94V-0), BLACK  
 SOLDER PAD: COPPER ALLOY, TIN PLATING  
 TERMINAL: COPPER ALLOY, GOLD PLATED

**SPECIFICATION**

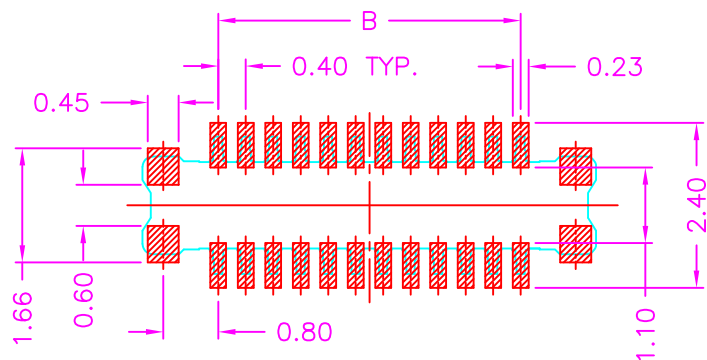
CURRENT RATING: 0.3 AMP MAX  
 DIELECTRIC WITHSTANDING: 250V AC FOR ONE MINUTE  
 CONTACT RESISTANCE: 80m OHMS MAX  
 INSULATION RESISTANCE: 100M OHMS MIN AT DC 250V  
 OPERATION TEMPERATURE: -40°C~+85°C

**INFORMATION**

MATING WITH DRAWING NO: ABBEC-001

TABLE

POS.	DIMENSION	
	A	B
10	3.80	1.60
12	4.20	2.00
14	4.60	2.40
16	5.00	2.80
18	5.40	3.20
20	5.80	3.60
22	6.20	4.00
24	6.60	4.40
26	7.00	4.80
30	7.80	5.60
34	8.60	6.40
36	9.00	6.80
40	9.80	7.60
44	10.60	8.40
50	11.80	9.60
52	12.20	10.00
54	12.60	10.40
60	13.80	11.60
70	15.80	13.60



P.C.B. LAYOUT  
 TOP VIEW ±0.05

**RoHS Compliant**

TOLERANCES ARE

**MORETHANALL**  
 PCB CONNECTORS  
 Cable ASSEMBLIES

煜倫股份有限公司

www.morethanall.com

DRAWING BY CY

CHECKED BY GENIUS

UNIT / mm

SCALE 1 : 1

DATE

SIZE A4

PJECTION

X. ± 0.40  
 .X ± 0.30  
 .XX ± 0.20  
 .XXX ± 0.10  
 ANG ±

照片框

**ORDER INFORMATION**

NP0414-P01X-xxx-LF

SERIES | LEADFREE  
 | 010-070 WAY  
 | NON POST  
 | UNMATED HIGH 0.1mm  
 MALE

DESCRIPTION: BTB, 0.40mm PITCH, PCB MOUNT, SMT, MATING HEIGHT=0.80mm, MALE