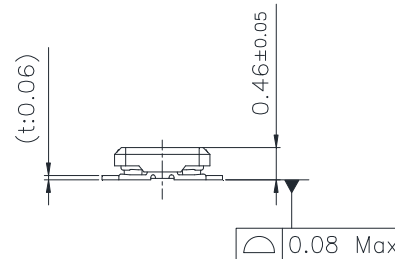
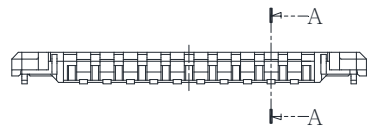


SECTION A-A (Scale 20:1)

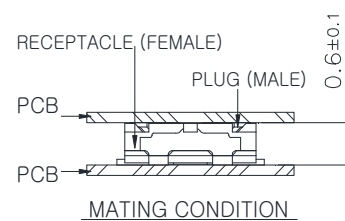
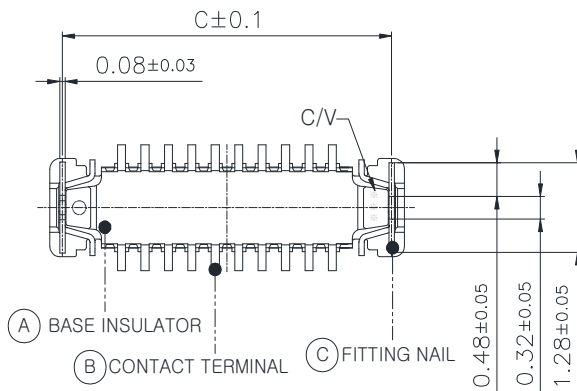


【DIMENSION TABLE】

No.	TITLE	PINS	A	B	C	D
1	NP03514-P01X-010	10	1.40	3.55	3.17	3.17
2	NP03514-P01X-020	20	3.15	5.3	4.92	4.92
3	NP03514-P01X-024	24	3.85	6.0	5.62	5.62
4	NP03514-P01X-030	30	4.90	7.05	6.67	6.67
5	NP03514-P01X-034	△ 34	5.60	7.75	7.37	7.37

【TABLE】

No.	PART	MATERIAL	FINISH
A	BASE INSULATOR	LCP S475	Black color
B	CONTACT TERMINAL	Phosphor Bronze C5210-EH t:0.060mm	Nickel Barrier Contact : Au 0.1µm Min over Nickel 1µm Min Lead : Au flash over Nickel 1µm Min
C	FITTING NAIL	Phosphor Bronze C5240-EH t:0.080mm	Au flash over Nickel 1µm Min



RoHS Compliant

TOLERANCES ARE

MORETHANALL
PCB CONNECTORS
Cable ASSEMBLIES

DRAWING BY CY

X. ± 0.25

CHECKED BY GENIUS

.X ± 0.20

UNIT / mm

SCALE 1 : 1

.XX ± 0.10

DATE

.XXX ±

ANG ±

SIZE A4

PJECTION

照片框

ORDER INFORMATION

NP03514-P01X-xxx-LF

SERIES

LEADFREE

10~34 WAY

NON POST

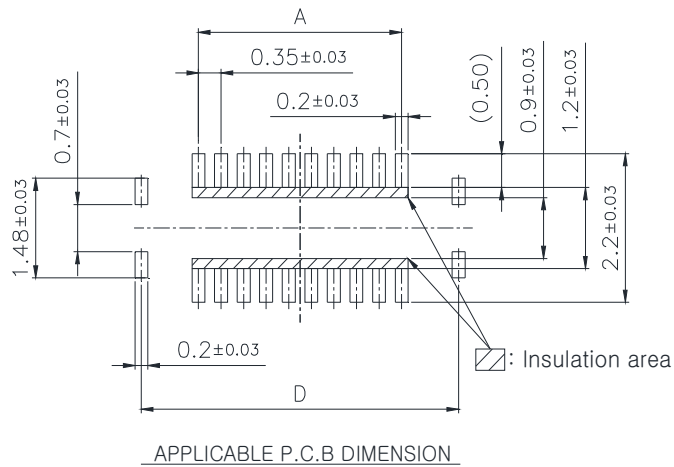
UNMATED HIGH 0.1mm

MALE

煜倫股份有限公司

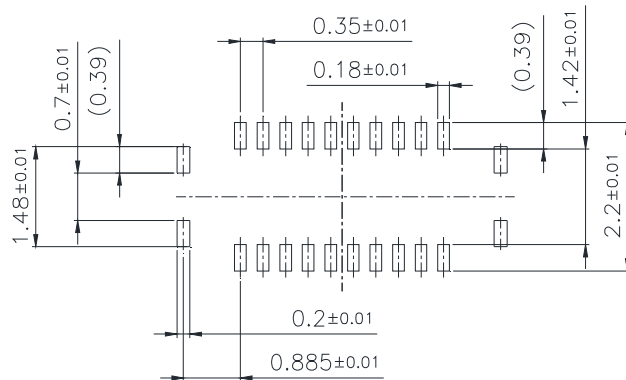
www.morethanall.com

DESCRIPTION: BTB 0.35PITCH H=0.6mm PLUG



【NOTE】

<<Recommended window size of metal mask>>



METAL MASK THICKNESS : When 100 μ m
 (Terminal opening ratio : 70%)
 (Metal-part opening ratio : 100%)

1. No rust, contamination, damage nor deformation effecting on function.
2. Lead co-planarity : Max 0.08mm
3. Before Re-flow lead co-planarity : Max 0.08mm
 After Re-flow lead co-planarity : Max 0.10mm
4. Window ratio is calculated by dividing window size of metal masking by the original mounting pad.

RoHS Compliant

TOLERANCES ARE

MORETHANALL
 PCB CONNECTORS
 Cable ASSEMBLIES

DRAWING BY CY

X. \pm 0.25

CHECKED BY GENIUS

.X \pm 0.20

UNIT / mm

SCALE 1 : 1

.XXX \pm

DATE

ANG \pm

照片框

ORDER INFORMATION

NP03514-P01X-xxx-LF

SERIES

LEADFREE

10-34 WAY

NON POST

UNMATED HIGH 0.1mm

MALE

煜倫股份有限公司

www.morethanall.com

SIZE A4

PJECTION

DESCRIPTION: BTB 0.35PITCH H=0.6mm PLUG