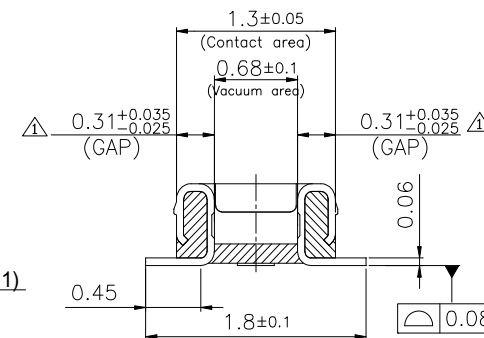
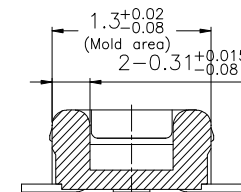
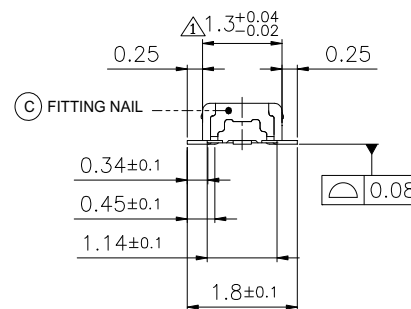
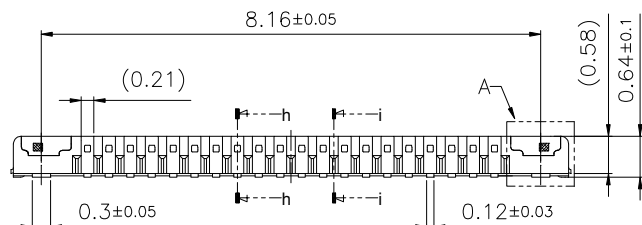


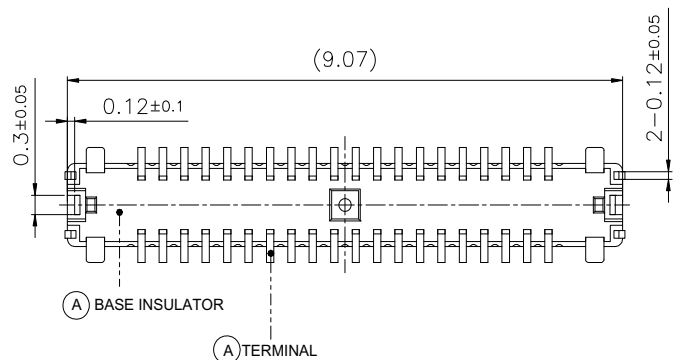
Fitting nail Contact area "A" (Scale 20:1)



SECTION A-A (Scale 20:1)



SECTION B-B (Scale 20:1)



RoHS Compliant

TOLERANCES ARE

MORETHANALL
PCB CONNECTORS
Cable ASSEMBLIES

DRAWING BY CY

X ±
.X ± 0.25
.XX ± 0.20
.XXX ± 0.10
ANG ±

CHECKED BY GENIUS

UNIT / mm SCALE 1 : 1

DATE

SIZE A4

PJECTION

照片框

ORDER INFORMATION

NP03513-P01X-040-LF

SERIES

LEADFREE

40 WAY

NON POST

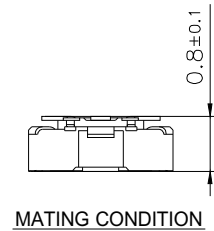
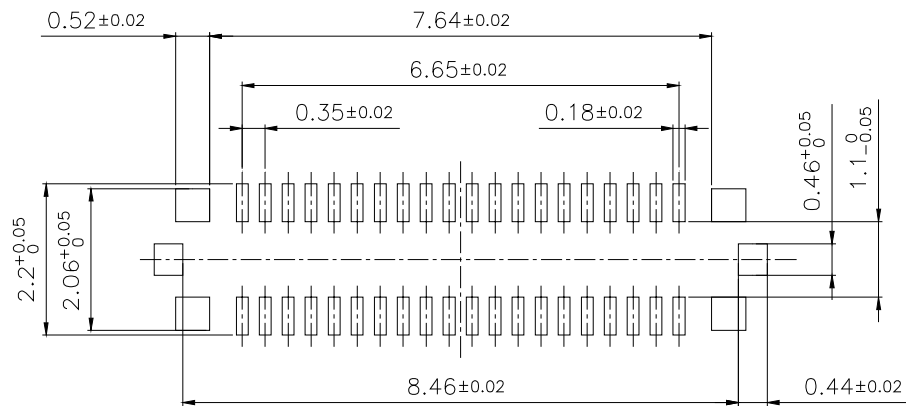
UNMATED HIGH 0.1mm

MALE

煜倫股份有限公司

www.morethanall.com

DESCRIPTION: BTB 0.35mm PITCH H=0.8mm PLUG (MALE)



(APPLICABLE P.C.B DIMENSION)

[NOTE]

1. No rust, contamination, damage nor deformation effecting on function.
(제품 기능 및 성능에 유해한 Burr, 변형, 휨, 이물질 등이 없을 것.)
2. Lead co-planarity (Lead 평탄도) : ☆ Max 0.08mm (0.08mm 이하)
3. ☆ = CTF (☆ 는 CTF 항목) / ★ = CTQ (★는 CTQ 항목)
4. Before and After Re-flow lead co-planarity
: ☆ Max 0.08mm (Re-flow 전,후 평탄도 : 0.08 이하)
5. 220℃ Lead co-planarity (220℃ Lead 평탄도) : Max 0.08mm (0.08mm 이하)
6. 별도 구분을 위해 " * or 기타 식별표시 " 등 기재할수 있다.
EX) O5* (3월5일*) or O5. (3월5일.)

[TABLE]

No.	PART	MATERIAL	FINISH
A	BASE INSULATOR	LCP HA475	Black Color (UL 94V-0)
B	CONTACT TERMINAL	Phosphor Bronze C5210-H t:0.060mm	☆ Contact : Au 0.1 μ m Min over Nickel 1.0 μ m Min Lead : Au 0.05 μ m Min over Nickel 1.0 μ m Min
C	FITTING NAIL	Copper Alloy C7035-TM04 t:0.060mm	☆ Contact : Au 0.1 μ m Min over Nickel 1.0 μ m Min Lead : Au 0.05 μ m Min over Nickel 1.0 μ m Min

RoHS Compliant

TOLERANCES ARE

MORETHANALL
PCB CONNECTORS
Cable ASSEMBLIES

煜倫股份有限公司

www.morethanall.com

DRAWING BY CY

CHECKED BY GENIUS

UNIT / mm

SCALE 1 : 1

DATE

SIZE A4

X, \pm
.X \pm 0.25
.XX \pm 0.20
.XXX \pm 0.10
ANG \pm

PPOJECTION

照片框

ORDER INFORMATION

NP03513-P01X-040-LF

SERIES | LEADFREE
40 WAY
NON POST
UNMATED HIGH 0.1mm
MALE

DESCRIPTION: