

SPECIFICATIONS:

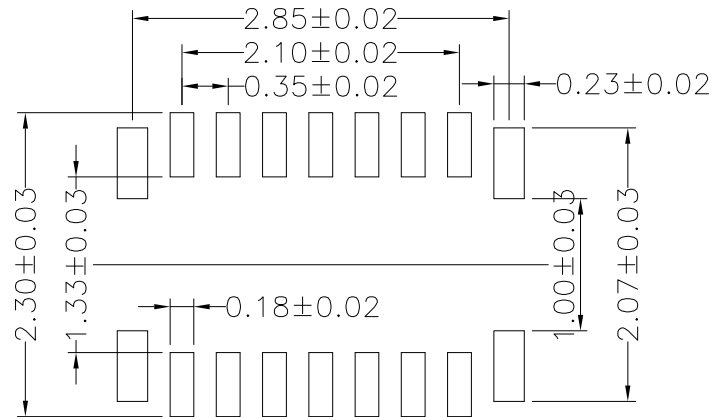
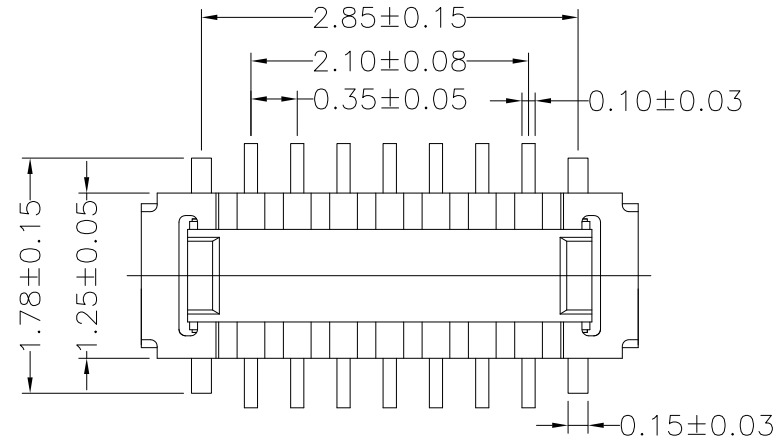
- 1.VOLTAGE/CURRENT RATING: 30V/0.3A AC;
- 2.WITHSTANDING VOLTAGE: 100V AC ONE MINUTE;
- 3.INSULATION RESISTANCE: 50MΩ MIN;
- 4.CONTACT RESISTANCE: 100mΩ MAX;
- 5.OPERATING TEMPERATURE RANGE: -35° C TO 85° C.

MATERIAL:

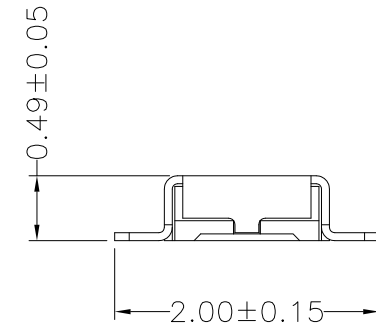
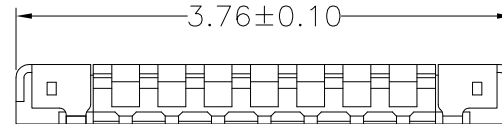
- 1.INSULATOR: LCP UL 94V-0 BLACK;
- 2.TERMINAL: COPPER ALLOY;
- 3.METAL FITTINGS: COPPER ALLOY.

PLATING:

- 1.TERMINAL: GOLD PLATING,
NICKEL 50u" MIN. OVER ALL;
- 2.METAL FITTINGS: TIN 100u" MIN. OVER NICKEL 50u"MIN.



RECOMMENDED PCB LAYOUT
CONNECTOR SIDE



RoHS Compliant

TOLERANCES ARE

MORETHANALL
PCB CONNECTORS
Cable ASSEMBLIES

煜倫股份有限公司

www.morethanall.com

DRAWING BY CY

CHECKED BY GENIUS

UNIT / mm

SCALE 1:1

DATE

SIZE A4

PJECTION

X ±
.X ± 0.30
.XX ± 0.20
.XXX ± 0.10
ANG ±

照片框

ORDER INFORMATION

NP03512-P01X-014-LF

SERIES

LEADFREE

014WAY

NON POST

UNMATED HIGH 0.1mm

MALE

DESCRIPTION: BTB 0.35PH HEADER 14P 專圖