

【TABLE】

No.	PART	MATERIAL	FINISH
A	BASE INSULATOR	LCP S475	Black Color (UL 94V-0)
B	CONTACT TERMINAL	Phosphor Bronze C5210-EH t:0.070mm	Nickel Barrier ☆Contact : Au 0.1~0.5μm over Nickel 1~6μm Lead : Au 0.05μm Min over Nickel 1~6μm
C	FITTING NAIL	Copper Alloy NKC286-EH t:0.070mm	△ Contact : Au 0.1μm Min over Nickel 1~6μm Lead : Au 0.03μm Min over Nickel 1~6μm

RoHS Compliant

TOLERANCES ARE

MORETHANALL
PCB CONNECTORS
Cable ASSEMBLIES
煜倫股份有限公司

DRAWING BY CY

CHECKED BY GENIUS

UNIT / mm

SCALE 1 : 1

DATE

SIZE A4

X, ±
.X ± 0.25
.XX ± 0.20
.XXX ± 0.10
ANG ±

PJECTION

照片框

ORDER INFORMATION

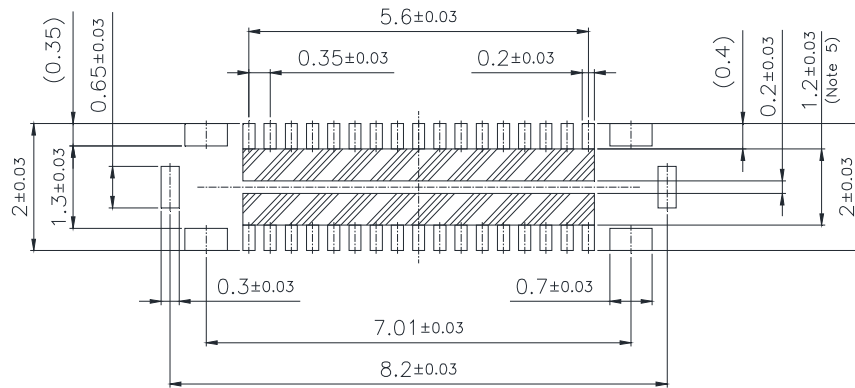
NP03511-S05X-034-LF

SERIES

LEADFREE
34 WAY
NON POST
UNMATED HIGH 0.5mm
FEMALE

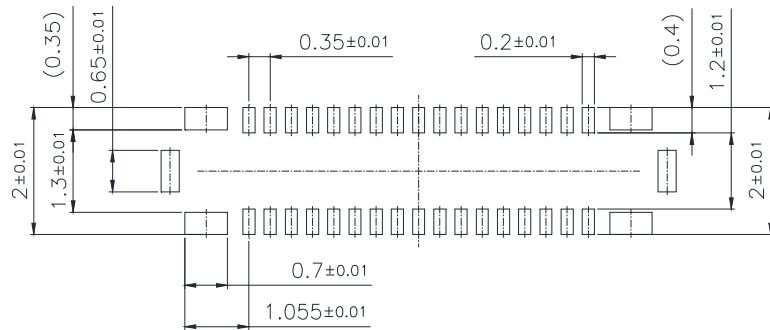
DESCRIPTION: BTB 0.35mm PITCH H=0.6mm RECEPTACLE (FEMALE)

www.morethanall.com



▨: INSULATION AREA

【 APPLICABLE P.C.B DIMENSION 】



【 RECOMMEND METAL MASK PATTERN 】

(Metal Mask thickness : When 100 μ m)
 (Terminal opening ratio : 70%)
 (Metal part opening ratio : 70%)

【NOTE】

1. No rust, contamination, damage nor deformation effecting on function.
(제품 기능 및 성능에 유해한 Burr, 변형, 휨, 이물질 등이 없을 것.)
2. Lead co-planarity (Lead 평탄도) : \star Max 0.08mm (0.08mm 이하)
3. ☆ = CTF (☆ 는 CTF 항목) / ★ = CTQ (★ 는 CTQ 항목)
4. Before and After Re-flow lead co-planarity : ☆ Max 0.08mm
(Reflow 전, 후 평탄도 : 0.08mm 이하)
5. Please don't reduce the inside pattern size less than this size because there is a possibility of solder creeping to the contact part.
(접촉부에 뱀 오름 가능성이 있으므로 지정 PCB 패턴 보다 패턴 크기를 작게 하지 말 것.)
6. There might be differences in the exposure state of the metal fitting nail except terminal portion. Please don't use these portion for inspection.
(단자부를 제외한 고정구의 드러남의 차이가 있을수 있으므로 검사시 이부분은 사용하지 말 것.)
7. Window ratio is calculated by dividing window size of metal masking by the original mounting pad.
(윈도우 비율은 원본의 패드에 금속마스크의 크기를 분할하여 계산 함.)
8. 220 $^{\circ}$ C Lead co-planarity (220 $^{\circ}$ C Lead 평탄도) : Max 0.08mm (0.08mm 이하)

MORETHANALL
 PCB CONNECTORS
 Cable ASSEMBLIES
 煜倫股份有限公司

www.morethanall.com

RoHS Compliant

DRAWING BY CY

CHECKED BY GENIUS

UNIT / mm

SCALE 1 : 1

DATE

SIZE A4

TOLERANCES ARE

X, \pm
 .X \pm 0.25
 .XX \pm 0.20
 .XXX \pm 0.10
 ANG \pm

PJECTION

照片框

ORDER INFORMATION

NP03511-S05X-034-LF

SERIES

LEADFREE
 34 WAY
 NON POST
 UNMATED HIGH 0.5mm
 FEMALE

DESCRIPTION: BTB 0.35mm PITCH H=0.6mm RECEPTACLE (FEMALE)