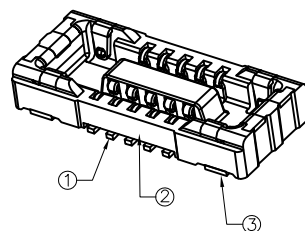
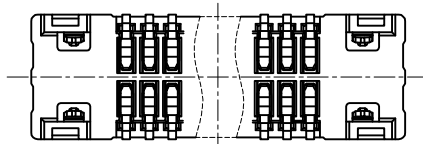
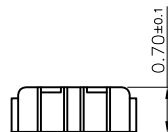
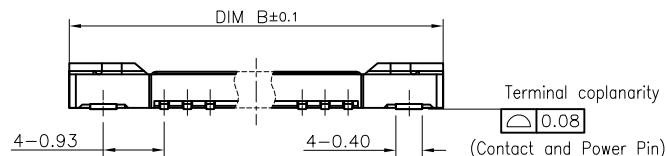


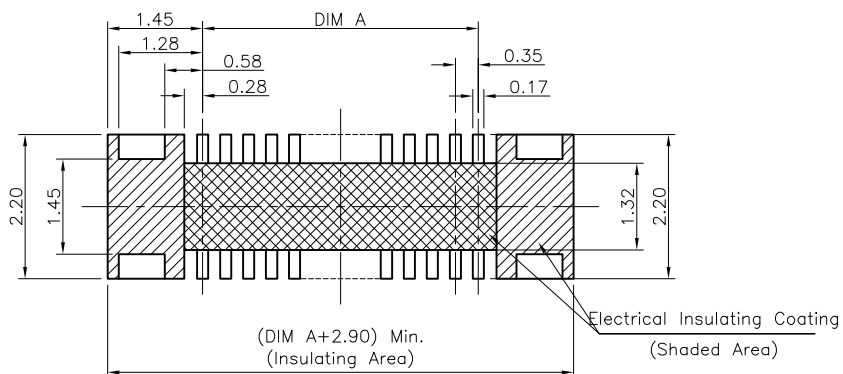
MATED CONDITION



NOTES:

1. FINISH:
  - 1-1 CONTACT: G/F PLATING ON CONTACT AREA AND SOLDER TAILS NICKEL UNDERPLATING OVER ALL
  - 1-2 SHELL: G/F PLATING ON SOLDER TAILS NICKEL UNDERPLATING OVER ALL
2. PRODUCT SPECIFICATION:
  - 2-1 OPERATING TEMPERATURE: -40°C~+85°C
  - 2-2 DURABILITY: 30 Cycles.
  - 2-3 CURRENT RATING: 0.3A/PIN (SIGNAL PIN) 5.0A/PIN (POWER PIN)
  - 2-4 VOLTAGE RATING: 50V AC/DC
  - 2-5 INSERTION FORCE: 1.5N\*(N+4)Max. (N: NO. OF PIN)
  - 2-6 EXTRACTION FORCE: 0.15N\*(N)Min. (N: NO. OF PIN)

No. of Contacts	DIMENSIONS	
	A	B
10	1.40	4.30
24	3.85	6.75
30	4.90	7.80
40	6.65	9.55
44	7.35	10.25



RECOMMENDED PCB LAYOUT(NO PATTERNS)

( TOLERANCE: ±0.02 )

NO.	DESCRIPTION	MATERIAL	COLOR	REMARK
3	Power Pin	Copper Alloy	—	Au Plating
2	Contact	Copper Alloy	—	Au Plating
1	Insulator	LCP	Black	—

RoHS Compliant

TOLERANCES ARE

**MORETHANALL**  
PCB CONNECTORS  
Cable ASSEMBLIES

DRAWING BY CY

CHECKED BY GENIUS

UNIT / mm SCALE 1 : 1

DATE

SIZE A4

X, ±  
.X ± 0.10  
.XX ± 0.05  
.XXX ±  
ANG ± 1°

P PROJECTION

照片框

ORDER INFORMATION

NP035104-S06XR-xxx-LF

SERIES

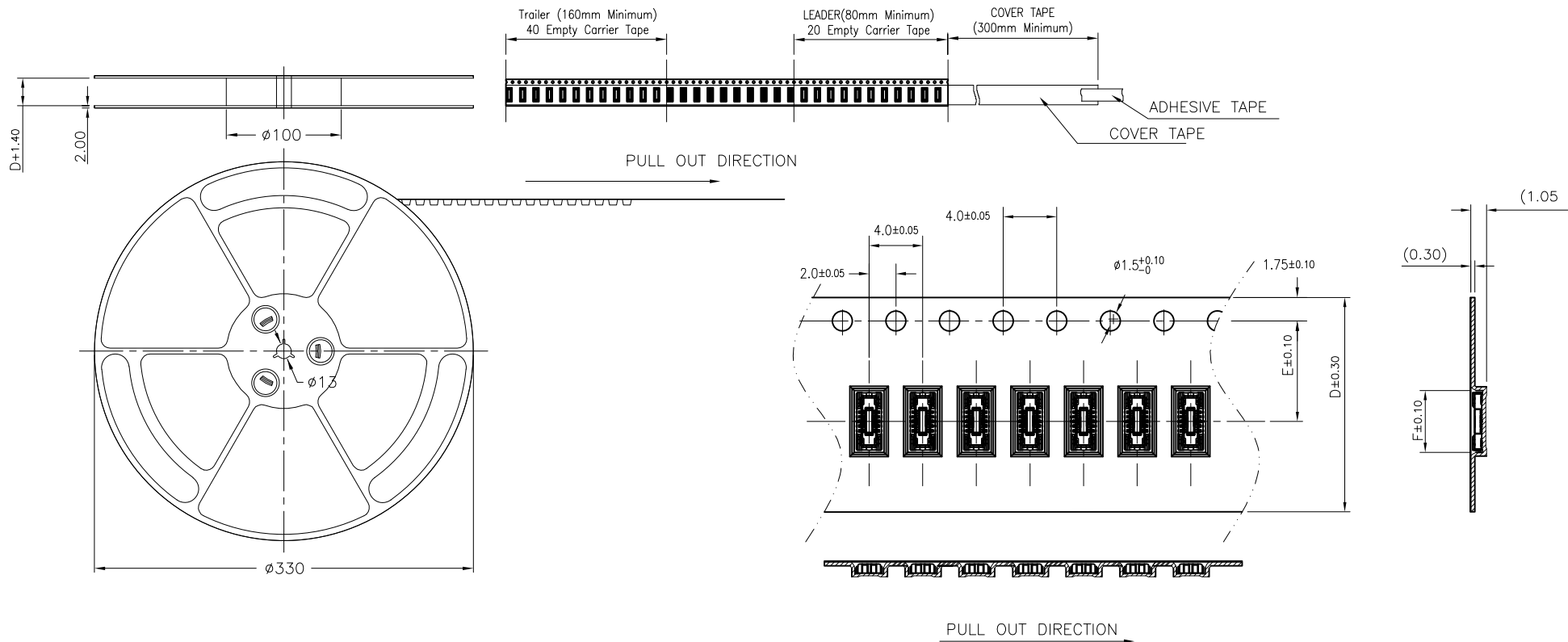
LEADFREE  
010~044WAY  
REEL  
NON POST  
UNMATED HIGH 0.7mm  
FEMALE

DESCRIPTION: BTB 0.35PITCH 0.7H REC CONN

煜倫股份有限公司

www.morethanall.com

### EMBOSSED TAPE PACKAGING



**NOTE:**

- 1.10 SPROCKET HOLE PITCH CUMULATIVE TOLERANCE  $\pm 0.2$ mm
- 2.CARRIER CAMBER IS WITHIN 1 mm IN 250mm.
- 3.MATERIAL : TRANSPARENT CONDUCTIVE POLYSTYRENE ALLOY.
- 4.THICKNESS :  $0.3 \pm 0.05$ mm.
- 5.COMPONENT LOAD PER 13" REEL : 15000 PCS

No. of Contacts	DIM.D	DIM.E	DIM.F
10	16.00	7.5	4.45
24	16.00	7.5	6.90
30	16.00	7.5	7.95
40	24.00	11.5	9.70
44	24.00	11.5	10.40

**RoHS Compliant**

TOLERANCES ARE

**MORETHANALL**  
PCB CONNECTORS  
Cable ASSEMBLIES

煜倫股份有限公司

www.morethanall.com

DRAWING BY CY

CHECKED BY GENIUS

UNIT / mm

SCALE 1 : 1

DATE

SIZE A4

X,  $\pm$   
.X  $\pm 0.10$   
.XX  $\pm 0.05$   
.XXX  $\pm$   
ANG  $\pm 1^\circ$

P PROJECTION

照片框

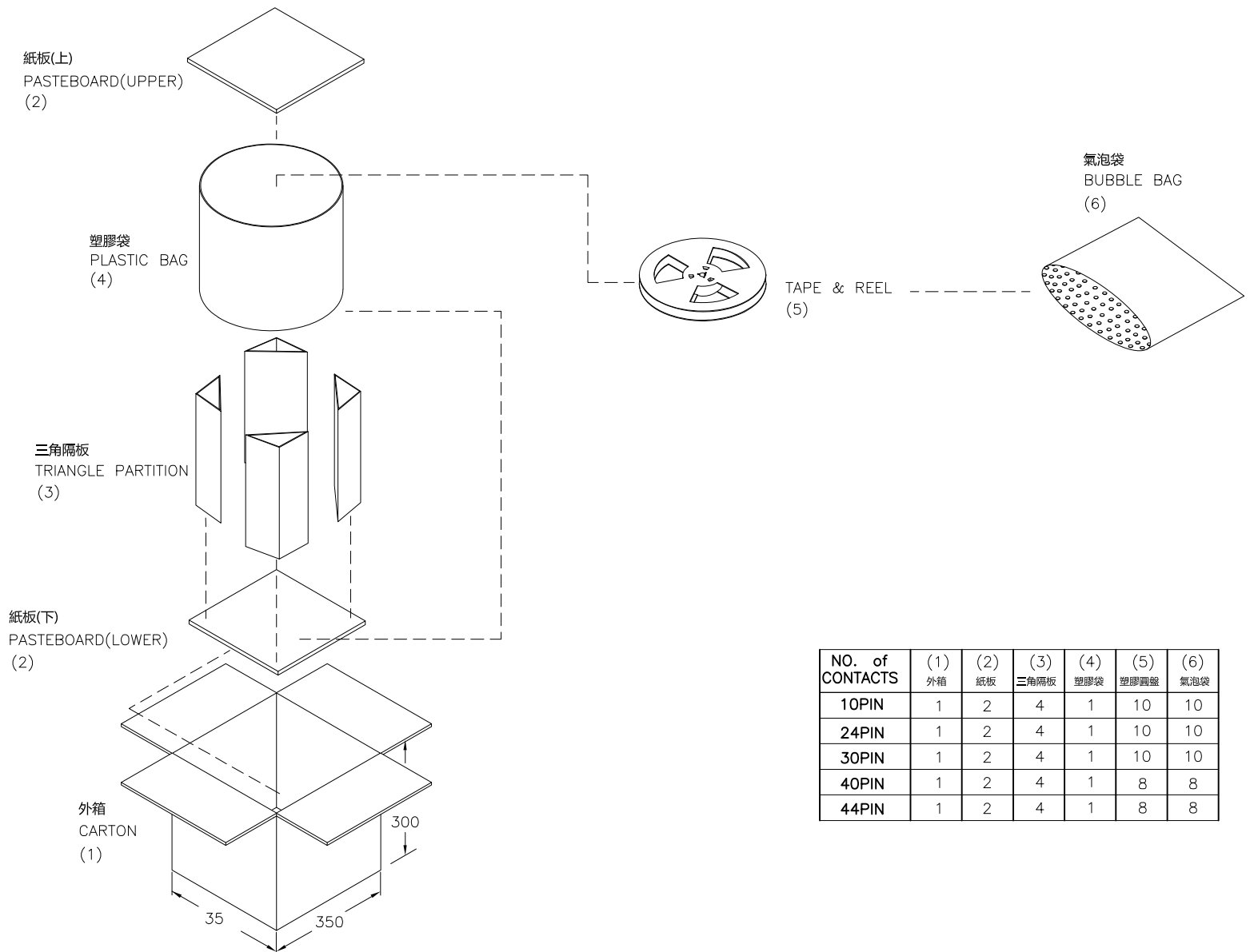
**ORDER INFORMATION**

NP035104-S06XR-xxx-LF

SERIES

LEADFREE  
010~044WAY  
REEL  
NON POST  
UNMATED HIGH 0.7mm  
FEMALE

DESCRIPTION: BTB 0.35PITCH 0.7H REC CONN



NO. of CONTACTS	(1) 外箱	(2) 紙板	(3) 三角隔板	(4) 塑膠袋	(5) 塑膠圓盤	(6) 氣泡袋
10PIN	1	2	4	1	10	10
24PIN	1	2	4	1	10	10
30PIN	1	2	4	1	10	10
40PIN	1	2	4	1	8	8
44PIN	1	2	4	1	8	8

**RoHS Compliant**

TOLERANCES ARE

**MORETHANALL**  
PCB CONNECTORS  
Cable ASSEMBLIES

DRAWING BY CY

X. ±  
.X ± 0.10

CHECKED BY GENIUS

.XX ± 0.05

UNIT / mm

SCALE 1 : 1

.XXX ±

ANG ± 1°

DATE

SIZE A4

PJECTION

照片框

**ORDER INFORMATION**

NP035104-S06XR-xxx-LF

SERIES

LEADFREE  
010~044WAY  
REEL  
NON POST  
UNMATED HIGH 0.7mm  
FEMALE

煜倫股份有限公司

www.morethanall.com

DESCRIPTION: BTB 0.35PITCH 0.7H REC CONN