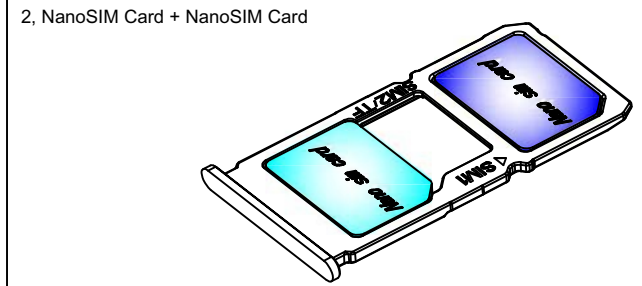
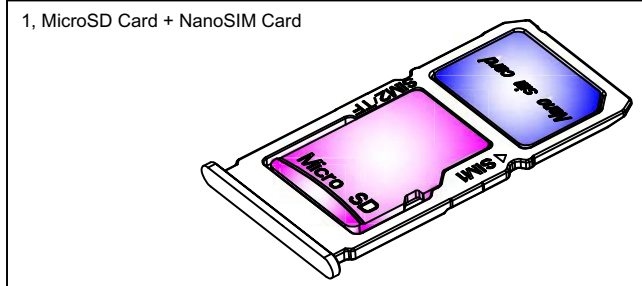
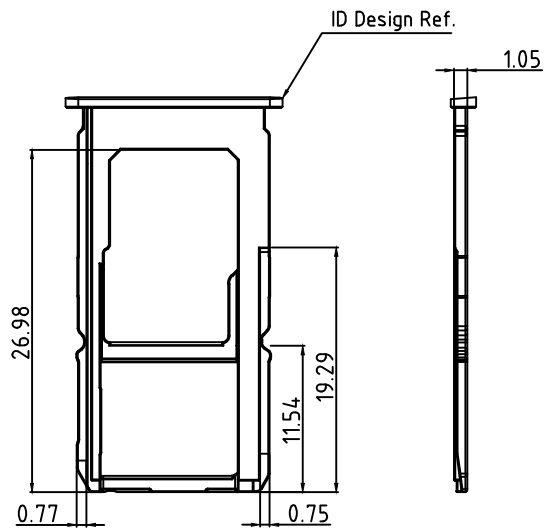
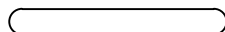


MATERIAL:
 TRAY-MATERIAL: Zn#5(壓鑄,斷料,噴砂,鍍沙丁鍍,選別,TRAY包裝)

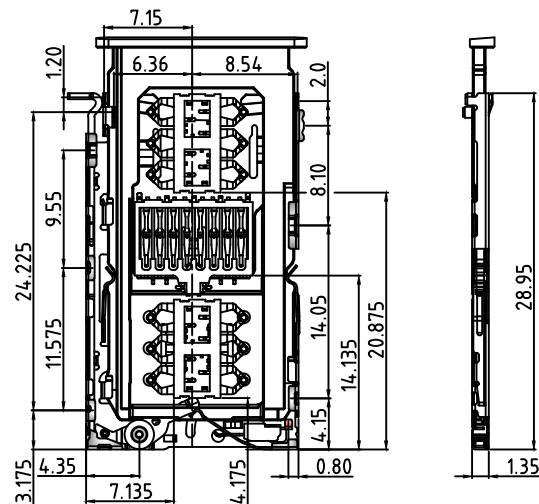
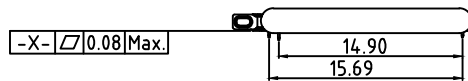
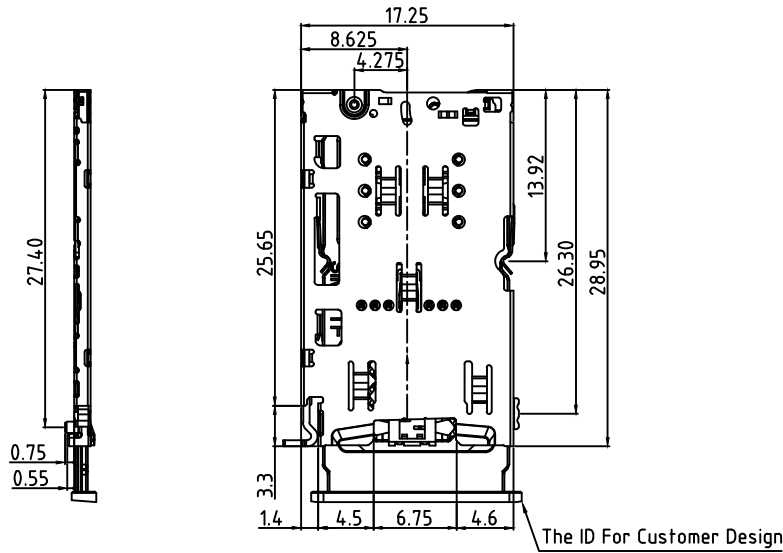


MORETHANALL
 PCB CONNECTORS
 Cable ASSEMBLIES
 煜倫股份有限公司
 www.morethanall.com

RoHS Compliant		TOLERANCES ARE
DRAWING BY CY		X. ± 0.30
CHECKED BY GENIUS		.X ± 0.20
UNIT / mm	SCALE 1 : 1	.XX ± 0.10
DATE		.XXX ±
SIZE A4	PPOJECTION	ANG ± 1°

照片框

ORDER INFORMATION			
NNTFE-WM15A-302-LF			
SERIES			LEADFREE
			3 IN 2
			CLOSE
			METAL FOOT 15.77mm
			90°SMT
DESCRIPTION: METAL-TRAY			



THIS IS CAD DRAWING, DO NOT REVISE MANUALLY!!!

MECHANICAL

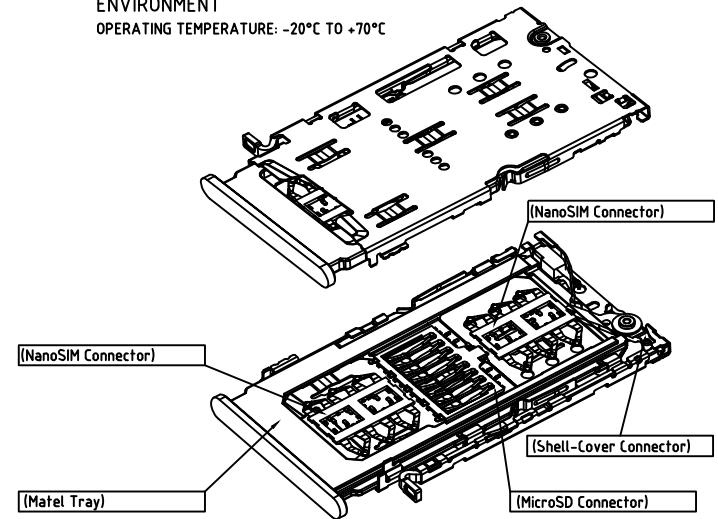
INSULATOR: HIGH TEMPERATURE THERMOPLASTIC, UL94 V-0 RATED.
 COLOR OF INSULATOR: BLACK
 CONTACT: COPPER ALLOY
 CONTACT FINISH: GOLD(Au 3-5u") ON MATING AREA; FLASH GOLD ON SOLDER TAILS;
 ALL OVER 50u" NICKEL UNDER-PLATED.
 SHELL: STAINLESS STEEL
 GROUND PAD: COPPER ALLOY
 GROUND PAD: GOLD OVER NICKEL UNDER-PLATED
 DURABILITY: 3,000 CYCLES MINIMUM

ELECTRICAL

CONTACT RESISTANCE: 100 MILLIOHMS MAXIMUM
 INSULATION RESISTANCE: 1000M OHM MINIMUM AT 500 VDC.
 DIELECTRIC WITHSTANDING VOLTAGE: 500 VAC/RMS FOR ONE MINUTE
 CURRENT RATING: 0.5A MAXIMUM

ENVIRONMENT

OPERATING TEMPERATURE: -20°C TO +70°C



ITEM	NOTE	Q'TY
1	NanoSIM Connector	2
2	MicroSD Connector	1
3	Shell-Cover+Cam-Bar+Push-Bar	1
4	Matel Tray For Customer ID	1

RoHS Compliant

TOLERANCES ARE

MORETHANALL
 PCB CONNECTORS
 Cable ASSEMBLIES

煜倫股份有限公司

www.morethanall.com

DRAWING BY CY

CHECKED BY GENIUS

UNIT / mm SCALE 1 : 1

DATE

SIZE A4

X ± 0.30

.X ± 0.20

.XX ± 0.10

.XXX ±

ANG ± 1°

PJECTION

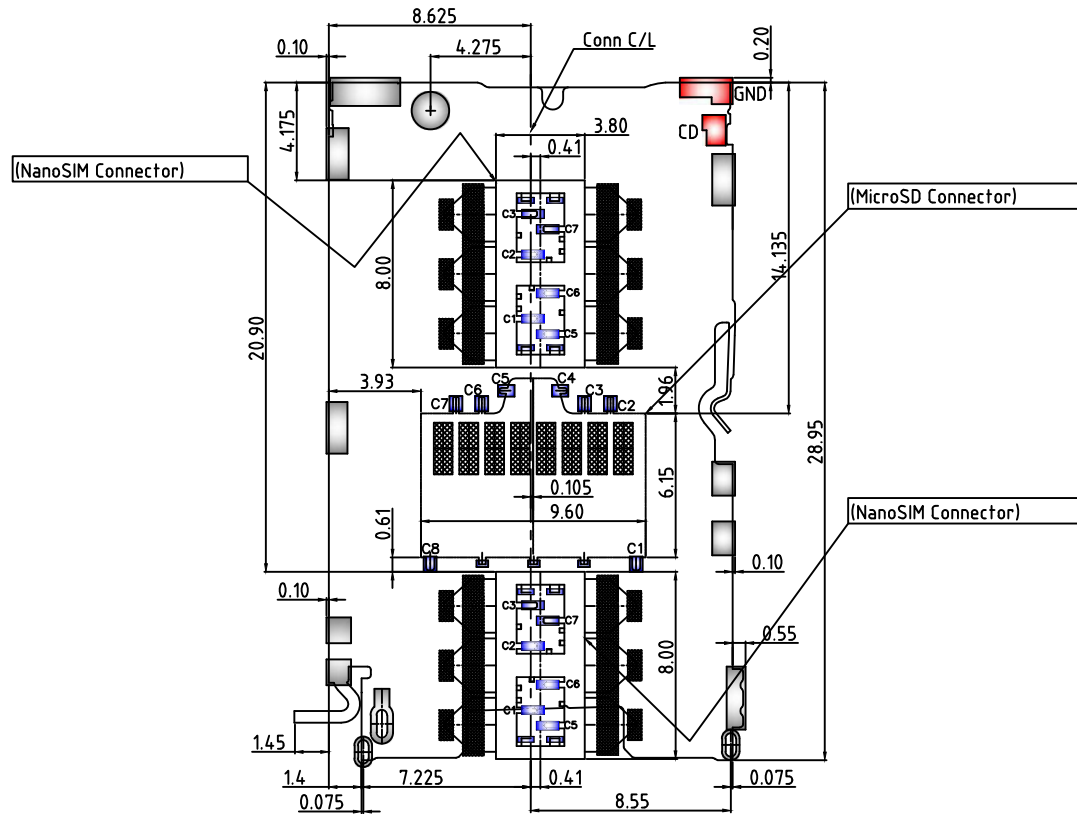
照片框

ORDER INFORMATION

NNTFE-WM15A-302-LF

SERIES | LEADFREE
 | 3 IN 2
 | CLOSED
 | METAL FOOT 15.77mm
 90° SMT

DESCRIPTION:



RECOMMEND PCB LAYOUT

- : Connector Boundary.
- : Soldering Area.(NanoSIM & MicroSD)
- : Ground Pad.
- : Detect-SW(CD),Detect-SW(GND).
- : Sheet Metal Area.
- : Digging Holes 0.05mm Min.

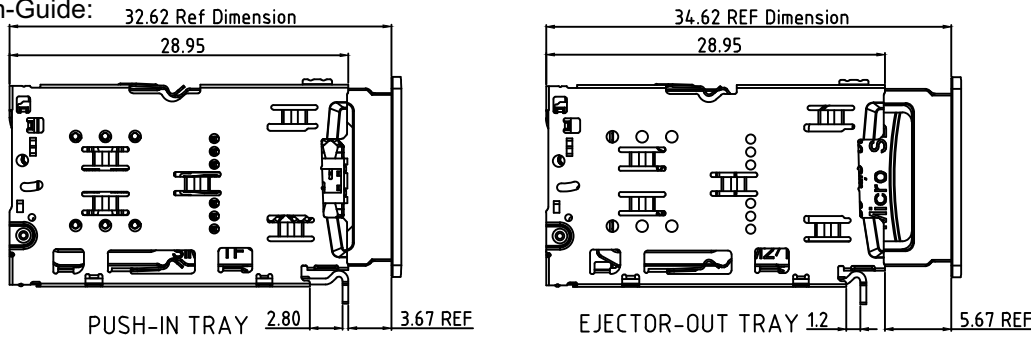
	TRAY SWITCH		
WITH TRAY	CD	CLOSE	GND
WITHOUT TRAY	CD	OPEN	GND

MicroSD CARD			
PIN NO.	FUNCTION	Nano-SIM CARD	
C1	DAT2	PIN NO.	FUNCTION
C2	CD/DAT3	C1	VCC
C3	CMD	C2	RST
C4	VDD	C3	CLK
C5	CLK	C5	GND
C6	VSS	C6	VPP
C7	DAT0	C7	I/O
C8	DAT1		

THIS DRAWING/DOCUMENT CONTAINS INFORMATION THAT IS PROPRIETARY TO FORMOSA COMPONENTS AND SHOULD NOT BE USED WITHOUT WRITTEN PERMISSION.

NAME (INTENDED USE)
Dual-NanoSIM or MicroSD
3 Choose 2 Combo Card Conn
Tray Type,H=1.35mm

Design-Guide:



PUSH-IN TRAY 2.80 3.67 REF

EJECTOR-OUT TRAY 1.2 5.67 REF

RoHS Compliant

TOLERANCES ARE

MORETHANALL
PCB CONNECTORS
Cable ASSEMBLIES

DRAWING BY CY

X ± 0.30

CHECKED BY GENIUS

.X ± 0.20

UNIT / mm

SCALE 1 : 1

.XX ± 0.10

DATE

.XXX ±

ANG ± 1°

SIZE A4

PPOJECTION

照片框

ORDER INFORMATION

NNTFE-WM15A-302-LF

SERIES

LEADFREE

3 IN 2

CLOSED

METAL FOOT 15.77mm

90°SMT

煜倫股份有限公司

www.morethanall.com

DESCRIPTION: