

**NOTES:**

- MATERIAL:**  
HOUSING: HIGH TEMPERATURE THERMO PLASTIC UL94V-0  
TERMINAL: COPPER ALLOY  
SOLDER PEG: COPPER ALLOY
- FINISH:**  
TERMINAL:  
CONTACT AREA: SEE CHARTS  
SOLDERING AREA: SEE CHARTS  
UNDER PL.: NICKEL PL. 50 μ" THK MIN.
- THIS PRODUCT DOESN'T CONTAIN ENVIRONMENTAL HAZARDOUS PER DIRECTIVE 2002/95/EC FOR RoHS COMPLIANT.**

**RoHS Compliant**

TOLERANCES ARE

**MORETHANALL**  
PCB CONNECTORS  
Cable ASSEMBLIES

煜倫股份有限公司

www.morethanall.com

DRAWING BY CY

CHECKED BY GENIUS

UNIT/mm SCALE 1:1

DATE

SIZE A4

X, ±  
.X ±  
.XX ±  
.XXX ±  
ANG ±

PJECTION

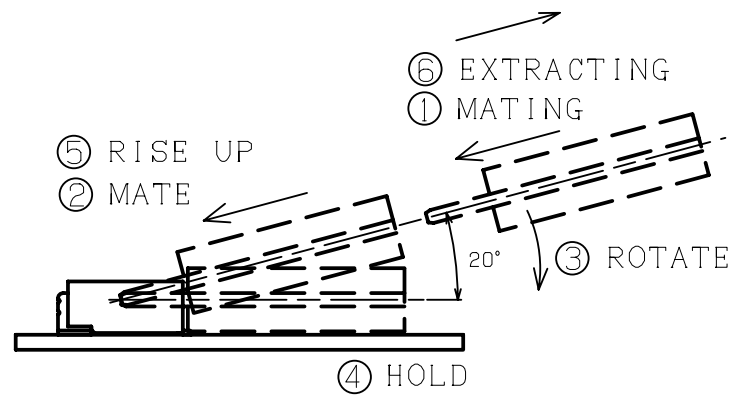
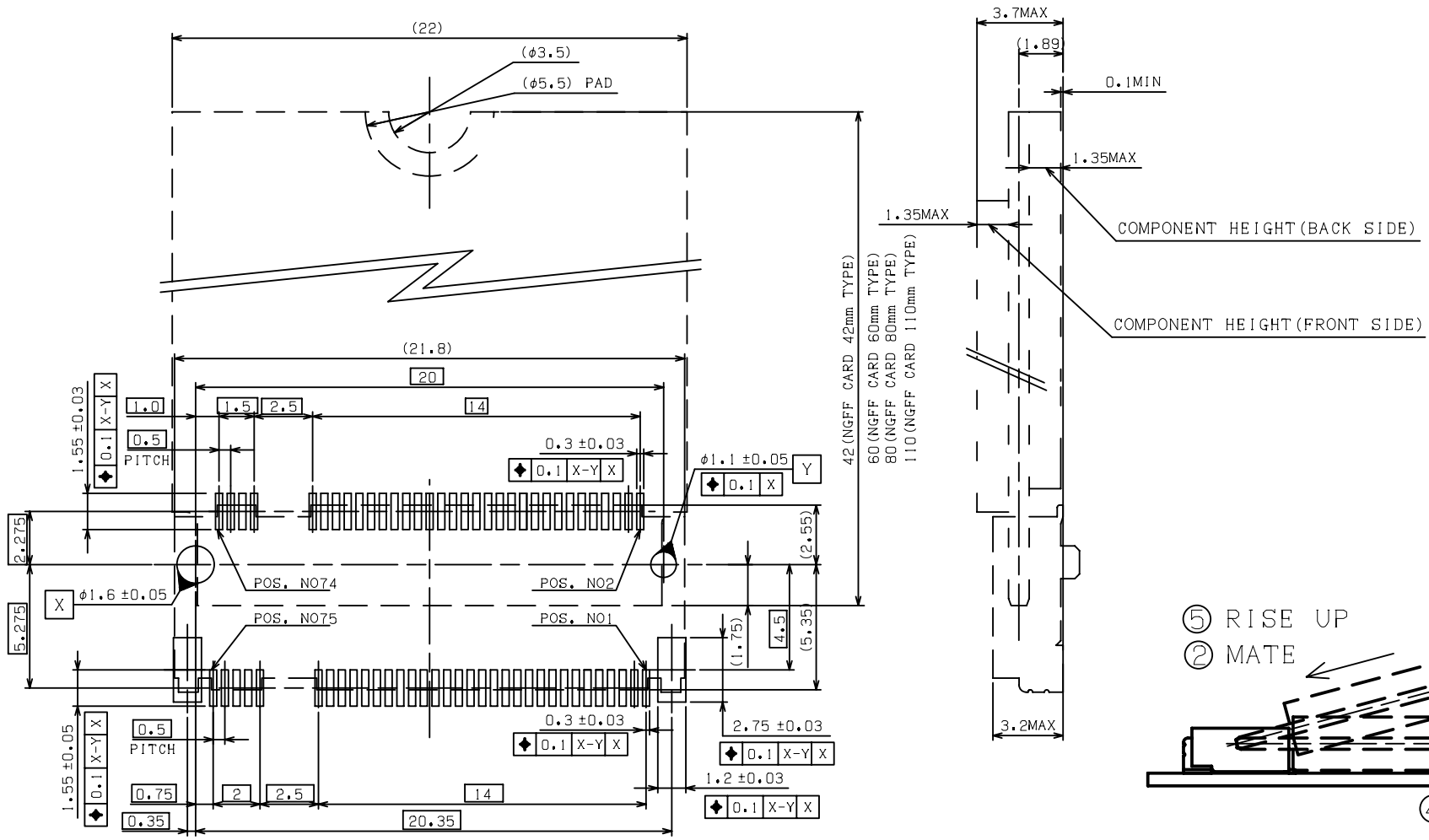
照片框

**ORDER INFORMATION**

NGFF-W32-5809-LF

SERIES | LEADFREE  
58+09 WAY  
HIGH 3.2mm  
90°SMT

DESCRIPTION:



KEY ID "M"  
RECOMMENDED P.C. BOARD LAYOUT

RoHS Compliant

TOLERANCES ARE

**MORETHANALL**  
PCB CONNECTORS  
Cable ASSEMBLIES

DRAWING BY CY  
CHECKED BY GENIUS  
UNIT / mm SCALE 1:1  
DATE  
SIZE A4 PPROJECTION

X, ±  
.X ±  
.XX ±  
.XXX ±  
ANG ±

照片框

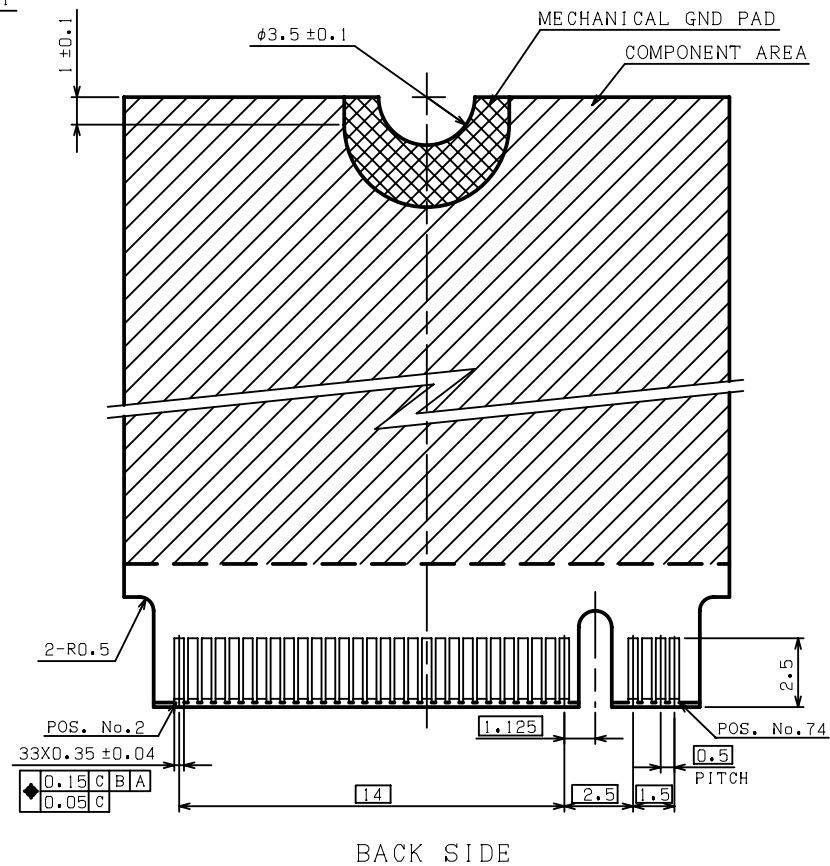
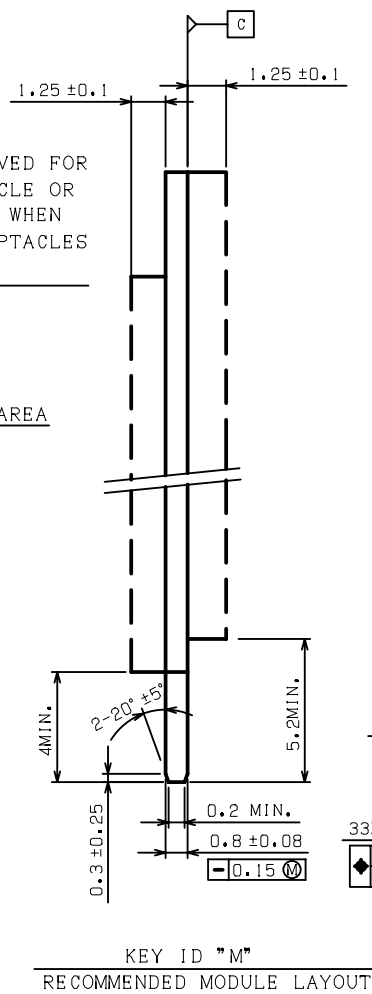
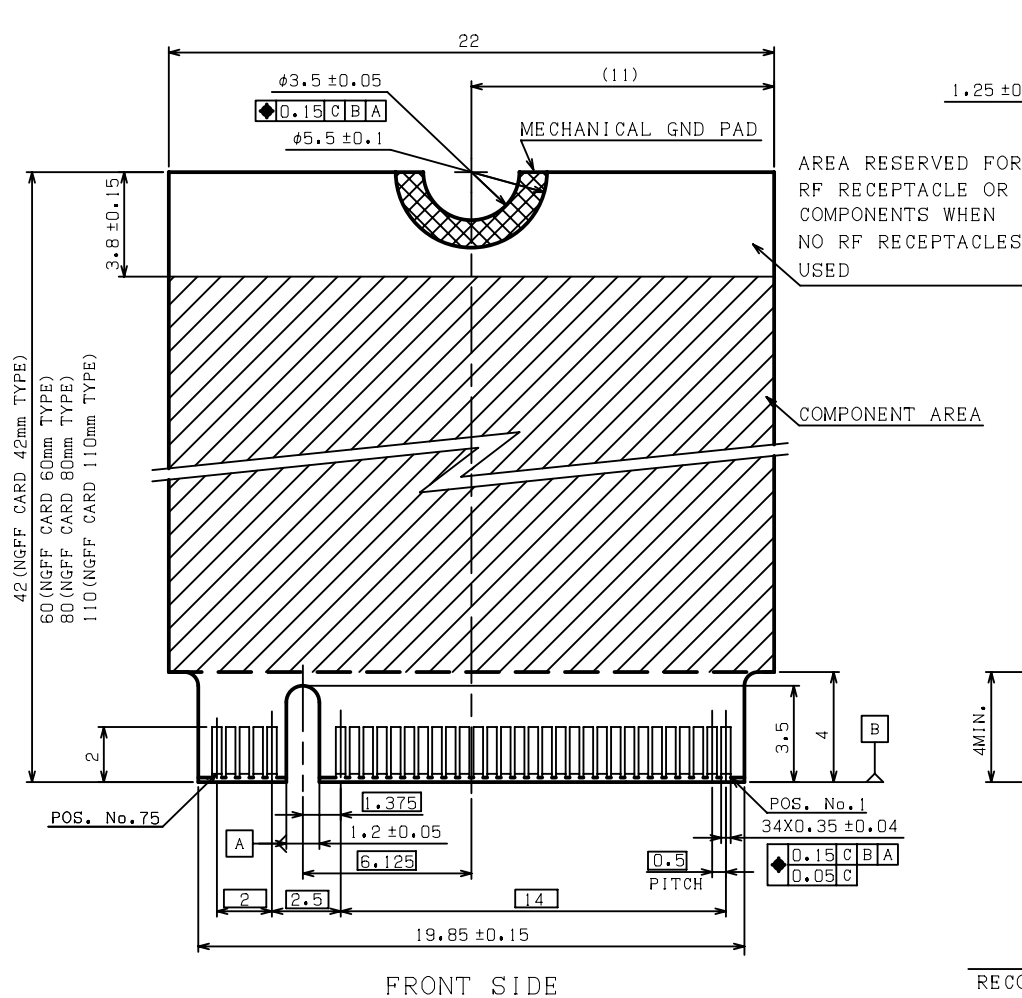
ORDER INFORMATION

NGFF-W32-5809-LF  
SERIES | LEADFREE  
58+09 WAY  
HIGH 3.2mm  
90°SMT

煜倫股份有限公司

www.morethanall.com

DESCRIPTION:



**MORETHANALL**  
PCB CONNECTORS  
Cable ASSEMBLIES

煜倫股份有限公司

www.morethanall.com

**RoHS Compliant**

DRAWING BY CY

CHECKED BY GENIUS

UNIT / mm SCALE 1 : 1

DATE

SIZE A4

TOLERANCES ARE

X. ±  
.X ±  
.XX ±  
.XXX ±  
ANG ±

PJECTION

照片框

**ORDER INFORMATION**

NGFF-W32-5809-LF

SERIES | LEADFREE  
58+09 WAY  
HIGH 3.2mm  
90°SMT

DESCRIPTION: