

NOTES:

1. MATERIALS:

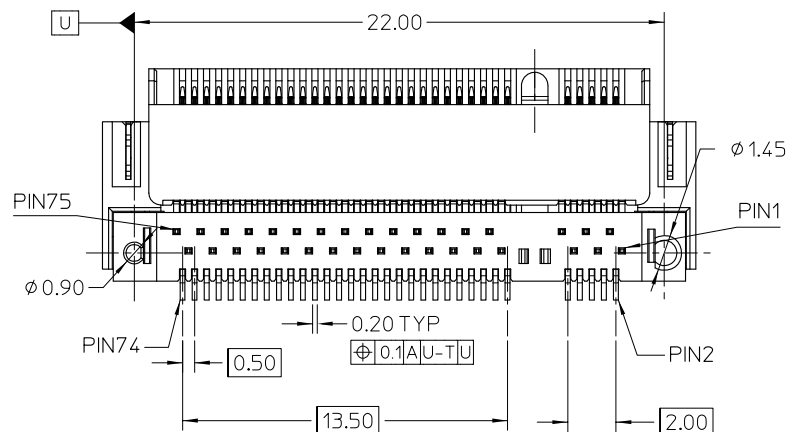
- HOUSING: HIGH TEMPERATURE THERMOPLASTIC UL94V-0, COLOR: BLACK
- BRACKET: HIGH TEMPERATURE THERMOPLASTIC UL94V-0, COLOR: BLACK
- TERMINAL: COPPER ALLOY
- FITTING NAIL: METAL ALLOY

2. PLATE:

- TERMINAL: CONTACT AREA: GOLD PLATING SEE TABLE LIST
- SOLDER TAIL: 2.0 MICROMETER MIN MATTE TIN
- UNDER PLATING: 1-3 MICROMETER NICKEL PLATING OVERALL.
- FITTING NAIL: 2.0 MICROMETER MIN MATTE TIN OVER 1.27 MICROMETER MIN NICKEL OVERALL.

3. DATE CODE FORMAT: YY MM DD(YY:YEAR MM:MONTH DD:DATE)

- THE LOCATION CAN BE ADJUSTED WHEN NEED;
- 4. PRODUCT SPECIFICATION IS REFERRED TO PS-80149-001
- 5. PACKAGE SPECIFICATION IS REFERRED TO PK-80149-215
- 6. MODULE SPECIFICATION IS REFER TO M.2 SPEC



RoHS Compliant

TOLERANCES ARE

MORETHANALL
PCB CONNECTORS
Cable ASSEMBLIES

煜倫股份有限公司

www.morethanall.com

DRAWING BY CY

CHECKED BY GENIUS

UNIT / mm

SCALE 1 : 1

DATE

SIZE A4

PJECTION

X, ±
.X ± 0.30
.XX ± 0.20
.XXX ±
ANG ±

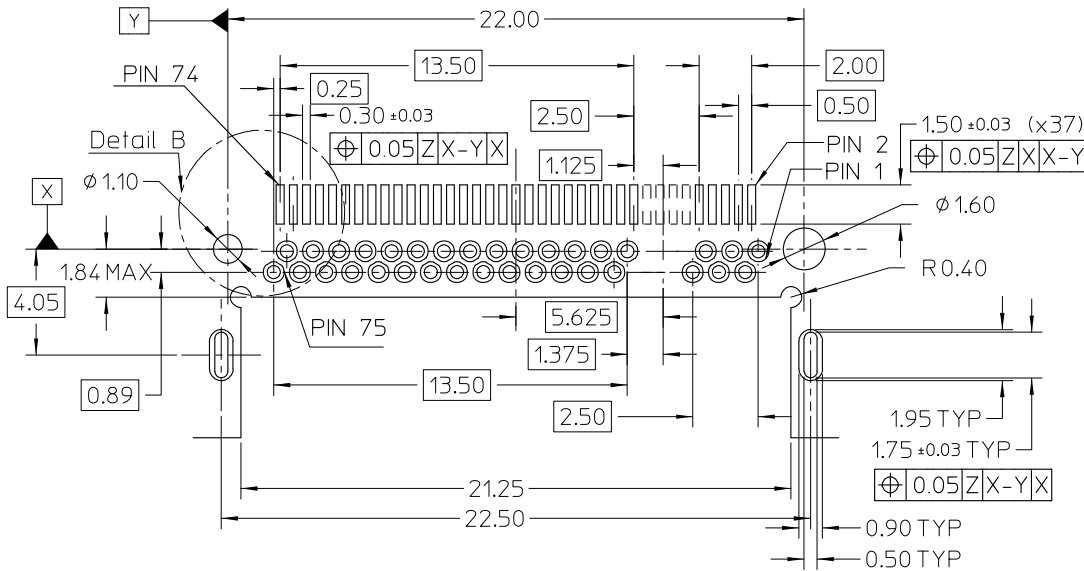
照片框

ORDER INFORMATION

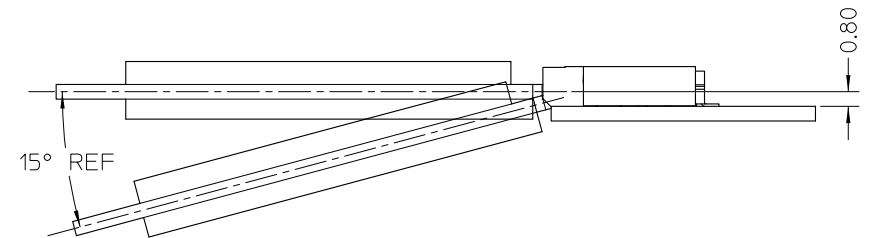
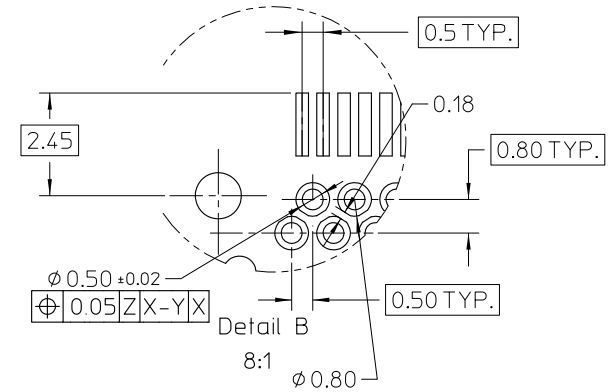
NGFF-RWF21-5611-LF

SERIES | | LEADFREE
56+11 WAY
HIGH 2.15mm
STAND OFF
DIP 90°+SMT

DESCRIPTION:



RECOMMENDED NGFF MINI CARD MOUNTING TYPE
DATUM Z: PCB SOLDER SURFACE



RoHS Compliant

TOLERANCES ARE

MORETHANALL
PCB CONNECTORS
Cable ASSEMBLIES

DRAWING BY CY

X, ±

CHECKED BY GENIUS

.X ± 0.30

UNIT / mm

SCALE 1 : 1

.XX ± 0.20

DATE

.XXX ±

ANG ±

照片框

ORDER INFORMATION

NGFF-RWF21-5611-LF

SERIES

LEADFREE

56+11 WAY

HIGH 2.15mm

STAND OFF

DIP 90°+SMT

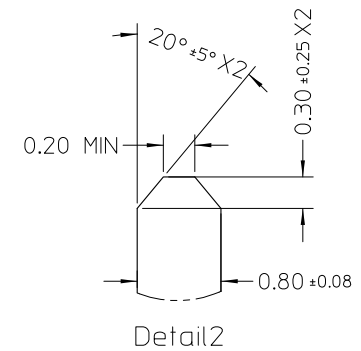
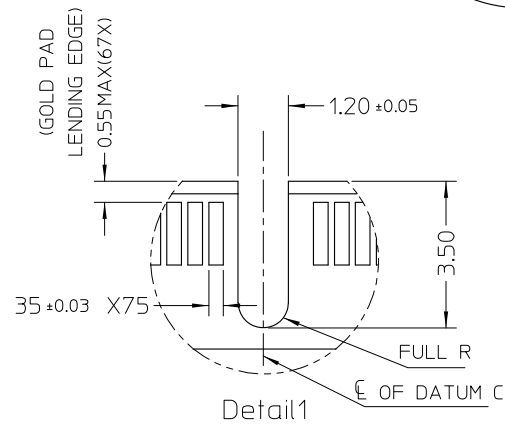
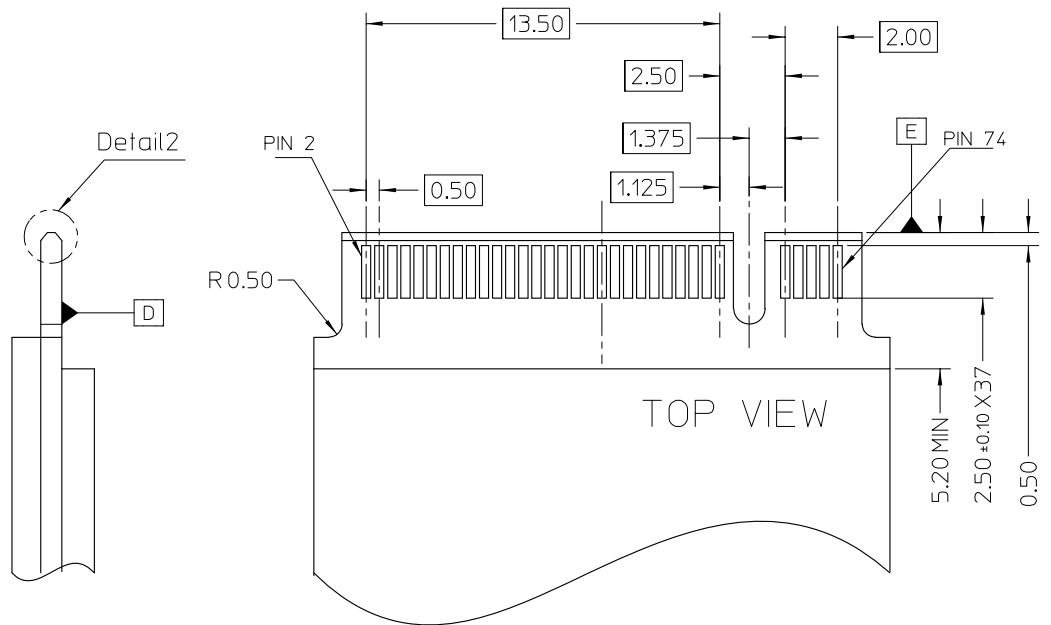
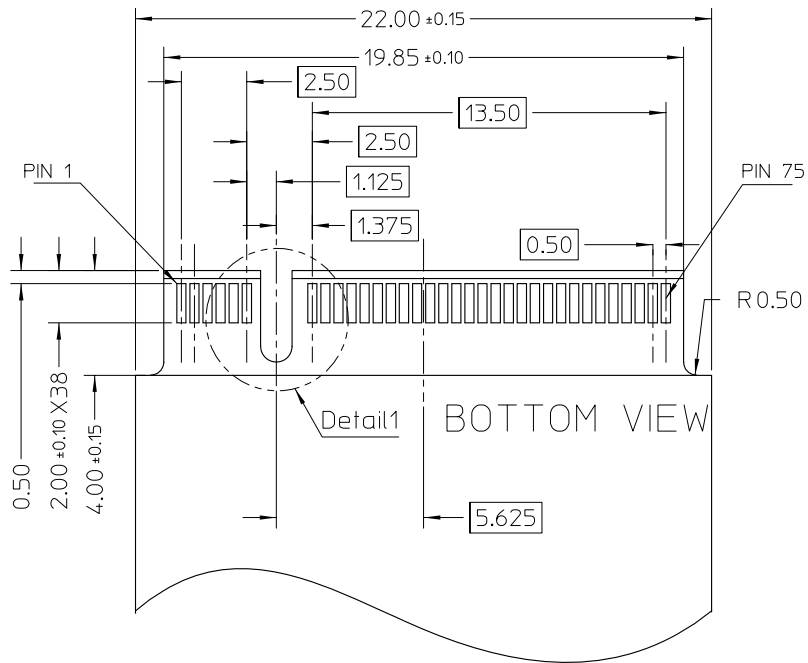
煜倫股份有限公司

www.morethanall.com

SIZE A4

PJECTION

DESCRIPTION:



RoHS Compliant

TOLERANCES ARE

MORETHANALL
PCB CONNECTORS
Cable ASSEMBLIES

DRAWING BY CY

X, ±

CHECKED BY GENIUS

.X ± 0.30

UNIT / mm

SCALE 1 : 1

.XX ± 0.20

DATE

.XXX ±

ANG ±

SIZE A4

PROJECTION

照片框

ORDER INFORMATION

NGFF-RWF21-5611-LF

SERIES

LEADFREE

56+11 WAY

HIGH 2.15mm

STAND OFF

DIP 90°+SMT

煜倫股份有限公司

www.morethanall.com

DESCRIPTION: