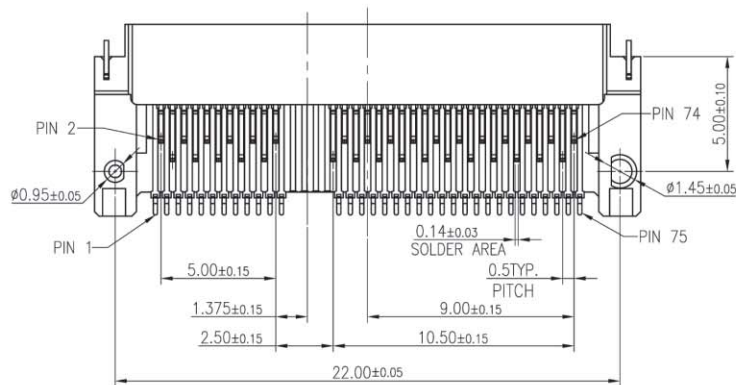
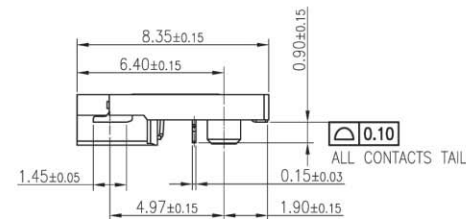
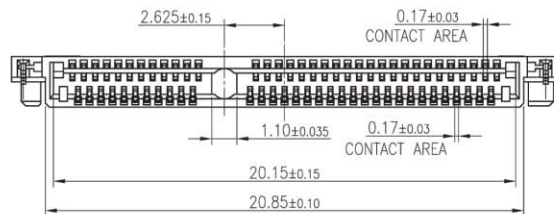


NOTES:

1. MATERIAL:
 - HOUSING: THERMOPLASTIC, BLACK COLOR, FLAME RESISTANCE UL94V-0.
 - CONTACT: COPPER ALLOY.
 - SOLDER PEGS: COPPER ALLOY.
2. FINISHED:
 - CONTACTS: GOLD PLATING ON CONTACT AREA.(SEE P/N)
 - 50 μ "~150 μ " MATTE TIN ON THE SOLDER AREA.
 - 50 μ "~150 μ " NICKEL UNDER PLATING OVER ALL.
 - SOLDER PEGS: 50 μ "~150 μ " MATTE TIN PLATING OVER ALL.
 - 50 μ "~150 μ " NICKEL UNDER PLATED OVER ALL.
3. MSL LEVEL:
 - MSL(MOISTURE SENSITIVITY LEVEL)=1.



RoHS Compliant

TOLERANCES ARE

MORETHANALL
PCB CONNECTORS
Cable ASSEMBLIES

DRAWING BY CY

X, ±

CHECKED BY GENIUS

.X ± 0.35

UNIT / mm

SCALE 1 : 1

.XX ± 0.25

DATE

.XXX ±

ANG ± 1°

SIZE A4

PJECTION

照片框

ORDER INFORMATION

NGFF-RWF12R-2344-LF

SERIES

LEADFREE

23+44 WAY

REEL

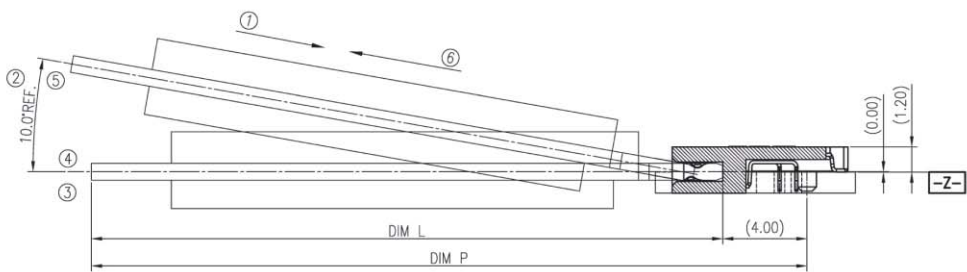
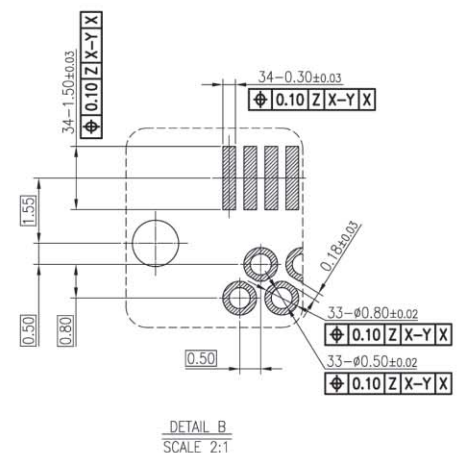
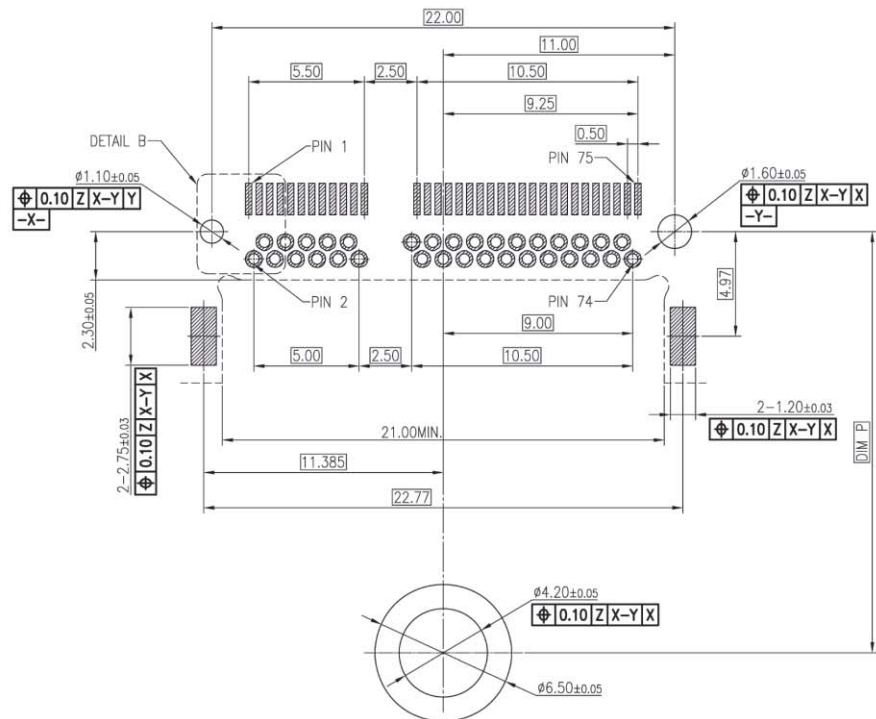
STAND OFF 1.2mm

DIP 90°+SMT

煜倫股份有限公司

www.morethanall.com

DESCRIPTION:



MATING: ① INITIAL INSERTING(10°) → ② ROTATING → ③ FIXED
 UNMATING: ④ UNFIXED → ⑤ ROTATING → ⑥ WITHDRAWING

RoHS Compliant

TOLERANCES ARE

X, ±
 .X ± 0.35
 .XX ± 0.25
 .XXX ±
 ANG ± 1°

照片框

ORDER INFORMATION

NGFF-RWF12R-2344-LF
 SERIES REEL LEADFREE
 23+44 WAY
 STAND OFF 1.2mm
 DIP 90°+SMT

MORETHANALL
 PCB CONNECTORS
 Cable ASSEMBLIES

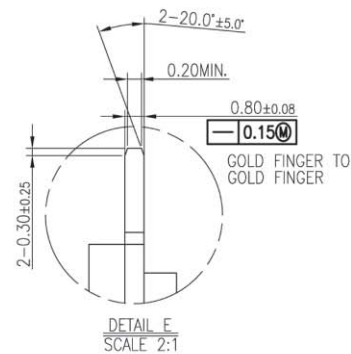
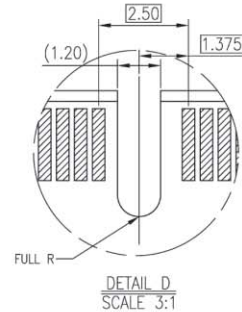
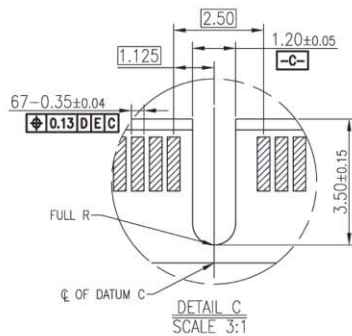
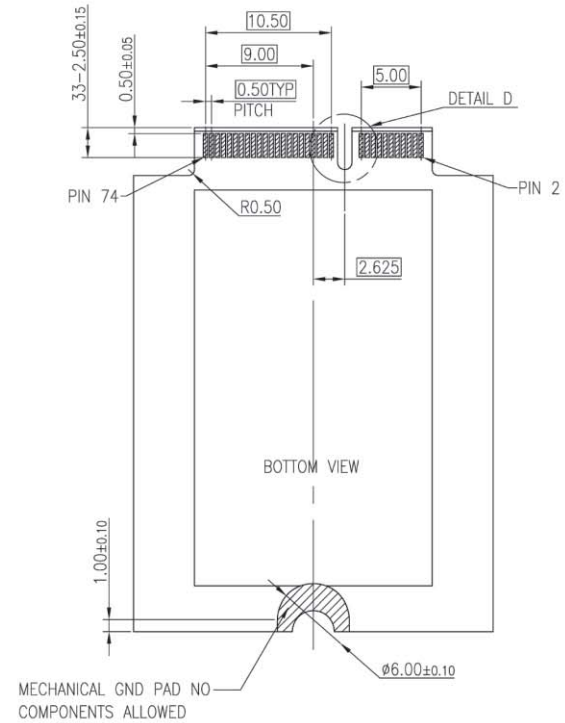
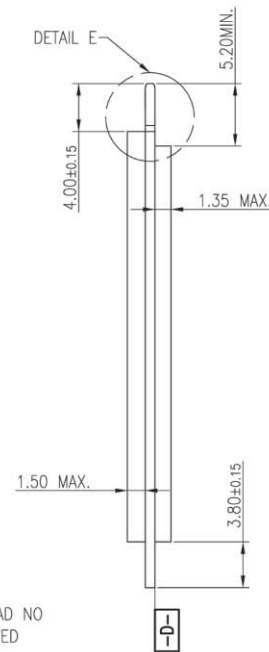
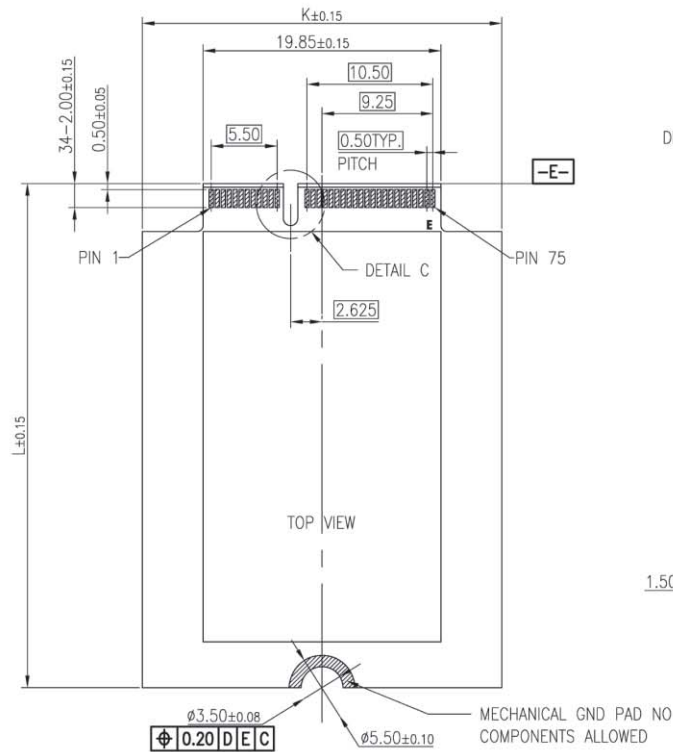
煜倫股份有限公司

www.morethanall.com

DRAWING BY CY
 CHECKED BY GENIUS
 UNIT / mm SCALE 1:1
 DATE
 SIZE A4

PJECTION

DESCRIPTION:



30.00	110.00	114.00
	80.00	84.00
	60.00	64.00
22.00	42.00	46.00
	30.00	34.00
DIM. K	DIM. L	DIM. P

RoHS Compliant

TOLERANCES ARE

MORETHANALL
PCB CONNECTORS
Cable ASSEMBLIES

DRAWING BY CY

X. ±

CHECKED BY GENIUS

.X ± 0.35

UNIT / mm

SCALE 1 : 1

.XX ± 0.25

DATE

.XXX ±

ANG ± 1°

SIZE A4

PJECTION

照片框

ORDER INFORMATION

NGFF-RWF12R-2344-LF

SERIES

LEADFREE

23+44 WAY

REEL

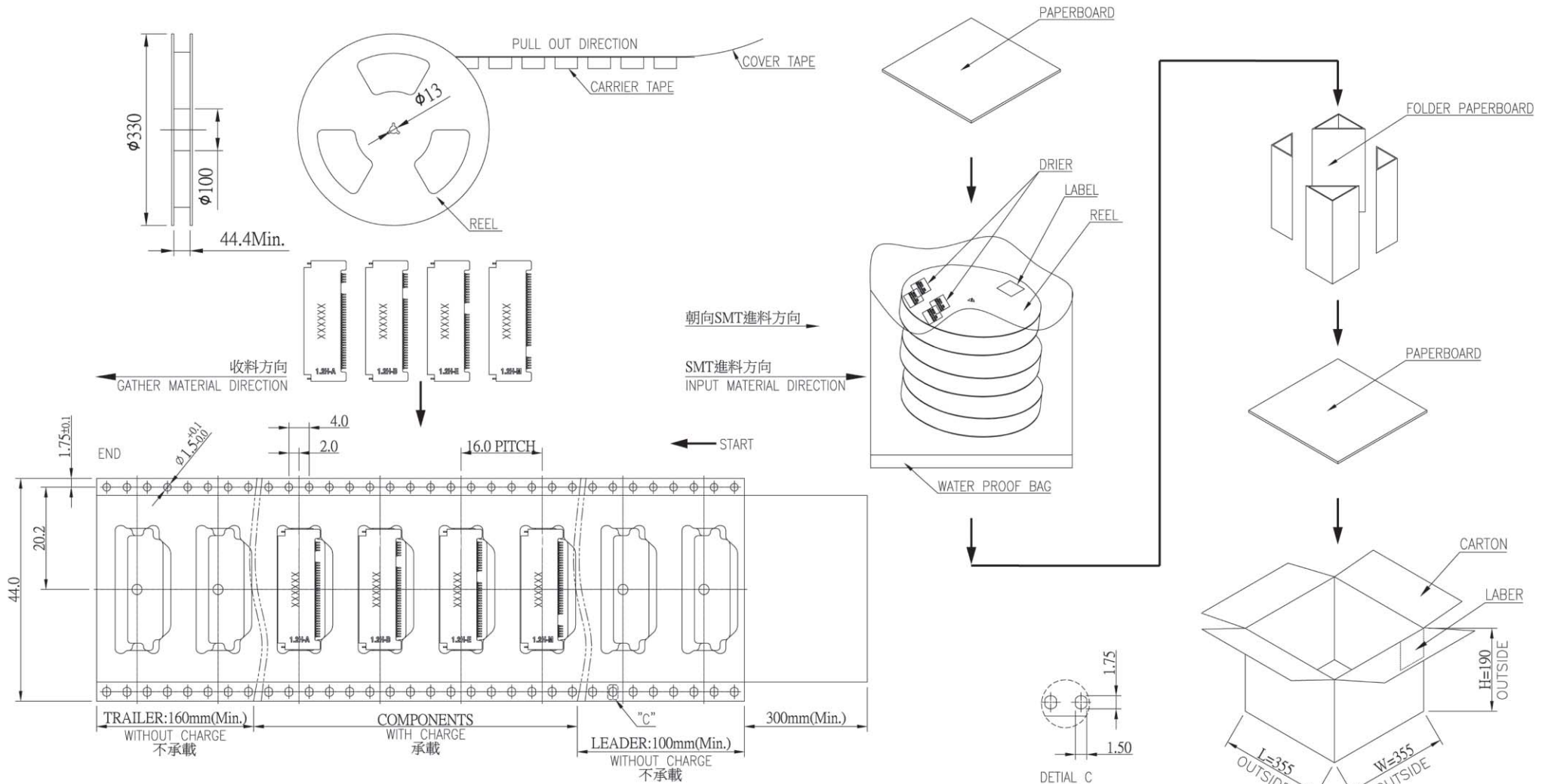
STAND OFF 1.2mm

DIP 90°+SMT

煜倫股份有限公司

www.morethanall.com

DESCRIPTION:



PART NO.	PCS/REEL	REEL/CARTON	PCS/CARTON
NGFF-RWF12R-2344	1400	3	4.20K

RoHS Compliant

TOLERANCES ARE

MORETHANALL
PCB CONNECTORS
Cable ASSEMBLIES

DRAWING BY CY

CHECKED BY GENIUS

UNIT / mm

SCALE 1 : 1

DATE

SIZE A4

X, \pm
.X \pm 0.35
.XX \pm 0.25
.XXX \pm
ANG \pm 1°

PJECTION

照片框

ORDER INFORMATION

NGFF-RWF12R-2344-LF

SERIES

LEADFREE

23+44 WAY

REEL

STAND OFF 1.2mm

DIP 90°+SMT

DESCRIPTION:

煜倫股份有限公司

www.morethanall.com