

- NOTES:
- MATERIAL:
 - HOUSING: THERMOPLASTIC , BLACK COLOR , FLAME RESISTANCE UL94-V0.
 - CONTACT: COPPER ALLOY .
 - SOLDER PEGS: COPPER ALLOY
 - FINISHED:
 - CONTACTS: GOLD PLATING ON CONTACT AREA.(SEE P/N)
 - 50~150u" MATTE TIN ON THE SOLDER AREA.
 - 50~150u" NICKEL PLATING OVER ALL.
 - SOLDER PEGS: 50~150u" MATTE TIN PLATING OVER ALL.
 - 50~150u" NICKEL UNDER PLATED OVER ALL.
 - MSL LEVEL:
 - MSL(MOISTURE SENSITIVITY LEVEL)=1.

RoHS Compliant

TOLERANCES ARE

MORETHANALL
PCB CONNECTORS
Cable ASSEMBLIES

DRAWING BY CY

X. ±

CHECKED BY GENIUS

.X ± 0.35

UNIT / mm

SCALE 1 : 1

.XX ± 0.25

DATE

.XXX ±

ANG ±

SIZE A4

PJECTION

照片框

ORDER INFORMATION

NGFF-RWF12-2344-LF

SERIES

LEADFREE

23+44 WAY

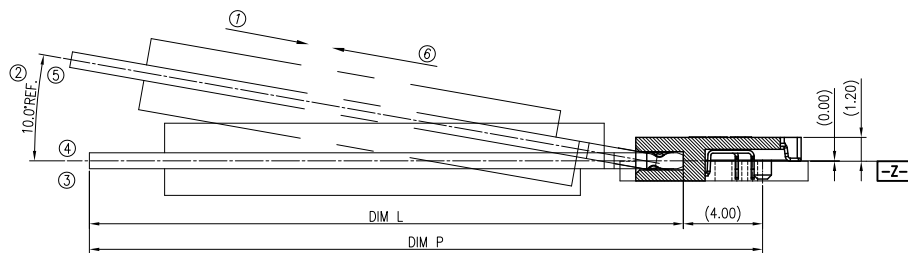
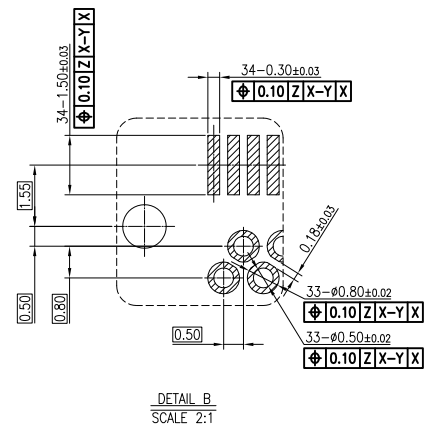
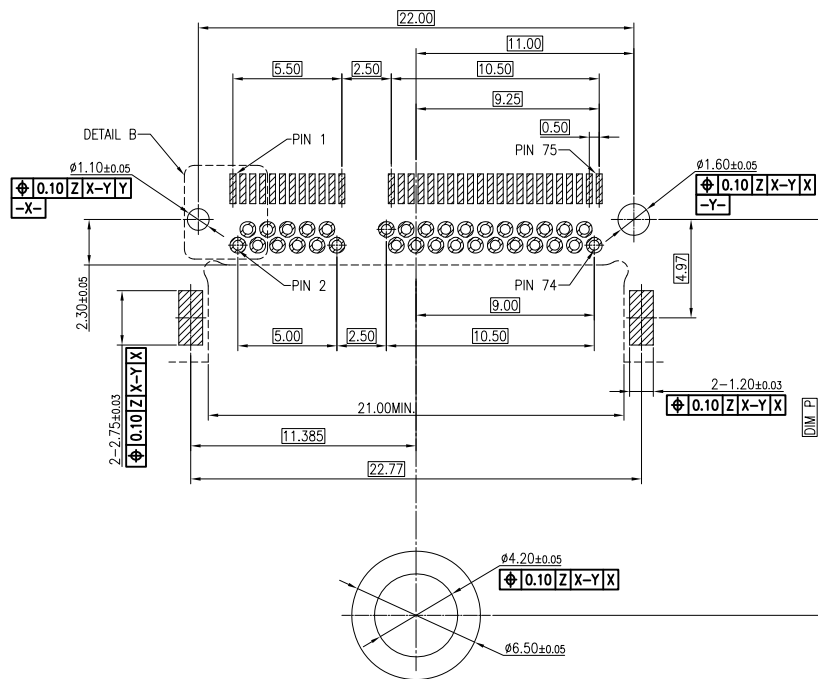
STAND OFF 1.2mm

DIP 90°+SMT

煜倫股份有限公司

www.morethanall.com

DESCRIPTION: M.2(NGFF) CARD CONNECTOR SINKING E KEY 1.2H



HOW TO MATE AND UNMATE

MATING: ① INITIAL INSERTING(10°) → ② ROTATING → ③ FIXED

UNMATING: ④ UNFIXED → ⑤ ROTATING → ⑥ WITHDRAWING

RoHS Compliant

TOLERANCES ARE

MORETHANALL
PCB CONNECTORS
Cable ASSEMBLIES

DRAWING BY CY

CHECKED BY GENIUS

UNIT / mm

SCALE 1 : 1

DATE

SIZE A4

X, ±
.X ± 0.35
.XX ± 0.25
.XXX ±
ANG ±

PJECTION

照片框

ORDER INFORMATION

NGFF-RWF12-2344-LF

SERIES

LEADFREE

23+44 WAY

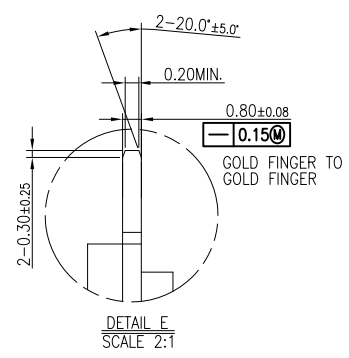
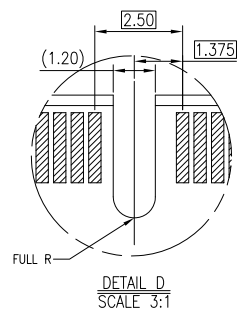
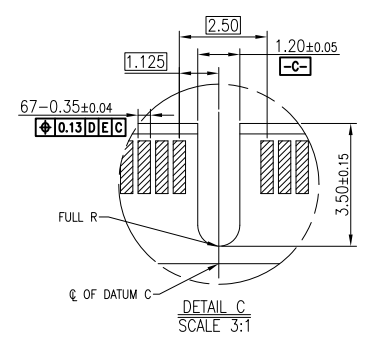
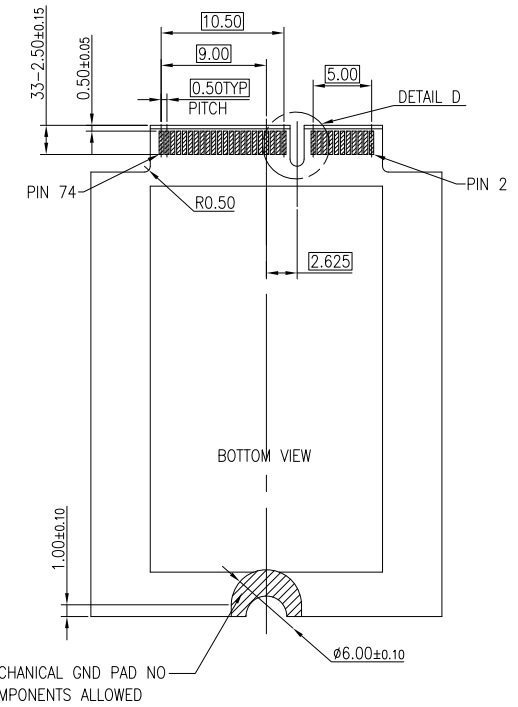
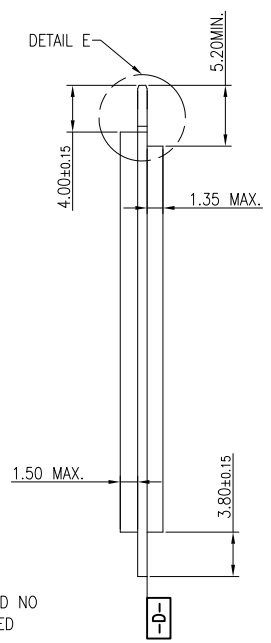
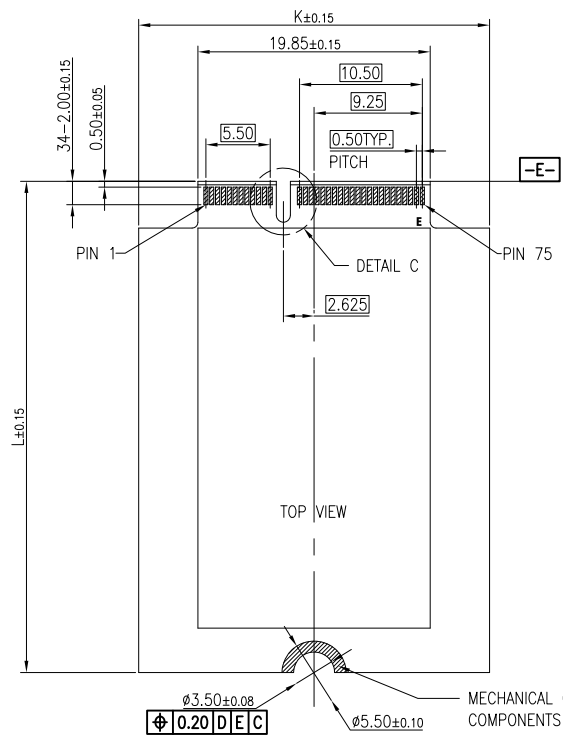
STAND OFF 1.2mm

DIP 90°+SMT

煜倫股份有限公司

www.morethanall.com

DESCRIPTION: M.2(NGFF) CARD CONNECTOR SINKING E KEY 1.2H



30.00	110.00	114.00
	80.00	84.00
	60.00	64.00
22.00	42.00	46.00
	30.00	34.00
DIM. K	DIM. L	DIM. P

RoHS Compliant

TOLERANCES ARE

MORETHANALL
PCB CONNECTORS
Cable ASSEMBLIES
煜倫股份有限公司
www.morethanall.com

DRAWING BY CY
CHECKED BY GENIUS
UNIT / mm SCALE 1 : 1
DATE
SIZE A4

X. ±
.X ± 0.35
.XX ± 0.25
.XXX ±
ANG ±



ORDER INFORMATION

NGFF-RWF12-2344-LF
SERIES LEADFREE
23+44 WAY
STAND OFF 1.2mm
DIP 90°+SMT

DESCRIPTION: M.2(NGFF) CARD CONNECTOR SINKING E KEY 1.2H