

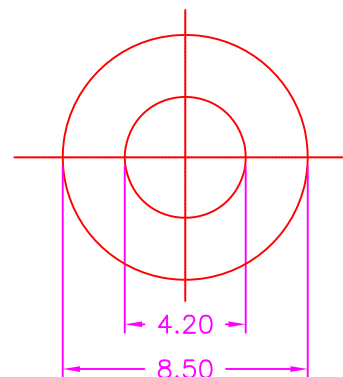
INFORMATION

COMPATIBLE NGFF (M.2) DRAWING NO:
MCEGT SERIES

COMPATIBLE SCREW DRAWING NO:
ZMCEGT-002 OR ZMCEGT-003 OR ZMCEGT-004

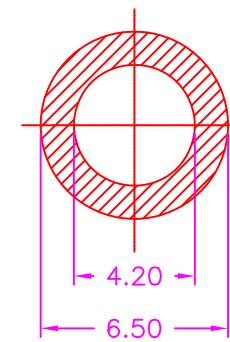
MATERIALS

BODY: LOW LEAD COPPER, TIN PLATING
MYLAR: POLYIMIDE FILM



STEEL PLATE DIM.

P.C.B LAYOUT
TOP VIEW ± 0.05



SOLDER AREA

P.C.B LAYOUT
TOP VIEW ± 0.05

TABLE

P/N	D	E	NGFF HEIGHT
NGFF-LS20C-1156	0.35mm	0.70mm	2.00mm
NGFF-LS30C-1156	1.45mm	0.70mm	3.00mm
NGFF-LS40C-1156	2.45mm	0.70mm	4.00mm
NGFF-LS55C-1156	4.00mm	0.80mm	5.50mm
NGFF-LS58C-1156	4.20mm	0.80mm	5.80mm
NGFF-LS85C-1156	6.80mm	0.80mm	8.50mm

RoHS Compliant

TOLERANCES ARE

MORETHANALL
PCB CONNECTORS
Cable ASSEMBLIES

煜倫股份有限公司

www.morethanall.com

DRAWING BY CY

CHECKED BY GENIUS

UNIT / mm SCALE 1 : 1

DATE

SIZE A4

X. ± 0.40
.X ± 0.30
.XX ± 0.20
.XXX ± 0.10
ANG \pm

PPOJECTION

照片框

ORDER INFORMATION

NGFF-LSxxC-1156-LF

SERIES | | | LEADFREE
11+56WAY
MYLAR

LATCH SCREW 20: NGFF HIGH 2.00mm
85: NGFF HIGH 8.50mm

DESCRIPTION: COPPER TUBE FOR NGFF (M.2)