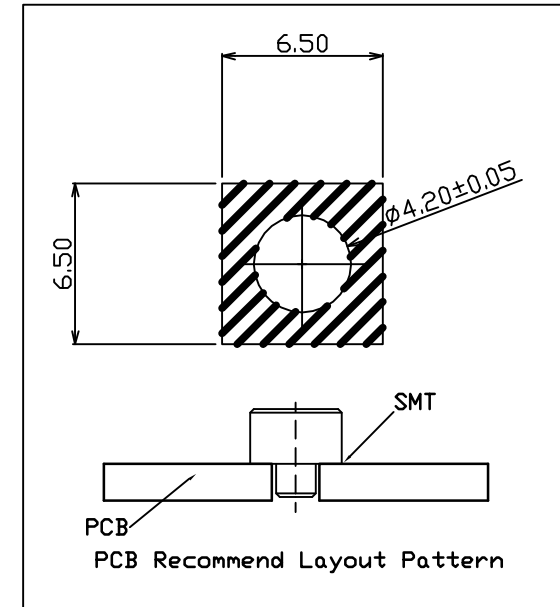
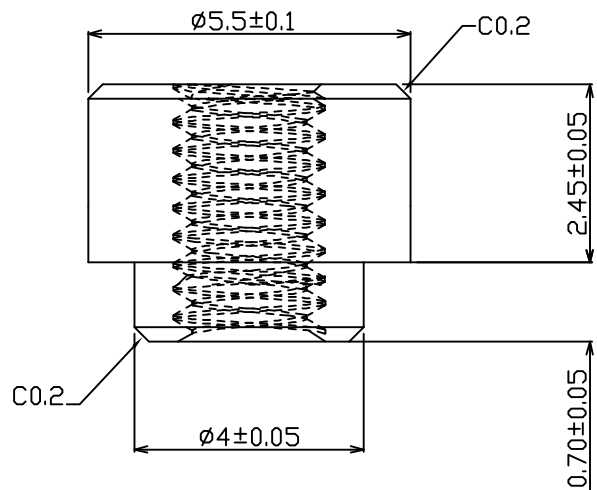


NOTE:

- 1.MATERIAL: Copper Alloy
- 2.Plating: Sn.



RoHS Compliant

TOLERANCES ARE

MORETHANALL
PCB CONNECTORS
Cable ASSEMBLIES

DRAWING BY CY

X. ±

CHECKED BY GENIUS

.X ± 0.20

UNIT / mm

SCALE 1 : 1

.XX ±

DATE

.XXX ±

ANG ± 3°

SIZE A4

PJECTION

照片框

ORDER INFORMATION

NGFF-LS42C-1156-LF

SERIES

LEADFREE

11+56WAY

MYLAR
HIGH 4.2mm

LATCH SCREW

煜倫股份有限公司

www.morethanall.com

DESCRIPTION: M.2 Connector Stand Off