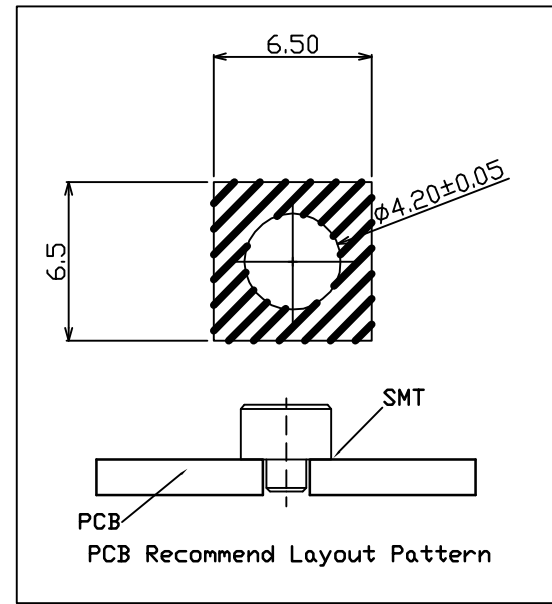


NOTE:  
 1.MATERIAL: Copper Alloy  
 2.Plating: Sn.



RoHS Compliant

TOLERANCES ARE



DRAWING BY CY

CHECKED BY GENIUS

UNIT / mm SCALE 1 : 1

DATE

SIZE A4

X. ±  
 .X ± 0.20  
 .XX ±  
 .XXX ±  
 ANG ± 3°

PJECTION

照片框

ORDER INFORMATION

NGFF-LS32C-5809-LF

SERIES | | | LEADFREE  
 | | | 58+09WAY  
 | MYLAR  
 | HIGH 3.2mm  
 | LATCH SCREW

DESCRIPTION: M.2 Connector Stand Off

煜倫股份有限公司

www.morethanall.com