

## Features:

- 2 ~ 8 circuits available
- Material: PA4T + 30%GF, UL 94V-0

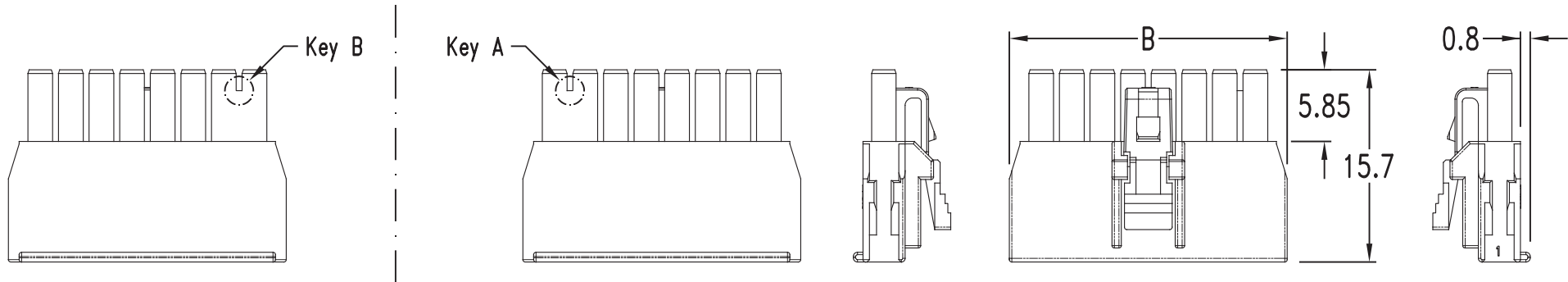
## Specification:

- Current rating: 4A AC, DC
- Voltage rating: 250V AC, DC
- Insulation resistance: 1000M $\Omega$  Max.
- Dielectric withstanding voltage: 1500V AC/minute
- Ambient temperature range: -40°C ~ 105°C

### Dimensional Information ( mm )

Circuits	Dim. A	Dim. B
N	2.5 x ( N - 1 )	2.5 x N + 2.7

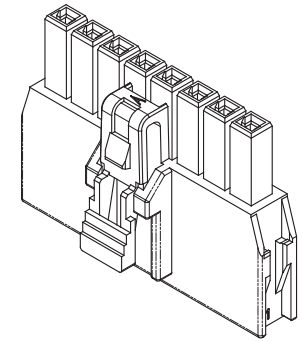
&& N = 2 ~ 8



## Ordering Information

Part No.	Color	
NF-SHBK-1Xxx	Black	Key A
NF-SHWH-1Xxx	Natural	Key B

&& xx = 02 ~ 08



RoHS Compliant

TOLERANCES ARE

**MORETHANALL**  
PCB CONNECTORS  
Cable ASSEMBLIES

DRAWING BY CY

X,  $\pm$

.X  $\pm$  0.40

CHECKED BY GENIUS

.XX  $\pm$  0.25

UNIT / mm

SCALE 1 : 1

.XXX  $\pm$  0.08

DATE

ANG  $\pm$

SIZE A4

PJECTION

照片框

### ORDER INFORMATION

NF-SHxx-1Xxx-LF  
SERIES | LEADFREE  
1X02:02WAY  
1X08:08WAY  
FEMALE | BK:BLACK  
WH:WHITE  
HOUSING

DESCRIPTION: .098"(2.5mm) Single Row Receptacle Housing

煜倫股份有限公司

www.morethanall.com