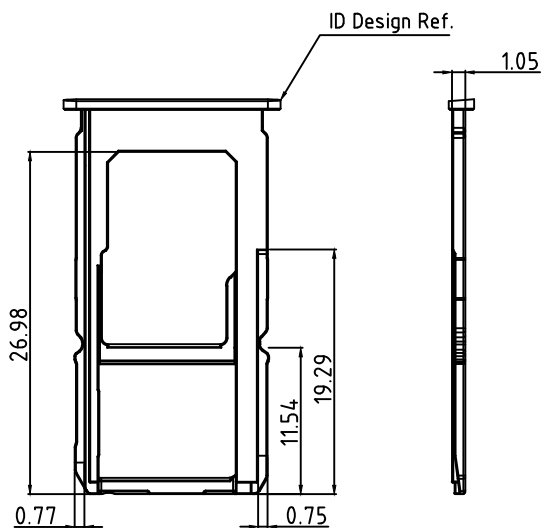
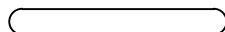
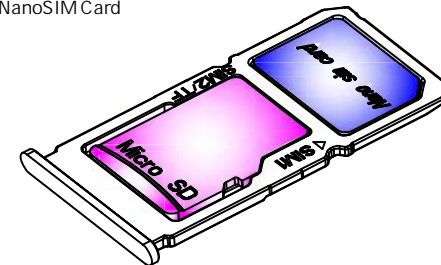


MATERIAL:

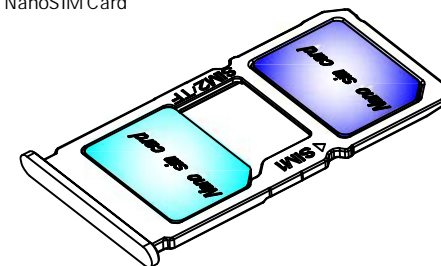
TRAY-MATERIAL: Zn#5(壓鑄,斷料,噴砂,鍍沙丁鍍,選別,TRAY包裝)



1, MicroSD Card + NanoSIM Card



2, NanoSIM Card + NanoSIM Card



RoHS Compliant

TOLERANCES ARE

**MORETHANALL**  
PCB CONNECTORS  
Cable ASSEMBLIES  
煜倫股份有限公司

DRAWING BY CY

X. ± 0.30

CHECKED BY GENIUS

.X ± 0.20

UNIT / mm

SCALE 1 : 1

.XX ± 0.10

DATE

.XXX ±

ANG ± 1°

SIZE A4

PPOJECTION

照片框

ORDER INFORMATION

NASTFC-W15MB-302-LF

SERIES

LEADFREE

3 IN 2

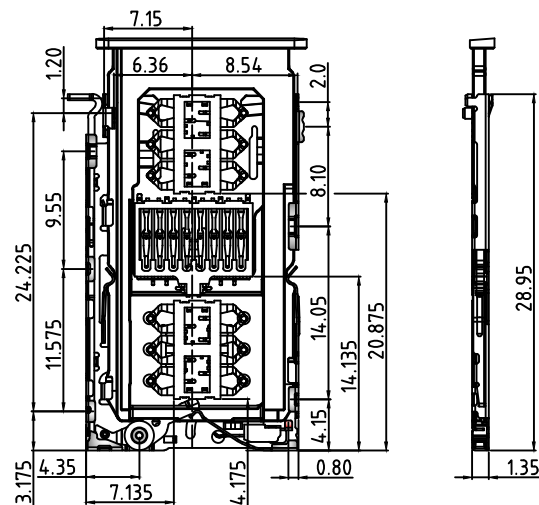
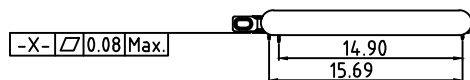
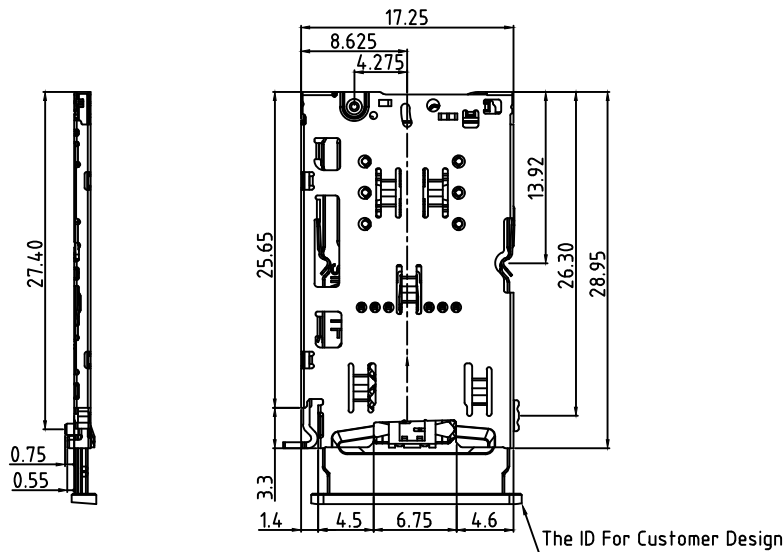
OPEN

7.225+8.55 METAL FOOT

90° SMT

DESCRIPTION: METAL-TRAY

www.morethanall.com



THIS IS CAD DRAWING, DO NOT REVISE MANUALLY!!!

**MECHANICAL**

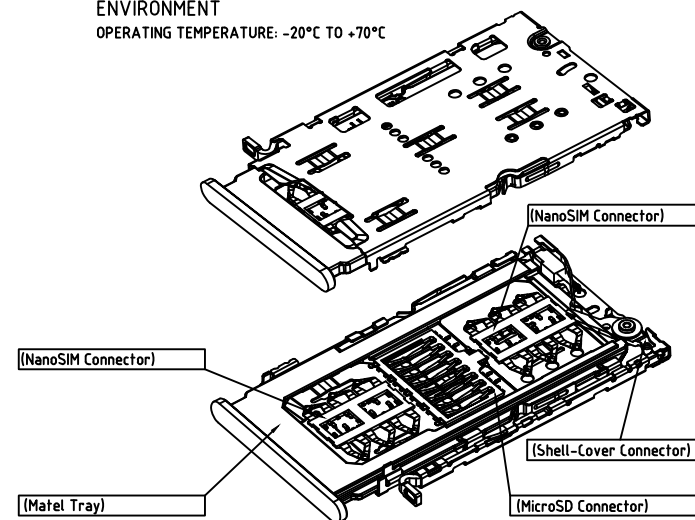
INSULATOR: HIGH TEMPERATURE THERMOPLASTIC, UL94 V-0 RATED.  
 COLOR OF INSULATOR: BLACK  
 CONTACT: COPPER ALLOY  
 CONTACT FINISH: GOLD(Au 3-5u") ON MATING AREA; FLASH GOLD ON SOLDER TAILS;  
 ALL OVER 50u" NICKEL UNDER-PLATED.  
 SHELL: STAINLESS STEEL  
 GROUND PAD: COPPER ALLOY  
 GROUND PAD: GOLD OVER NICKEL UNDER-PLATED  
 DURABILITY: 3,000 CYCLES MINIMUM

**ELECTRICAL**

CONTACT RESISTANCE: 100 MILLIOHMS MAXIMUM  
 INSULATION RESISTANCE: 1000M OHM MINIMUM AT 500 VDC.  
 DIELECTRIC WITHSTANDING VOLTAGE: 500 VAC/RMS FOR ONE MINUTE  
 CURRENT RATING: 0.5A MAXIMUM

**ENVIRONMENT**

OPERATING TEMPERATURE: -20°C TO +70°C



ITEM	NOTE	Q'TY
1	NanoSIM Connector	2
2	MicroSD Connector	1
3	Shell-Cover+Cam-Bar+Push-Bar	1
4	Matel Tray For Customer ID	1

RoHS Compliant

TOLERANCES ARE

**MORETHANALL**  
 PCB CONNECTORS  
 Cable ASSEMBLIES  
 焯倫股份有限公司

DRAWING BY CY

X ± 0.30

CHECKED BY GENIUS

.X ± 0.20

UNIT / mm

SCALE 1 : 1

.XX ± 0.10

DATE

.XXX ±

ANG ± 1°

SIZE A4

PJECTION

照片框

ORDER INFORMATION

NASTFC-W15MB-302-LF

SERIES

LEADFREE

3 IN 2

OPEN

7.225+8.55 METAL FOOT

90° SMT

DESCRIPTION:

www.morethanall.com

