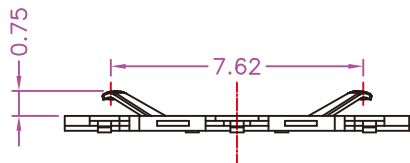


P.C.B LAYOUT
TOP VIEW ±0.05



MATERIALS

HOUSING: LCP (UL 94V-0), BLACK
TERMINAL: COPPER ALLOY, GOLD PLATING

SPECIFICATION

CURRENT RATING: 0.5 AMP MAX
DIELECTRIC WITHSTANDING: 500V AC FOR ONE MINUTE
CONTACT RESISTANCE: 100m OHMS MAX
INSULATION RESISTANCE: 1000M OHMS MIN AT DC 500V
OPERATION TEMPERATURE: -40°C~+85°C

PIN No.	FUNCTION
PIN 1	VCC
PIN 2	RST
PIN 3	CLK
PIN 4	GND
PIN 5	VPP
PIN 6	I/O

RoHS Compliant

TOLERANCES ARE

MORETHANALL
PCB CONNECTORS
Cable ASSEMBLIES

煜倫股份有限公司

www.morethanall.com

DRAWING BY CY

CHECKED BY GENIUS

UNIT/mm SCALE 1:1

DATE

SIZE A4

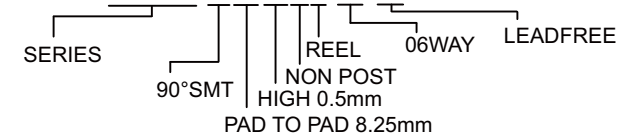
X, ±
.X ± 0.30
.XX ± 0.20
.XXX ± 0.10
ANG ± 5°

P PROJECTION

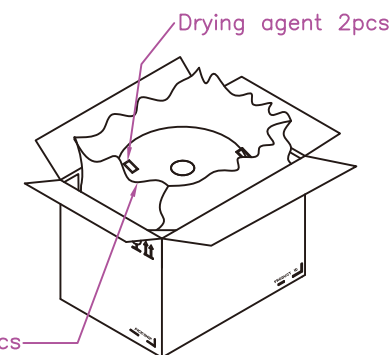
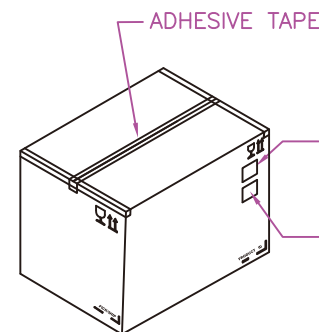
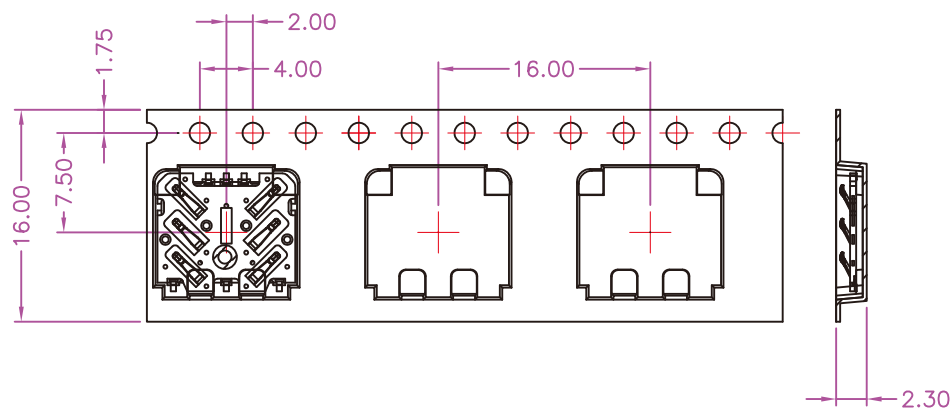
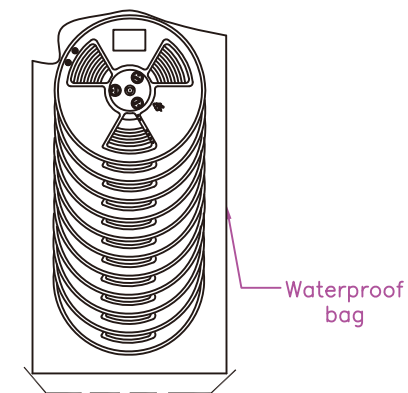
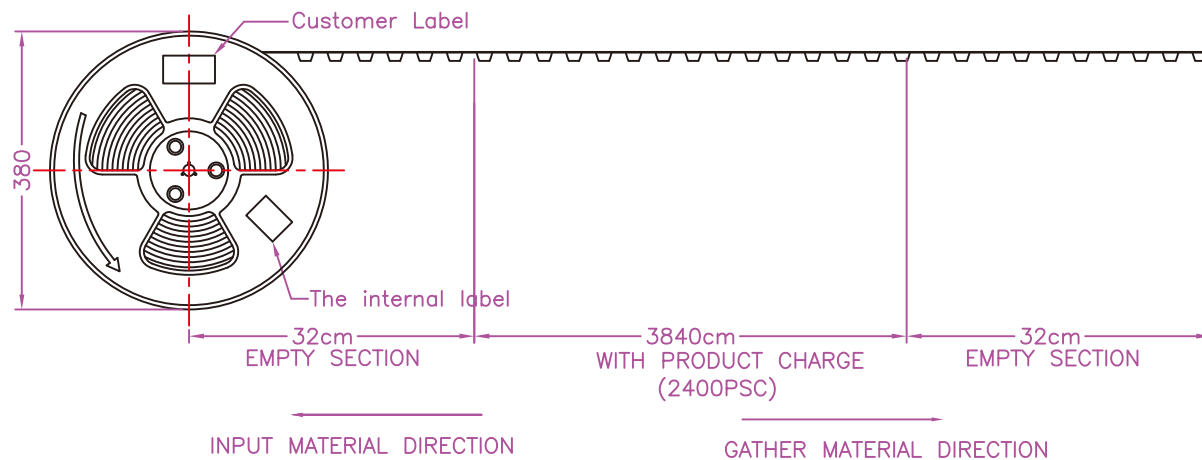
照片框

ORDER INFORMATION

NASCX-W0805XR-06-LF



DESCRIPTION: MEMORY CARD SERIES
NANO SIM CARD, 6PIN, PCB MOUNT, SMT FEMALE



NOTE:
 2400 PCS/REEL
 18 REELS/SHIPPING CARTON
 43200 PCS/SHIPPING CARTON

MORETHANALL
 PCB CONNECTORS
 Cable ASSEMBLIES

煜倫股份有限公司

www.morethanall.com

RoHS Compliant

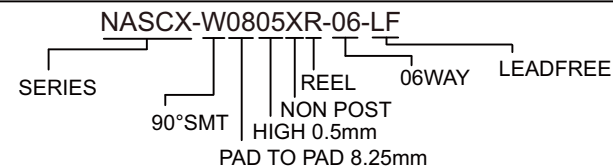
DRAWING BY CY
 CHECKED BY GENIUS
 UNIT/mm SCALE 1:1
 DATE
 SIZE A4 PPROJECTION

TOLERANCES ARE

X, ±
 .X ± 0.30
 .XX ± 0.20
 .XXX ± 0.10
 ANG ± 5°

照片框

ORDER INFORMATION



DESCRIPTION: MEMORY CARD SERIES
 NANO SIM CARD, 6PIN, PCB MOUNT, SMT FEMALE