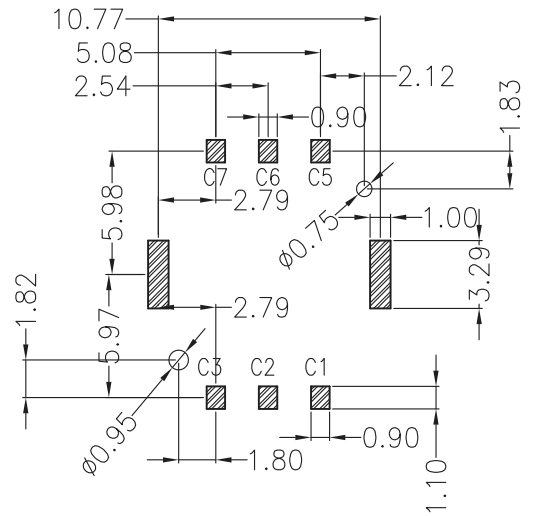


SIM pin assignment	
PIN#	Name
C1	VCC供電電壓
C2	RST重置
C3	CLK時鐘
C5	GND接地
C6	VPP程序電壓
C7	I/O輸入輸出

- NOTES:
- MATERIAL:
 - INSULATOR: LCP UL94V-0;BLACK.
 - TERMINAL:COPPER ALLOY.
 - SHELL:STAINLESS STEEL
 - PLATING:
 - CONTACT: 30U" NI UNDERPLATED OVERALL
G/F PLATED ON CONTACT AREA & SOLDER AREA
 - SHELL: PLATED 30U" NI OVERALL,G/F PLATED ON SOLDER AREA
Shell: G/F PLATED ON SOLDER AREA,NI PLATED OVERALL
 - Electrical:
 - CURRENT RATING :0.5A
 - VOLTAGE RATING :30V DC
 - AMBIENT TEMPERATURE RANGE :-20°C~+60°C
 - STORAGE TEMPERATURE RANGE :-40°C~+70°C
 - AMBIENT HUMIDITY RANGE :95% R.H. MAX.
 - CONTACT RESISTANCE:100MΩ MAX.
 - INSULATION RESISTANCE:1000MΩ MIN./500VDC
 - MATING CYCLES:5,000 INSERTIONS
 - REFLOW PEAK TEMP.:260°C ±5°C, 3~5 S
 - MATING CYCLES:3,000 INSERTIONS MIN



RoHS Compliant

TOLERANCES ARE

MORETHANALL
PCB CONNECTORS
Cable ASSEMBLIES
煜倫股份有限公司
www.morethanall.com

DRAWING BY CY
CHECKED BY GENIUS
UNIT / mm SCALE 1 : 1
DATE
SIZE A4 PPROJECTION

X. ±
.X ± 0.30
.XX ± 0.20
.XXX ± 0.10
ANG ±



ORDER INFORMATION

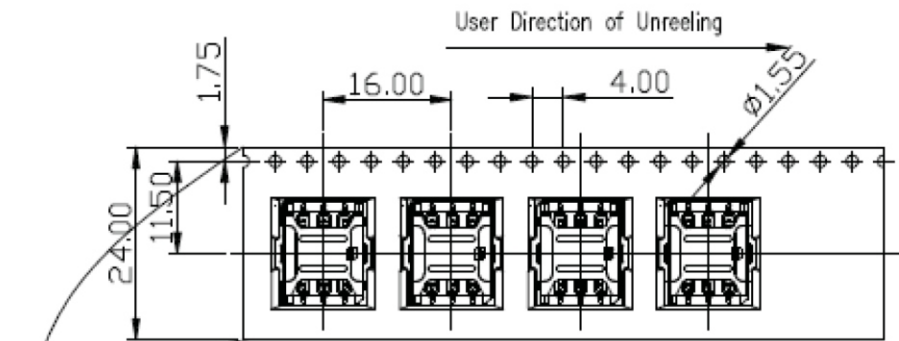
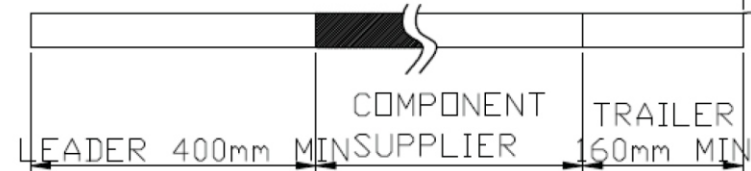
NASCT-W113PR-06-LF
SERIES | | | | | LEADFREE
| | | | | 06WAY
| | | | | REEL
| | | | | POST
90°SMT | | | | | HIGH 1.35mm
| | | | | PAD TO PAD 11.0mm

DESCRIPTION: Nano SIM POST 1.35PUSH-PULL

NOTES

1. NUMBER OF CONNECTORS:1800PCS/REEL
2. LEAD TAPE LENGTH

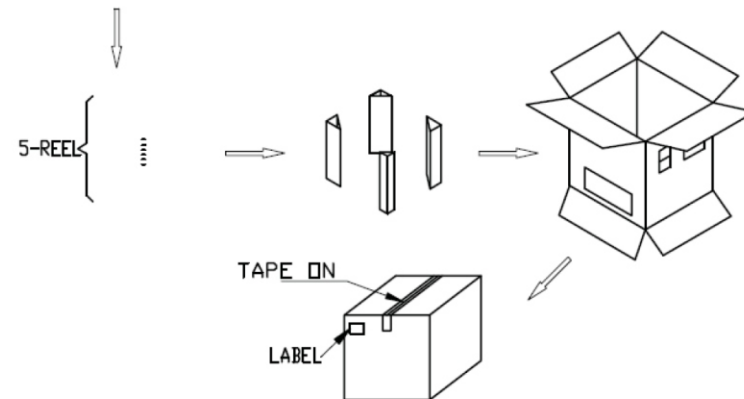
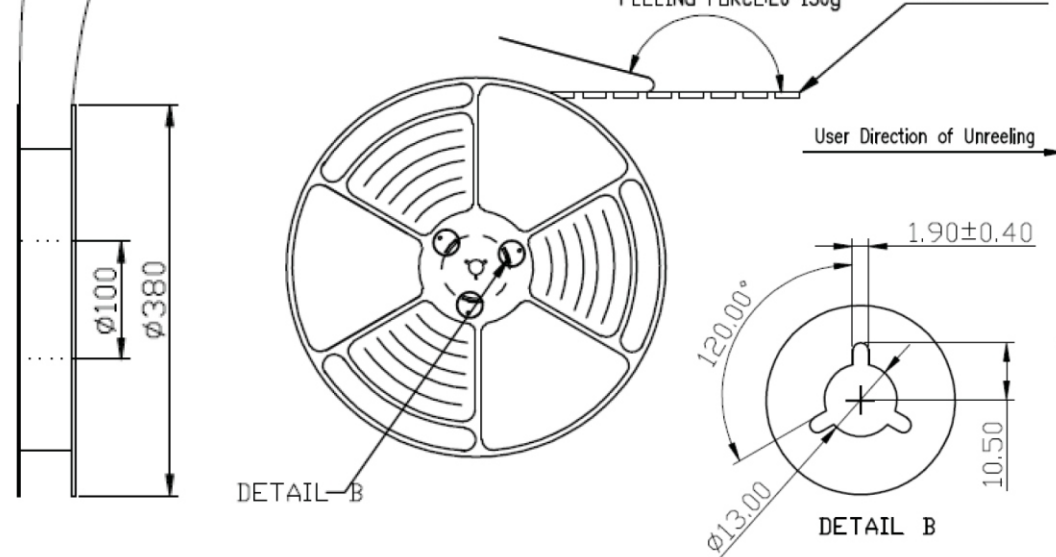
COVER TAPE
(300mm Min)



COVER TAPE PEELING ANGLE:165°~180°
PEELING FORCE:20~130g

CARRIER TAPE

3. QUANTITY:9000PCS/CARTON



RoHS Compliant

TOLERANCES ARE

MORETHANALL
PCB CONNECTORS
Cable ASSEMBLIES

DRAWING BY CY

CHECKED BY GENIUS

UNIT / mm

SCALE 1:1

DATE

SIZE A4

P PROJECTION

X, ±
.X ± 0.30
.XX ± 0.20
.XXX ± 0.10
ANG ±

照片框

ORDER INFORMATION

NASCT-W1113PR-06-LF

SERIES

LEADFREE

REEL

POST

HIGH 1.35mm

PAD TO PAD 11.0mm

90°SMT

06WAY

REEL

POST

HIGH 1.35mm

PAD TO PAD 11.0mm

煜倫股份有限公司

www.morethanall.com

DESCRIPTION: Nano SIM POST 1.35PUSH-PULL