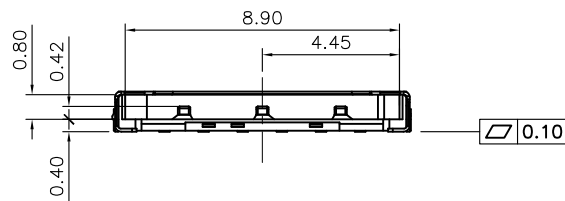


RECOMMENDED LAYOUT
GENERAL TOLERANCE: ±0.05

SIM CARD PIN ASSIGNMENT

PIN	ASSIGNMENT
C1	Vcc
C2	RST
C3	CLK
C4	Reserved
C5	GND
C6	Vpp
C7	I/O
C8	Reserved

NO.	PART NAME	DESCRIPTION
3	SHELL	Stainless Steel, gold flash on tail area under nickel plating
2	TERMINAL	Phosphor Bronze, 10u" selective gold under nickel plating
1	HOUSING	LCP, UL94V-0, Black



MORETHANALL
PCB CONNECTORS
Cable ASSEMBLIES
煜倫股份有限公司

www.morethanall.com

RoHS Compliant

DRAWING BY CY

CHECKED BY GENIUS

UNIT / mm SCALE 1 : 1

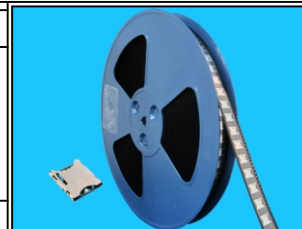
DATE

SIZE A4

TOLERANCES ARE

X, ±
.X ± 0.50
.XX ± 0.25
.XXX ± 0.12
ANG ±

PJECTION

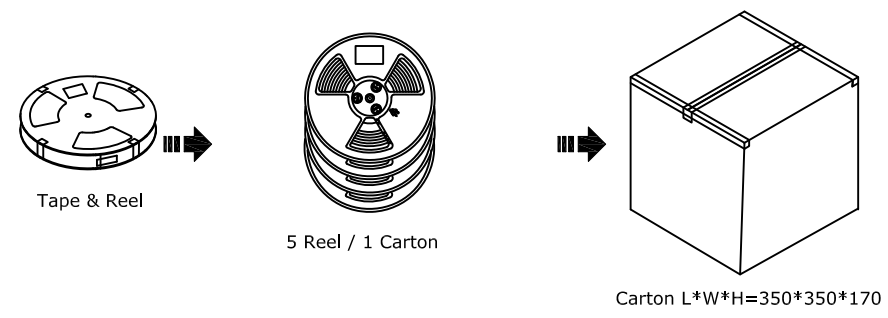
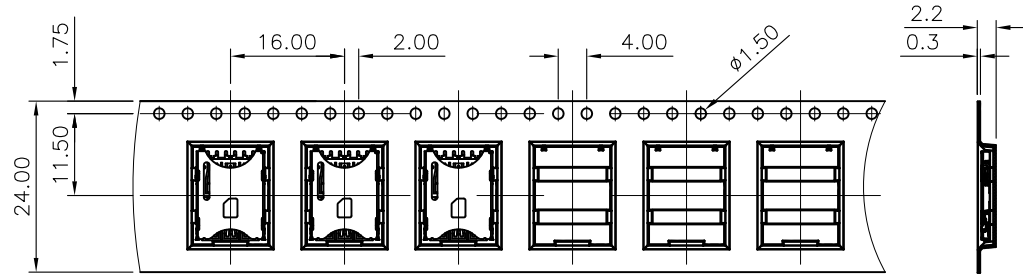
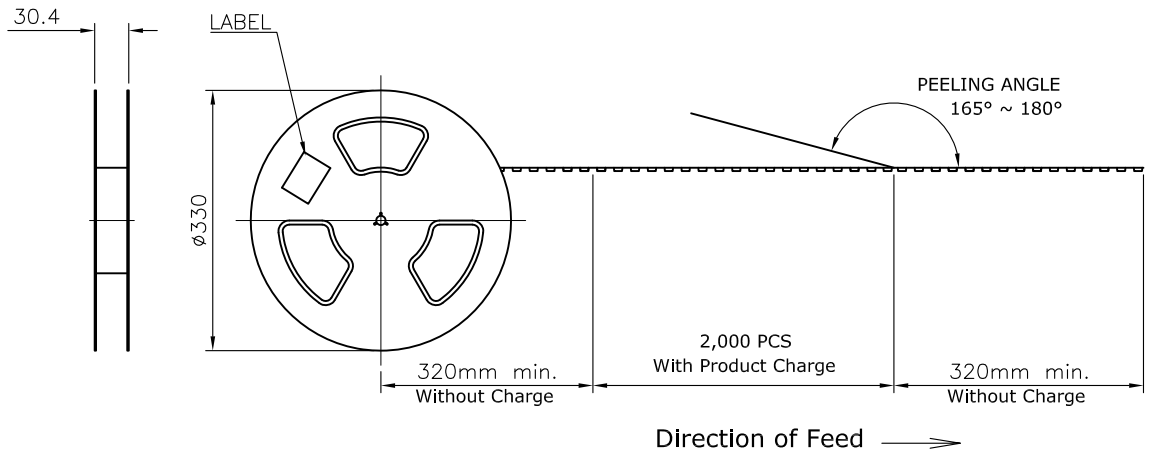


ORDER INFORMATION

NASCT-W0012XR-06-LF

SERIES | LEADFREE
06WAY
REEL
NON POST
HIGH 1.25mm
90°SMT

DESCRIPTION: 6P Nano SIM Socket, Push-Pull Type, 1.2H



PACKAGING SPECIFICATION:

- 1. MATERIAL
 - 1.1 Embossed Carrier Tape: PS Black
 - 1.2 Top Cover Tape: PET
20-80g(Peel Speed 300mm/Minute)
 - 1.3 Taping Reel: PS Blue
- 2. PACKING
 - 2.1 Quantity:
Reel: 2,000 PCS
Carton: 5 Reel/ 10,000 PCS

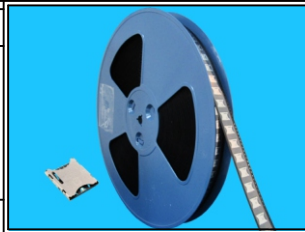
RoHS Compliant

TOLERANCES ARE



DRAWING BY CY
 CHECKED BY GENIUS
 UNIT / mm SCALE 1:1
 DATE
 SIZE A4 PPROJECTION

X. ±
 .X ± 0.50
 .XX ± 0.25
 .XXX ± 0.12
 ANG ±



ORDER INFORMATION

NASCT-W0012XR-06-LF
 SERIES | | | | LEADFREE
 | | | | 06WAY
 | | | | REEL
 | | | | NON POST
 | | | | HIGH 1.25mm
 | | | | 90°SMT

煜倫股份有限公司

www.morethanall.com

DESCRIPTION: 6P Nano SIM Socket, Push-Pull Type, 1.2H