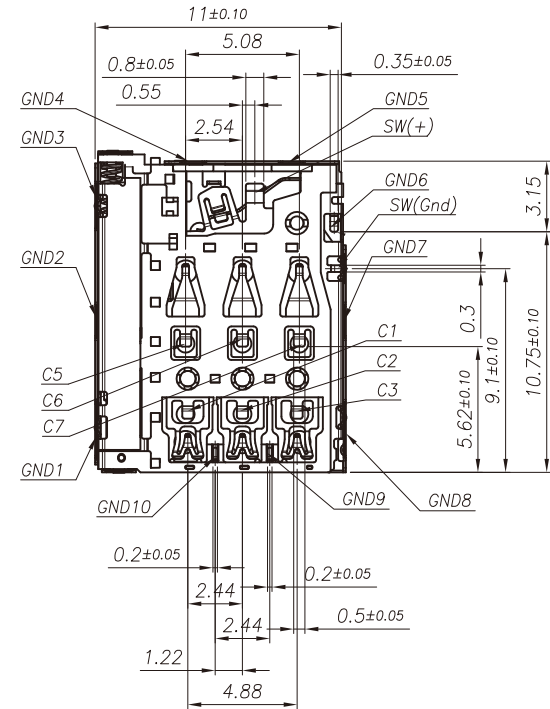
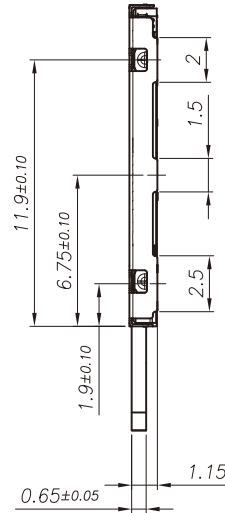


【 SIM Card Pin Assignments 】

PIN	Name
C1	Vcc
C2	RST
C3	CLK
C4	Reserved
C5	GND
C6	Vpp
C7	I/O
C8	Reserved

NOTES:

- MATERIAL: SEE TABLE
- SPECIALITY:
  - Rated current: 0.5A Max
  - Rated voltage: 30V AC
  - Contact Resistance: 100mohm MAX
  - Insulation Resistance: 1000Mohm MIN 500V DC
  - Dielectric withstanding voltage: 500V AC/minute.
  - Solder ability: 250±5°C 10±0.5s.
  - Durability: 5000 Cycles
  - Mating and Unmating force  
Insertion Force 10N Max  
Withdrawal Fore 0.5N Min



NO.	DESCRIPTION	QTY.	MATERIAL	FINISH	REMARKS
8	HOOK	1	STAINLESS STEEL		
7	SPRING	1	STAINLESS STEEL		
6	SLIDE	1	GLASS FILLED PA10T		
5	DETECTION SWITCH	1	COPPER ALLOY	Au OVER Ni (TABLE 2)	
4	GND FRAME	1	COPPER ALLOY	Au OVER Ni (TABLE 2)	
3	SHELL	1	STAINLESS STEEL	Au OVER Ni (TABLE 2)	
2	HOUSING	1	GLASS FILLED LCP		
1	CONTACT	6	COPPER ALLOY	Au OVER Ni (TABLE 2)	

RoHS Compliant

TOLERANCES ARE

**MORETHANALL**  
PCB CONNECTORS  
Cable ASSEMBLIES

煜倫股份有限公司

www.morethanall.com

DRAWING BY CY

CHECKED BY GENIUS

UNIT / mm SCALE 1 : 1

DATE

SIZE A4

PJECTION

X. ± 0.50  
.X ± 0.20  
.XX ± 0.10  
.XXX ±  
ANG ±

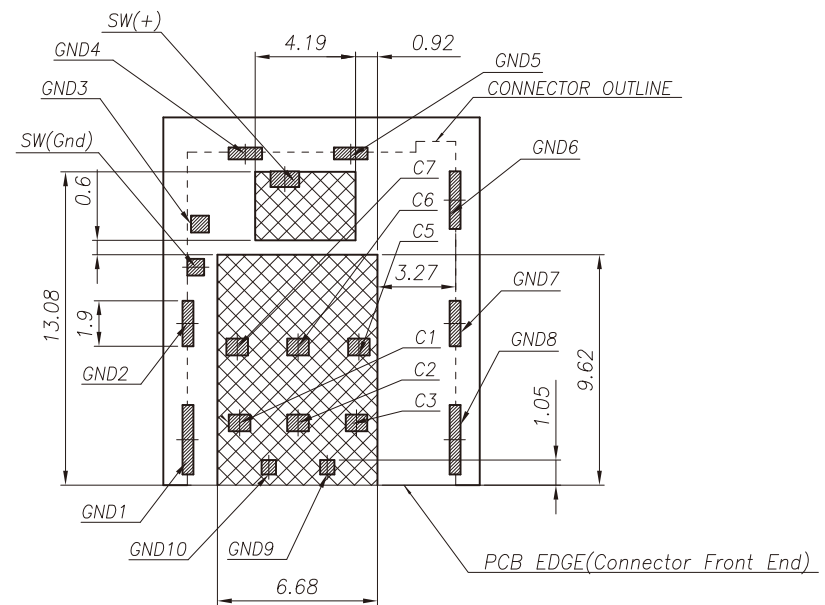
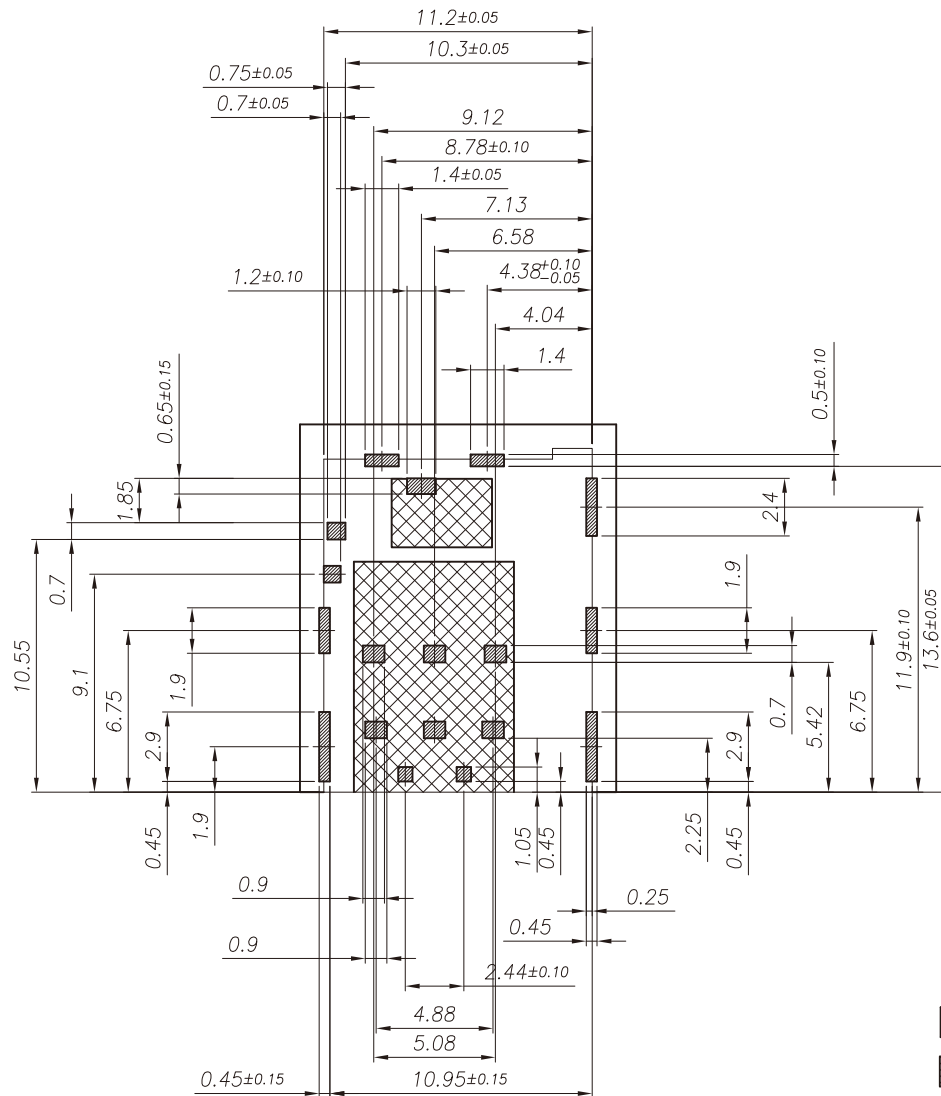
照片框

ORDER INFORMATION

NASCP-W0312XB-06-LF

SERIES | | | | | LEADFREE  
| | | | | 06WAY  
| | | | | OPEN SWITCH  
| | | | | NON POST  
90°SMT | | | | | BODY HIGH 1.25mm  
| | | | | PAD TO PAD 0.3mm

DESCRIPTION: 6Pin 1.25H PUSH PUSH Nano SIM CARD CONN.



RECOMMENDED PCB LAYOUT TOP VIEW (TOLERANCE:±0.05)  
RECOMMENDED METAL MASK T=0.12MM

**RoHS Compliant**

TOLERANCES ARE

**MORETHANALL**  
PCB CONNECTORS  
Cable ASSEMBLIES

DRAWING BY CY

X. ± 0.50

CHECKED BY GENIUS

.X ± 0.20

UNIT / mm

SCALE 1 : 1

.XXX ±

DATE

ANG ±

SIZE A4

PJECTION

照片框

**ORDER INFORMATION**

NASCP-W0312XB-06-LF

SERIES

LEADFREE

90°SMT

06WAY

OPEN SWITCH

NON POST

BODY HIGH 1.25mm

PAD TO PAD 0.3mm

煜倫股份有限公司

www.morethanall.com

DESCRIPTION: 6Pin 1.25H PUSH PUSH Nano SIM CARD CONN.