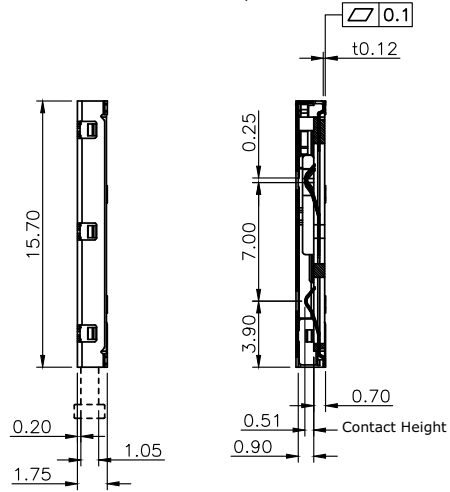
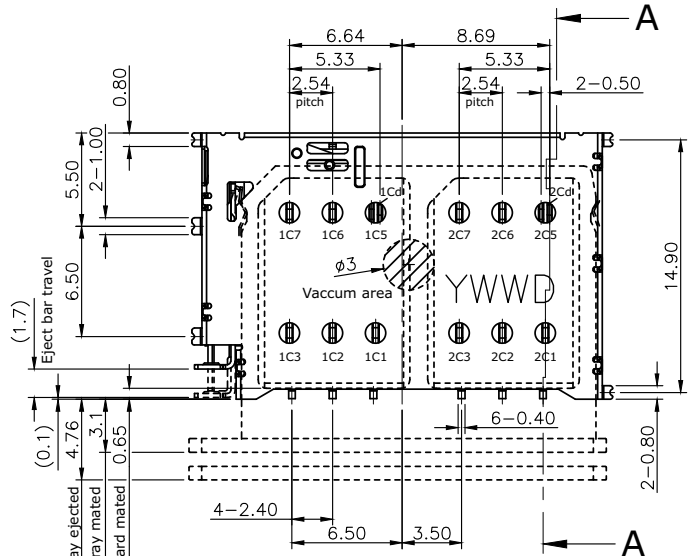


SCALE 1.5/1



Section A-A

SPECIFICATION:

- 1. ELECTRICAL
  - 1.1 Current Rating: 0.5A max.
  - 1.2 Voltage Rating: 10VAC/DC
  - 1.4 Insulation Resistance: 1000M
  - 1.5 Dielectric Withstanding Voltage: 500VAC
- 2. MECHANICAL
  - 2.1 Durability: 2,000 Cycles
  - 2.2 Tray Insertion Force: 10N max.
  - 2.3 Tray Extraction Force: 3N min.
  - 2.4 Contact Normal Force: 20gf min. per pin
- 3. ENVIRONMENTAL
  - 3.1 Operating temperature range: -40 ~+
  - 3.2 Storage temperature range: -40 ~+
- 4. SOLDER ABILITY
  - 4.1 Recommended IR-Reflow Temperature: 260

Date code: YWWD  
 Y=year 0~9  
 WW=Week 1~52  
 D=1~7

| NO. | PART NAME | DESCRIPTION  |
|-----|-----------|--|
| 5   | CAM       | Stainless Steel 0.4t   |
| 4   | BAR       | Stainless Steel 0.25t  |
| 3   | SHELL     | Stainless Steel 0.15t, solder area: Gold flash, under plating 12u" Nickel                              |
| 2   | CONTACT   | Copper alloy 0.12t, contact area: 30u" Gold plating solder area: Gold flash, under plating 50u" Nickel |
| 1   | HOUSING   | LCP, UL94V-0, black  |

RoHS Compliant

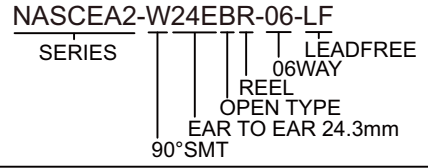
TOLERANCES ARE

**MORETHANALL**  
 PCB CONNECTORS  
 Cable ASSEMBLIES  
**煜倫股份有限公司**  
 www.morethanall.com

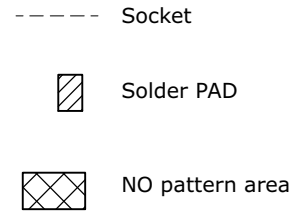
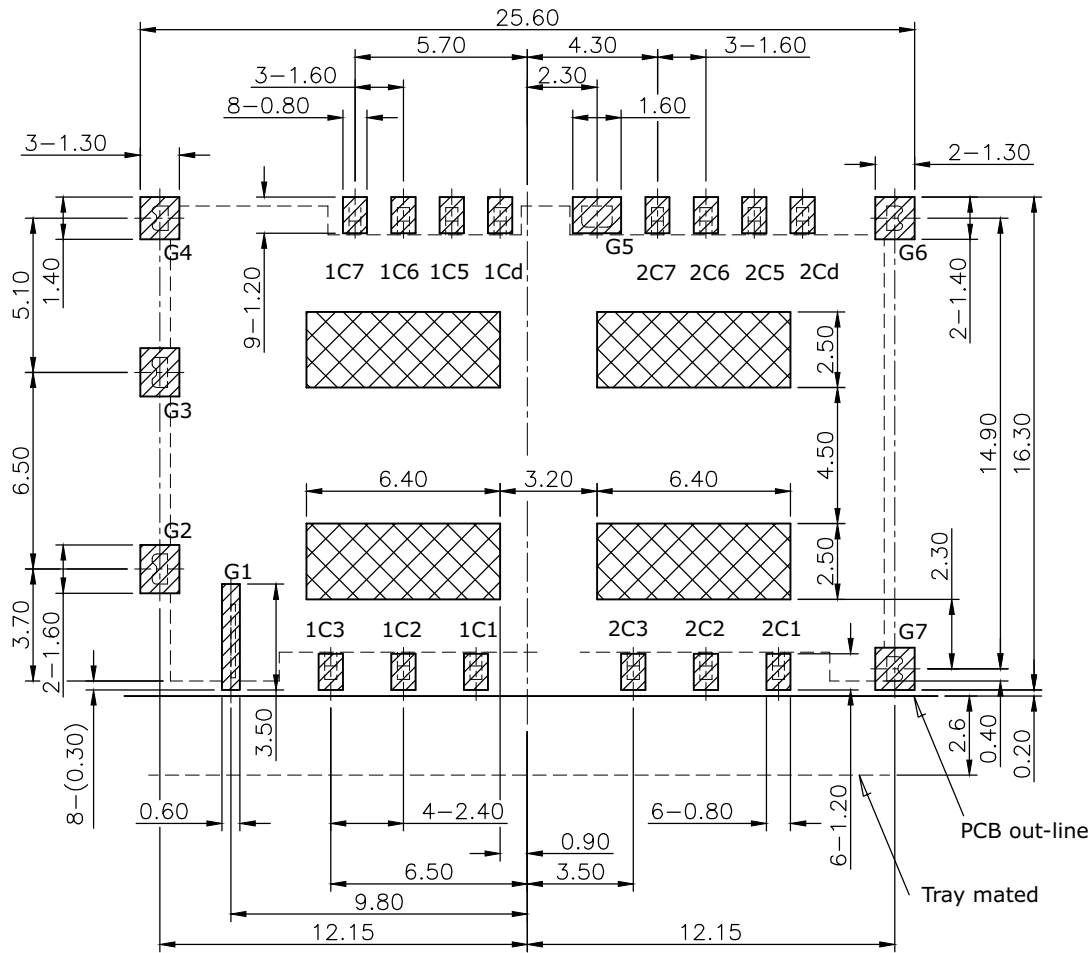
|            |             |           |
|------------|-------------|-----------|
| DRAWING BY | CY          | X. ± 0.50 |
| CHECKED BY | GENIUS      | .X ± 0.25 |
| UNIT / mm  | SCALE 1 : 1 | .XXX ±    |
| DATE       |             | ANG ±     |
| SIZE       | A4          | PJECTION  |



ORDER INFORMATION



DESCRIPTION: Nano SIM Socket, Dual Card Tray Eject Type, 30u"



Pin assignment

| Pin no. |     | Description |
|---------|-----|-------------|
| 1C1     | 2C1 | Vcc         |
| 1C2     | 2C2 | RST         |
| 1C3     | 2C3 | CLK         |
| 1Cd     | 2Cd | Detect      |
| 1C5     | 2C5 | GND         |
| 1C6     | 2C6 | Vpp         |
| 1C7     | 2C7 | I/O         |

RECOMMENDED LAYOUT (TOP VIEW)



煜倫股份有限公司

www.morethanall.com

RoHS Compliant

DRAWING BY CY

CHECKED BY GENIUS

UNIT / mm SCALE 1 : 1

DATE

SIZE A4

TOLERANCES ARE

X. ± 0.50

.X ± 0.25

.XX ± 0.12

.XXX ±

ANG ±

PJECTION

照片框

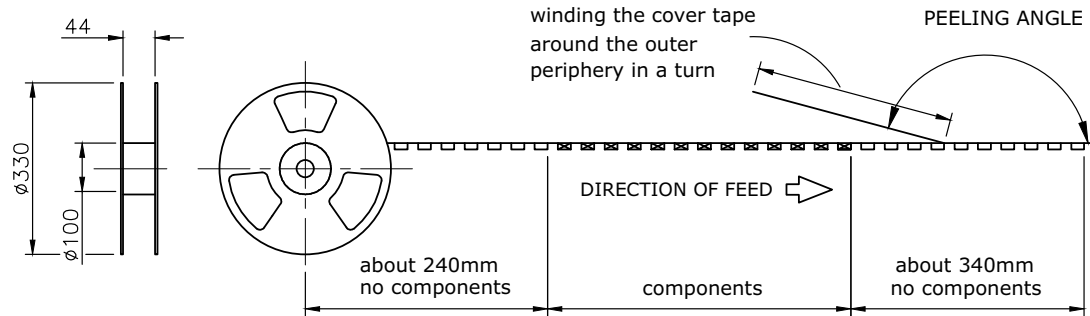
ORDER INFORMATION

NASCEA2-W24EBR-06-LF

SERIES

LEADFREE  
 06WAY  
 REEL  
 OPEN TYPE  
 EAR TO EAR 24.3mm  
 90°SMT

DESCRIPTION: Nano SIM Socket, Dual Card Tray Eject Type, 30u"



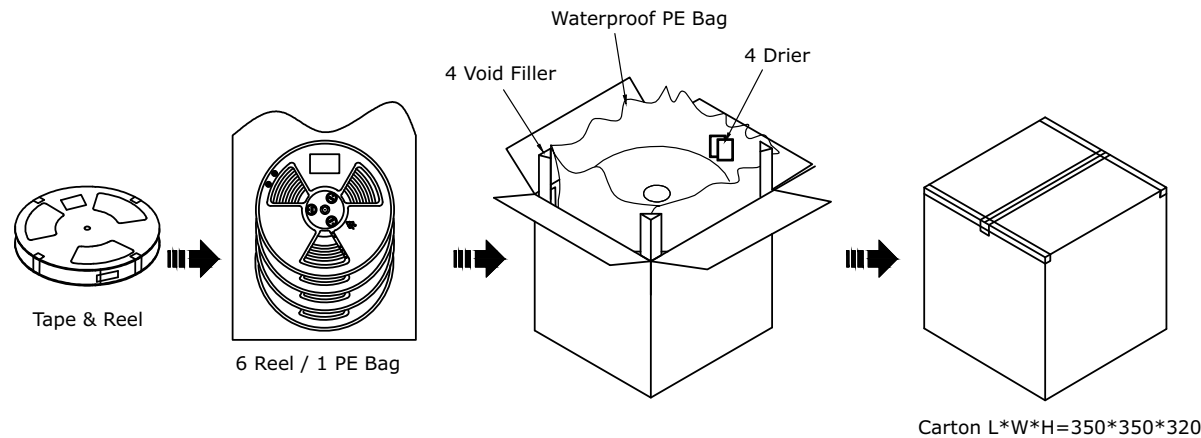
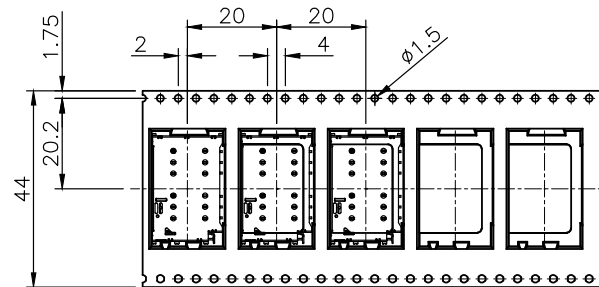
## PACKAGING SPECIFICATION:

### 1. MATERIAL

- 1.1 Embossed Carrier Tape: PS Black
- 1.2 Top Cover Tape: PET  
20-80g(Peel Speed 300mm/Minute)
- 1.3 Taping Reel: Plastic

### 2. PACKING

- 2.1 Quantity:  
1,200 PCS/REEL  
6 REEL/Carton  
7,200 PCS/Carton



**RoHS Compliant**

TOLERANCES ARE

**MORETHANALL**  
PCB CONNECTORS  
Cable ASSEMBLIES

DRAWING BY CY

X. ± 0.50

CHECKED BY GENIUS

.X ± 0.25

UNIT / mm

SCALE 1 : 1

.XXX ±

DATE

ANG ±

照片框

ORDER INFORMATION

NASCEA2-W24EBR-06-LF

SERIES

LEADFREE  
06WAY  
REEL  
OPEN TYPE  
EAR TO EAR 24.3mm  
90°SMT

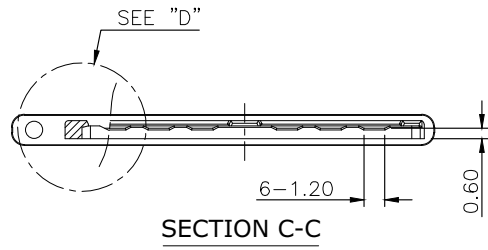
煜倫股份有限公司

www.morethanall.com

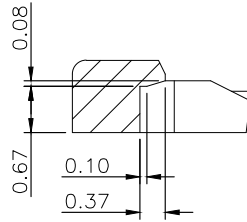
SIZE A4

PJECTION

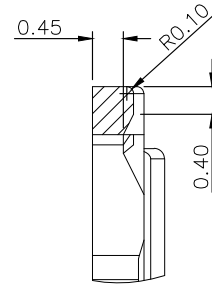
DESCRIPTION: Nano SIM Socket, Dual Card Tray Eject Type, 30u"



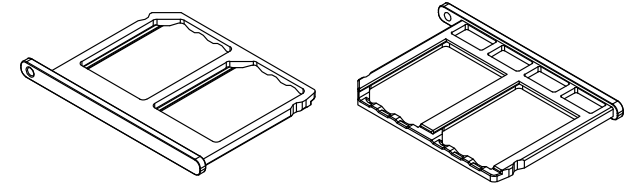
**SECTION C-C**



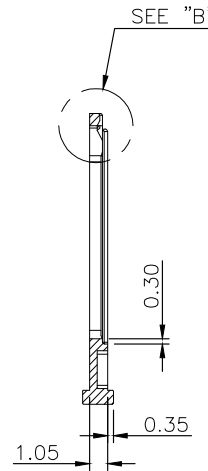
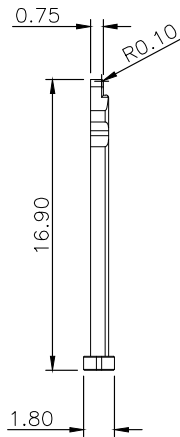
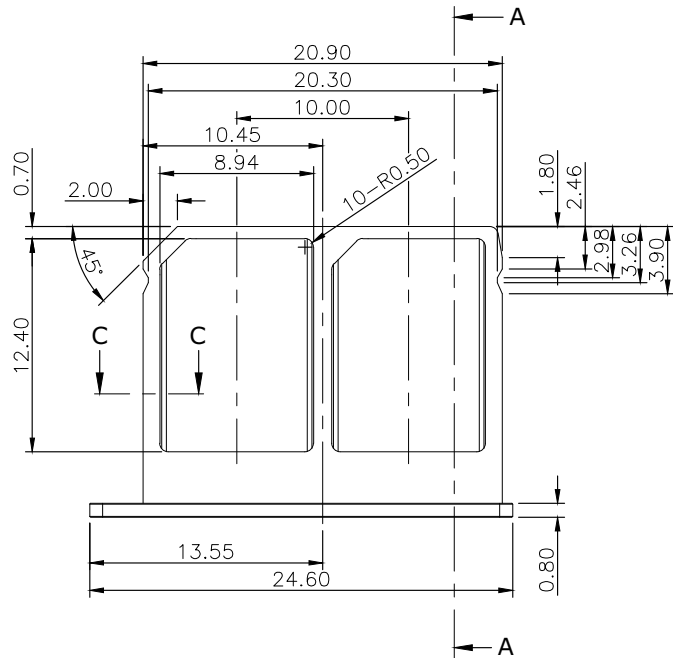
**DETAIL D**  
Scale 10/1



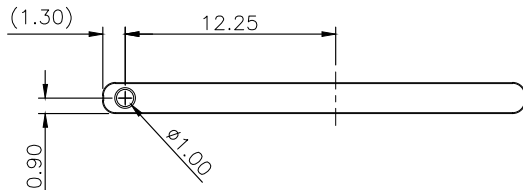
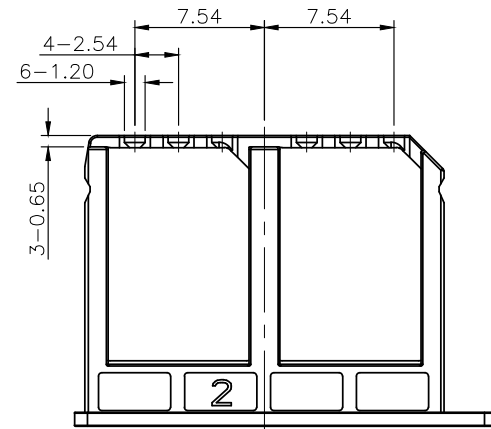
**DETAIL B**  
Scale 10/1



**SCALE 2/1**



**SECTION A-A**



**RoHS Compliant**

TOLERANCES ARE

**MORETHANALL**  
PCB CONNECTORS  
Cable ASSEMBLIES

DRAWING BY CY

X. ± 0.50

CHECKED BY GENIUS

.X ± 0.25

UNIT / mm

SCALE 1 : 1

.XXX ±

DATE

ANG ±

**煜倫股份有限公司**

[www.morethanall.com](http://www.morethanall.com)

SIZE A4

PJECTION

照片框

**ORDER INFORMATION**

**NASCEA2-W24EBR-06-LF**

SERIES

LEADFREE

06WAY

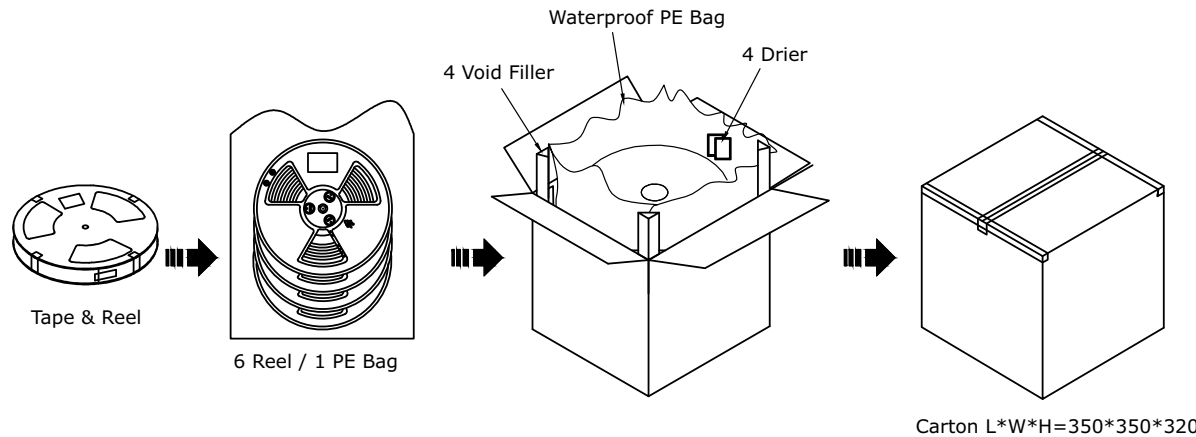
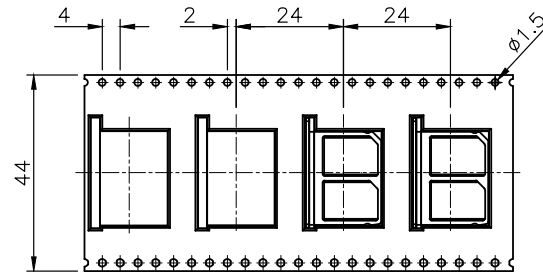
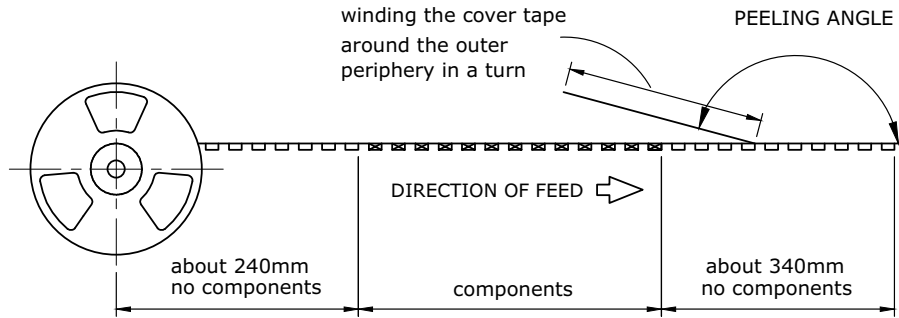
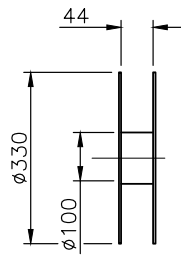
REEL

OPEN TYPE

EAR TO EAR 24.3mm

90°SMT

DESCRIPTION: Nano SIM Socket, Dual Card Tray Eject Type, 30u"



### PACKAGING SPECIFICATION:

1. MATERIAL
  - 1.1 Embossed Carrier Tape: PS Black
  - 1.2 Top Cover Tape: PET  
20-80g(Peel Speed 300mm/Minute)
  - 1.3 Taping Reel: Plastic
2. PACKING
  - 2.1 Quantity:
    - 1,200 PCS/REEL
    - 6 REEL/Carton
    - 7,200 PCS/Carton

**RoHS Compliant**

TOLERANCES ARE

**MORETHANALL**  
PCB CONNECTORS  
Cable ASSEMBLIES

DRAWING BY CY

X. ± 0.50

CHECKED BY GENIUS

.X ± 0.25

UNIT / mm

SCALE 1 : 1

.XXX ±

DATE

ANG ±

SIZE A4

PPOJECTION

照片框

ORDER INFORMATION

NASCEA2-W24EBR-06-LF

SERIES

LEADFREE  
06WAY  
REEL  
OPEN TYPE  
EAR TO EAR 24.3mm  
90°SMT

煜倫股份有限公司

www.morethanall.com

DESCRIPTION: Nano SIM Socket, Dual Card Tray Eject Type, 30u"