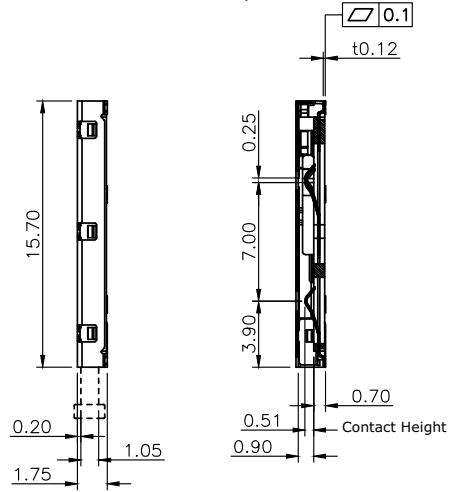
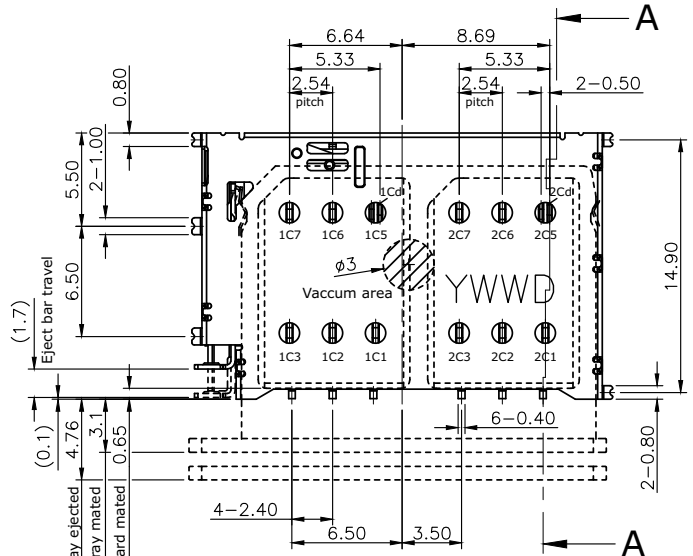


SCALE 1.5/1



Section A-A

SPECIFICATION:

- 1. ELECTRICAL
  - 1.1 Current Rating: 0.5A max.
  - 1.2 Voltage Rating: 10VAC/DC
  - 1.4 Insulation Resistance: 1000M
  - 1.5 Dielectric Withstanding Voltage: 500VAC
- 2. MECHANICAL
  - 2.1 Durability: 2,000 Cycles
  - 2.2 Tray Insertion Force: 10N max.
  - 2.3 Tray Extraction Force: 3N min.
  - 2.4 Contact Normal Force: 20gf min. per pin
- 3. ENVIRONMENTAL
  - 3.1 Operating temperature range: -40 ~+
  - 3.2 Storage temperature range: -40 ~+
- 4. SOLDER ABILITY
  - 4.1 Recommended IR-Reflow Temperature: 260

Date code: YWWD  
 Y=year 0~9  
 WW=Week 1~52  
 D=1~7

NO.	PART NAME	DESCRIPTION
5	CAM	Stainless Steel 0.4t
4	BAR	Stainless Steel 0.25t
3	SHELL	Stainless Steel 0.15t, solder area: Gold flash, under plating 12u" Nickel
2	CONTACT	Copper alloy 0.12t, contact area: 30u" Gold plating solder area: Gold flash, under plating 50u" Nickel
1	HOUSING	LCP, UL94V-0, black

RoHS Compliant

TOLERANCES ARE



DRAWING BY CY X. ± 0.50  
 CHECKED BY GENIUS .X ± 0.25  
 UNIT / mm SCALE 1 : 1 .XXX ±  
 DATE ANG ±

煜倫股份有限公司

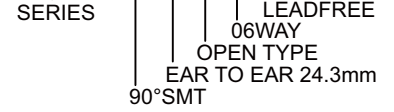
www.morethanall.com

SIZE A4 PPROJECTION

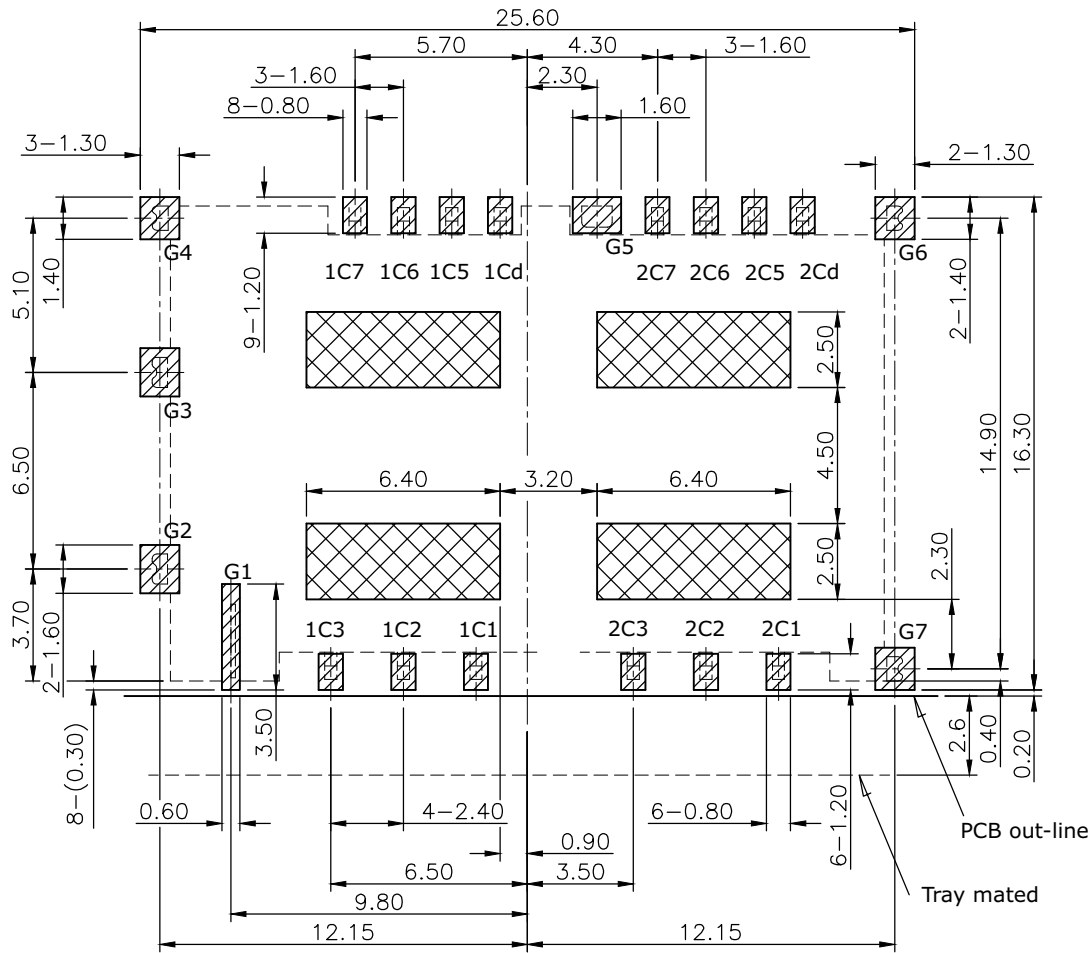




ORDER INFORMATION

NASCEA2-W24EB-06-LF


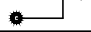


DESCRIPTION: Nano SIM Socket, Dual Card Tray Eject Type, 30u"



- Socket
-  Solder PAD
-  NO pattern area

Pin assignment

Pin no.		Description
1C1	2C1	Vcc
1C2	2C2	RST
1C3	2C3	CLK
1Cd	2Cd	Detect 
1C5	2C5	GND 
1C6	2C6	Vpp
1C7	2C7	I/O

RECOMMENDED LAYOUT (TOP VIEW)

照片框

RoHS Compliant

TOLERANCES ARE

**MORETHANALL**  
PCB CONNECTORS  
Cable ASSEMBLIES

DRAWING BY CY

X ± 0.50

CHECKED BY GENIUS

.X ± 0.25

UNIT / mm

SCALE 1 : 1

.XX ± 0.12

DATE

.XXX ±

ANG ±

SIZE A4

PPOJECTION 

ORDER INFORMATION

NASCEA2-W24EB-06-LF

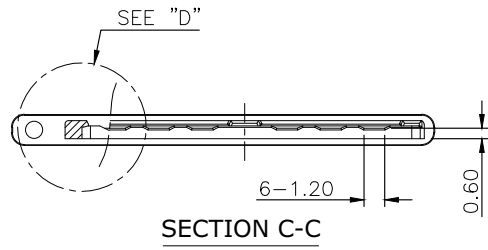
SERIES

LEADFREE  
06WAY  
OPEN TYPE  
EAR TO EAR 24.3mm  
90°SMT

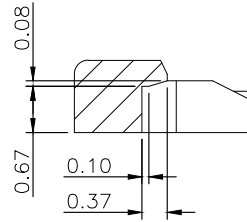
煜倫股份有限公司

www.morethanall.com

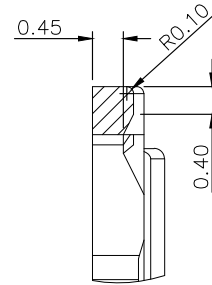
DESCRIPTION: Nano SIM Socket, Dual Card Tray Eject Type, 30u"



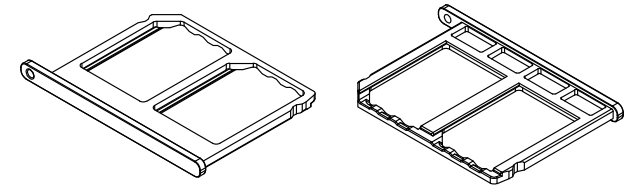
**SECTION C-C**



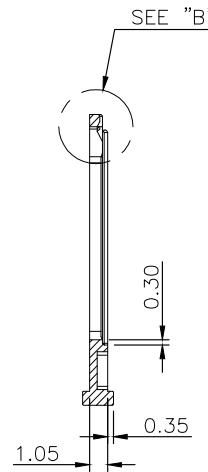
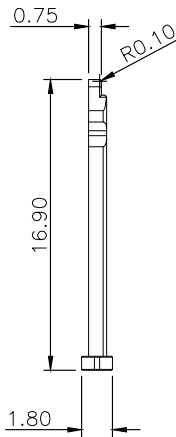
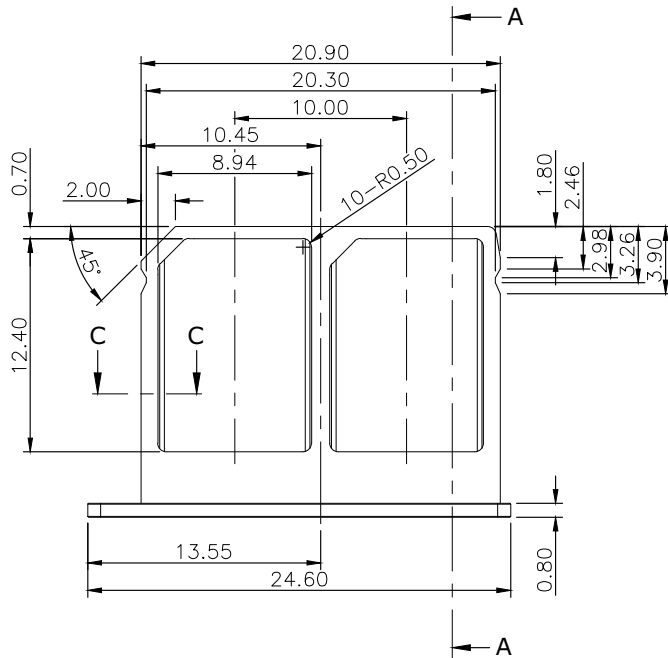
**DETAIL D**  
Scale 10/1



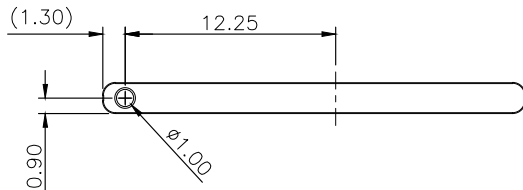
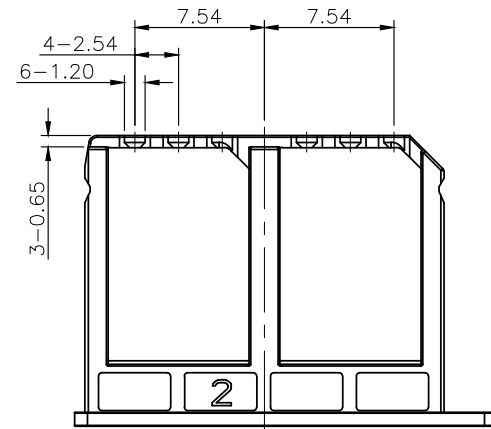
**DETAIL B**  
Scale 10/1



**SCALE 2/1**



**SECTION A-A**



**RoHS Compliant**

TOLERANCES ARE

**MORETHANALL**  
PCB CONNECTORS  
Cable ASSEMBLIES

**煜倫股份有限公司**

www.morethanall.com

DRAWING BY CY

CHECKED BY GENIUS

UNIT / mm SCALE 1 : 1

DATE

SIZE A4

X. ± 0.50

.X ± 0.25

.XX ± 0.12

.XXX ±

ANG ±

PJECTION

照片框

**ORDER INFORMATION**

**NASCEA2-W24EB-06-LF**

SERIES

LEADFREE

06WAY

OPEN TYPE

EAR TO EAR 24.3mm

90°SMT

DESCRIPTION: Nano SIM Socket, Dual Card Tray Eject Type, 30u"