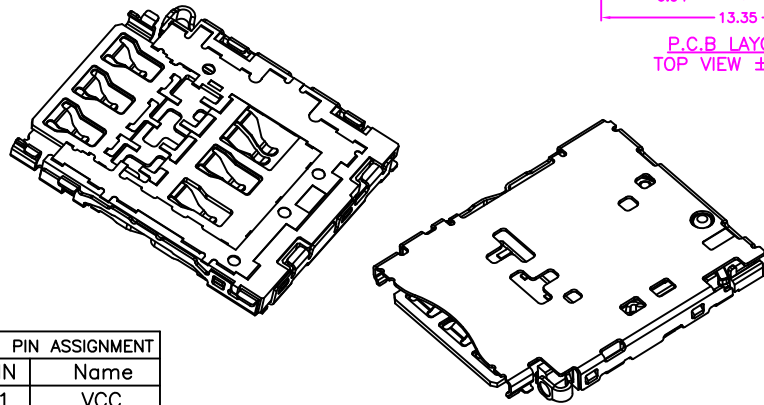


- PAD AREA
- KEEP OUT AREA
- NO COPPER AREA (NO TRACE & VIA & GND)
- GND PATTERN ONLY

P.C.B LAYOUT  
TOP VIEW ±0.05



COMPOSITION OF DETECTION	
CARD DETECT(SW)	
C5	○ — ○ SW
CARD DETECTION/SWITCH	
CARD INSTALLATION:ON	
NON CARD:OFF	

**MATERIALS**

HOUSING: LCP (UL 94V-0), BLACK  
 SHELL: STAINLESS STEEL, NICKEL PLATING  
 SOLDER PAD: STAINLESS STEEL, GOLD FLASH  
 TERMINAL: COPPER ALLOY, GOLD PLATING

**SPECIFICATION**

CURRENT RATING: 0.5 AMP MAX  
 DIELECTRIC WITHSTANDING: 500V AC FOR ONE MINUTE  
 CONTACT RESISTANCE: 100m OHMS MAX  
 INSULATION RESISTANCE: 1000M OHMS MIN AT DC 500V  
 OPERATION TEMPERATURE: -40°C~+85°C

**INFORMATION**

COMPATIBLE NANO SIM TRAY DRAWING NO: ZMMCRG-001

SIM PIN ASSIGNMENT	
PIN	Name
C1	VCC
C2	RST
C3	CLK
C5	GND
SW	CD/SW
C6	VPP
C7	DATA

**RoHS Compliant**

TOLERANCES ARE

**MORETHANALL**  
 PCB CONNECTORS  
 Cable ASSEMBLIES

**煜倫股份有限公司**

www.morethanall.com

DRAWING BY CY

CHECKED BY GENIUS

UNIT / mm SCALE 1 : 1

DATE

SIZE A4 PROJECTION

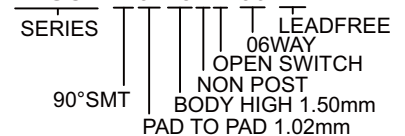
X. ± 0.40  
 .X ± 0.30  
 .XX ± 0.20  
 .XXX ± 0.10  
 ANG ±



照片框

**ORDER INFORMATION**

NASCE-W0115XB-06-LF



DESCRIPTION: NANO SIM CARD, 7PIN, PCB MOUNT, SMT, METAL SHIELD, TRAY TYPE WITH SWITCH, FEMALE H=1.50mm