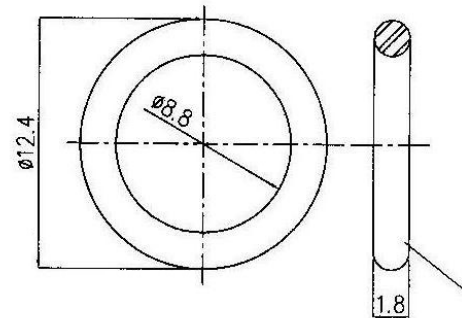


ELECTRICAL :	
Impedance :	50Ω
Frequency Range :	0 TO 11.0 GHz
Insertion Loss :	0.3dB max at 10 GHz
VSWR :	1.3 max



NO	DESCRIPTION	QTY	ITEM NO.	MATERIAL	PLATING
1	BODY	1	N-P245	BRASS	NICKEL 100μ" MIN.
2	DIELECTRIC	1	T-080011	TEFLON	-
3	CENTER PIN	1	N-P245-9C	BERYLLIUM COOPER	GOLD 10~12μ" MIN.
4	PARTS	1	R-08002	BRASS	NICKEL 100μ" MIN.
5	WATERPROOF SEAL	1	WP-12001	RUBBER	-

RoHS Compliant

TOLERANCES ARE

MORETHANALL
PCB CONNECTORS
Cable ASSEMBLIES

煜倫股份有限公司

www.morethanall.com

DRAWING BY CY

CHECKED BY GENIUS

UNIT / mm

SCALE 1 : 1

DATE

SIZE A4

PPOJECTION

X. ±
X ±
.XX ±
.XXX ±
ANG ±

照片框

ORDER INFORMATION

N-JSPQP186026-50-LF
SERIES JACK | PIN | PANEL SQUARE | LEADFREE
50 OHM
18.6+2.6mm
SOLDER

DESCRIPTION: