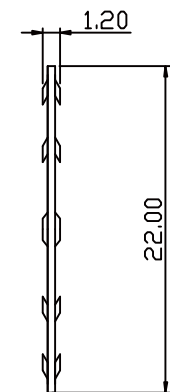
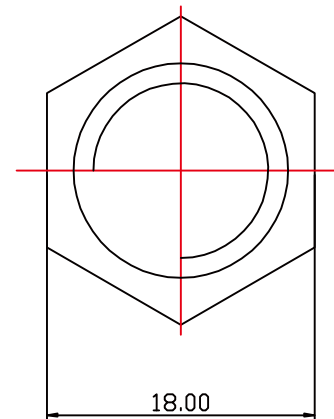
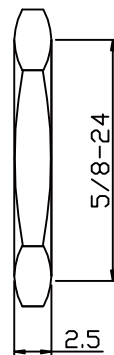
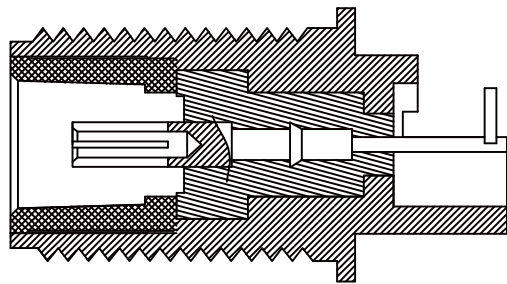


7	华司	W-7316001-N	铁	1
6	螺母	N-07315001-N	黄铜	1
5	卡环	H-7316001-N	黄铜	1
4	铜塞	B-07316B002-N	黄铜	1
3	PIN针	C-07316B001-G	黄铜	1
2	胶芯	T-07316T001-W	铁弗龙	1
1	主体	B-07316B001-N	黄铜	1
序号	名称	零件编号	材质	数量



RoHS Compliant

TOLERANCES ARE

**MORETHANALL**  
PCB CONNECTORS  
Cable ASSEMBLIES

煜倫股份有限公司

www.morethanall.com

DRAWING BY CY

CHECKED BY GENIUS

UNIT / mm SCALE 1:1

DATE

SIZE A4

X. ±  
.X ±  
.XX ±  
.XXX ±  
ANG ±

P PROJECTION



ORDER INFORMATION

N-JE16M2PB33NW-50-LF  
SERIES JACK EDGE CLIP 1.6mm METAL BACK PANEL  
LEADFREE 50 OHM WASHER NUT LONG 33.4mm

DESCRIPTION: