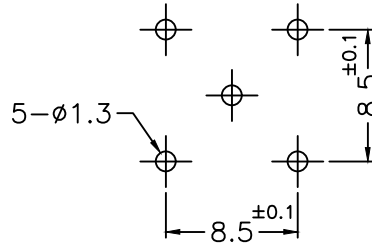
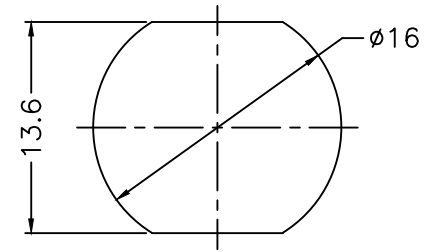


NOTES: FINISH (PLATING THICKNESS IN MICRO-INCHES)

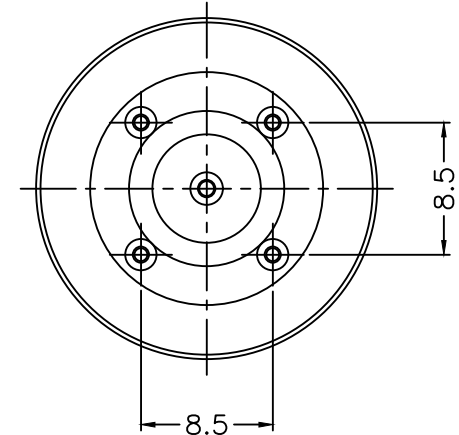
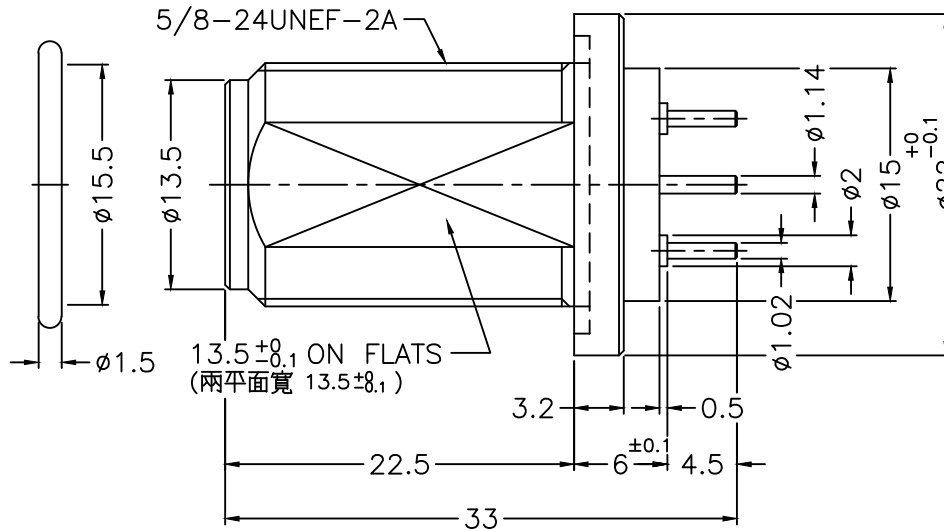
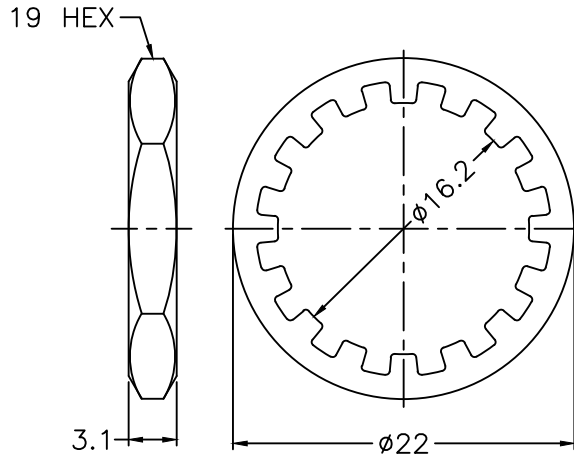
1. BRASS
2. NICKEL PL. 100 MIN. THICK OVER COPPER PL. 50 MIN. THICK
3. PHOSPHOR BRONZE
4. GOLD PL. 3 MIN. THICK OVER NICKEL PL. 50 MIN. THICK OVER COPPER PL. 50 MIN. THICK
5. THIN GOLD OVER NICKEL PL. 50 MIN. THICK OVER COPPER PL. 50 MIN. THICK
6. TEFLON
7. STAINLESS STEEL
8. PASSIVATED



RECOMMENDED MOUNTING HOLE (建議架設孔)



RECOMMENDED MOUNTING HOLE (建議架設孔)



NO.	DESCRIPTION	MATERIAL	FINISH	Q'TY
8	HEX NUT	NOTE 1	NOTE 2	1
7	LOCK WASHER	NOTE 7	NOTE 8	1
6	O-RING	NBR	BLACK	1
5	LEG	NOTE 1	NOTE 5	4
4	CONTACT PIN	NOTE 3	NOTE 4	1
3	LOCK RING	NOTE 1	NOTE 2	1
2	INSULATOR	NOTE 6	NATURAL	1
1	HOUSING	NOTE 1	NOTE 2	1

RoHS Compliant

TOLERANCES ARE

- 0.5-6 = ±0.2
- 6-30 = ±0.4
- 30-120 = ±0.6
- 120-315 = ±1
- 315-1000 = ±1.6
- 1000-2000 = ±2.4

照片框

ORDER INFORMATION



DESCRIPTION: N BULKHEAD PCB MOUNT JACK

**MORETHANALL**  
PCB CONNECTORS  
Cable ASSEMBLIES

煜倫股份有限公司

www.morethanall.com

DRAWING BY CY	
CHECKED BY GENIUS	
UNIT / mm	SCALE 1 : 1
DATE	
SIZE A4	P PROJECTION