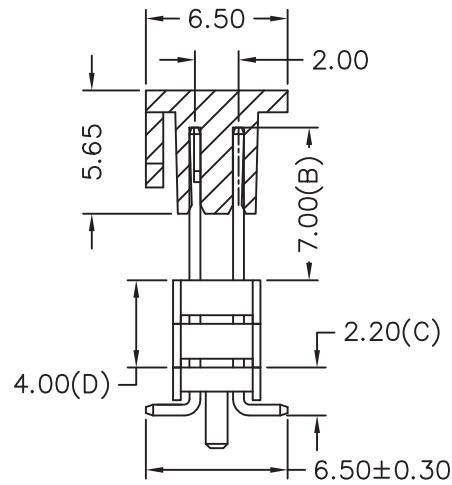


Recommended P.C.B Layout



MATERIAL

Contact Pin : Brass

SPECIFICATION

Current Rate : 1 AMP

Insulation Resistance : 5000MΩMin. at DC 500V

Contact Resistance : 20mΩMax. at DC 100mA

Dielectric Voltage : AC 500V for one minute

RoHS Compliant

TOLERANCES ARE

MORETHANALL
PCB CONNECTORS
Cable ASSEMBLIES

煜倫股份有限公司

www.morethanall.com

DRAWING BY CY

CHECKED BY GENIUS

UNIT/mm

SCALE 1:1

DATE

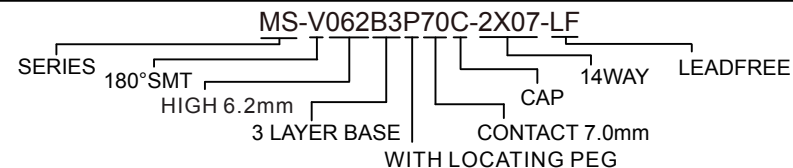
SIZE A4

PPOJECTION

X, ±
.X ± 0.30
.XX ± 0.20
.XXX ±
ANG ±

照片框

ORDER INFORMATION



DESCRIPTION: PIN HEADER 2.00*2.00mm STRAIGHT TYPE, DUAL ROWS CAP+BOX