

MATERIALS

HOUSING: HI-TEMP. PLASTIC (UL 94V-0), BLACK
 LATCH: SUS, TIN PLATING
 TERMINAL: COPPER ALLOY, GOLD PLATED ON CONTACT AREA
 TIN PLATING ON SOLDER TAIL

SPECIFICATION

CURRENT RATING: 0.5 AMP MAX
 DIELECTRIC WITHSTANDING: 250V AC FOR ONE MINUTE
 CONTACT RESISTANCE: 30m OHMS MAX
 INSULATION RESISTANCE: 500M OHMS MIN AT DC 500V
 OPERATION TEMPERATURE: -55°C~+85°C

RoHS Compliant

TOLERANCES ARE

MORETHANALL
 PCB CONNECTORS
 Cable ASSEMBLIES

煜倫股份有限公司

www.morethanall.com

DRAWING BY CY

CHECKED BY GENIUS

UNIT / mm SCALE 1 : 1

DATE

SIZE A4

X ± 0.40

.X ± 0.30

.XX ± 0.20

.XXX ± 0.10

ANG ±

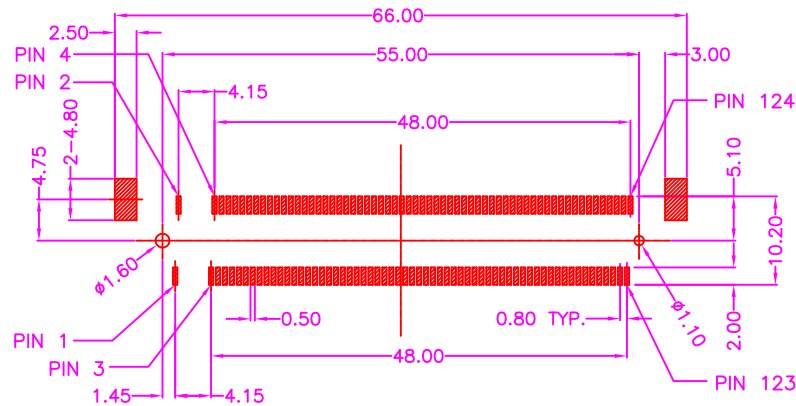
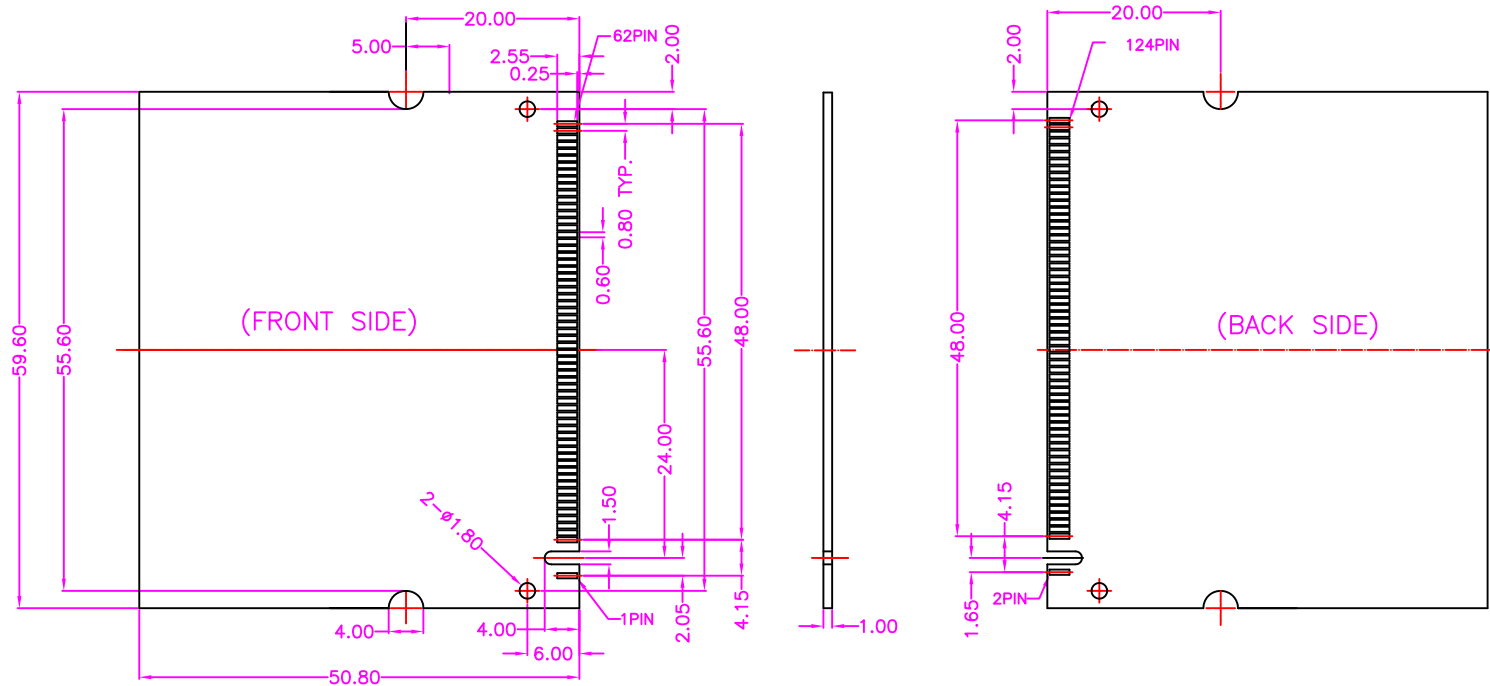
PJECTION

照片框

ORDER INFORMATION

MPCI-W52-124-LF
 SERIES | | LEADFREE
 | | 124 WAY
 | | HIGH 5.2mm
 | | 90°SMT

DESCRIPTION: MINI PCI SOCKET 124 PIN, 0.80mm PITCH, PCB MOUNT, SMT, FEMALE WITH LATCH & POST (H=5.20mm)



P.C.B LAYOUT
TOP VIEW ±0.05

MORETHANALL
PCB CONNECTORS
Cable ASSEMBLIES

煜倫股份有限公司

www.morethanall.com

RoHS Compliant

DRAWING BY CY

CHECKED BY GENIUS

UNIT / mm

SCALE 1 : 1

DATE

SIZE A4

TOLERANCES ARE

X ± 0.40

.X ± 0.30

.XX ± 0.20

.XXX ± 0.10

ANG ±

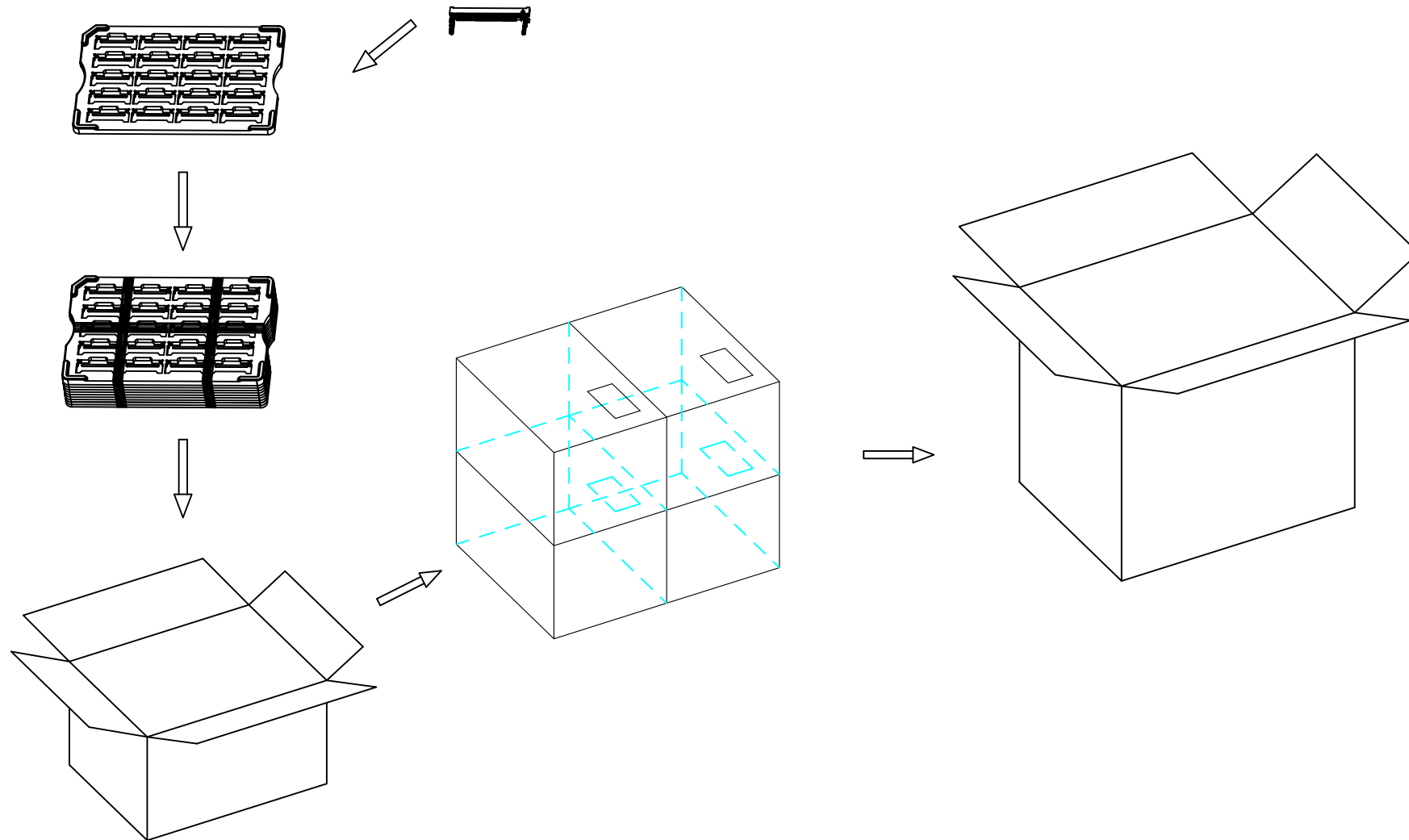
PJECTION

照片框

ORDER INFORMATION

MPCI-W52-124-LF
SERIES | LEADFREE
124 WAY
HIGH 5.2mm
90°SMT

DESCRIPTION: MINI PCI SOCKET 124 PIN, 0.80mm PITCH, PCB MOUNT, SMT, FEMALE WITH LATCH & POST (H=5.20mm)



NOTES: 20 PCS/TRAY,
260PCS/INNER BOX,
1040PCS/ 52 TRAY/ 4 INNER BOX/CARTON

RoHS Compliant

TOLERANCES ARE

MORETHANALL
PCB CONNECTORS
Cable ASSEMBLIES

煜倫股份有限公司

www.morethanall.com

DRAWING BY CY

CHECKED BY GENIUS

UNIT / mm

SCALE 1 : 1

DATE

SIZE A4

X. ± 0.40

.X ± 0.30

.XX ± 0.20

.XXX ± 0.10

ANG ±

PJECTION

照片框

ORDER INFORMATION

MPCI-W52-124-LF
SERIES | | LEADFREE
| | 124 WAY
| | HIGH 5.2mm
| | 90°SMT

DESCRIPTION: MINI PCI SOCKET 124 PIN, 0.80mm PITCH, PCB MOUNT, SMT, FEMALE WITH LATCH & POST (H=5.20mm)