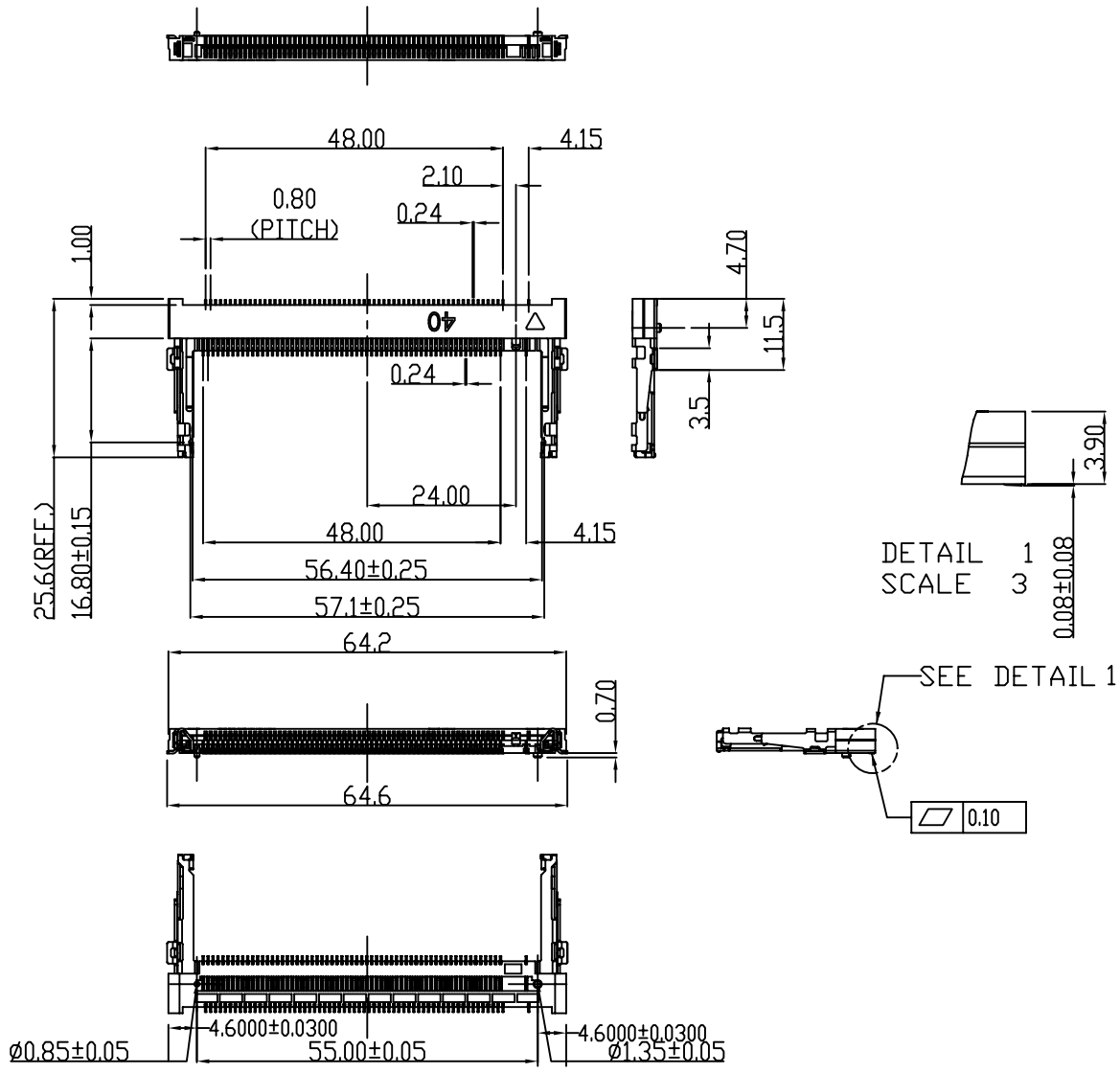


ITEM	PART NAME	Q'TY	MATERIAL	PLATING
1	BODY	1	LCP	
3	CONTACT	124	PHOSPHOR BRONZE	GOLD 3u'
4	LATCH	2	STAINLESS	

Plastic Body : LCP, Color Black.
 Contact: Phosphor Bronze Alloy (C5191R-H)
 Contact area: Gold 3 micro inches
 Solder area: Matte Tin
 All under-plated Ductile Nickel 50 micro inches (Min.)
 Latch :SUS304R-1/2H, Matte Tin Plated
 Contact Resistance: 30 mΩ (Max)
 Insulation Resistance: 500 MΩ (Max.)
 Dielectric Withstanding Voltage:
 Mate connectors; apply 250V AC at 60 Hz(rms.)
 Contact Normal Force: 50 gf per pin (Min.)
 soldering heat: 260°C
 Rating Voltage: 25V AC
 Rating Current: 0.3A(Max.)/(1PIN)
 Operating Temperature: -40°C to +90°C
 Storage Temperature: -40°C to +90°C



DETAIL 1
 SCALE 3

SEE DETAIL 1

MPCI-W40R-124-LF
 LEADFREE
 RoHS Compliant

MORETHANALL
 CONNECTORS
 ASSEMBLIES

PART NO. MPCI-W40R-124

DWG NO. MPCI-W40R-124

CHECKED BY CY

TOLERANCES ARE

DESCRIP TION:

Mini PCI Socket
 stand off 4.0mm, Metal grounding type

煜倫股份有限公司

FILE NO.

DRAWING BY

.X ± 0.2
 .XX ±
 .XXX ±
 AWG

AREA

REVISIONS

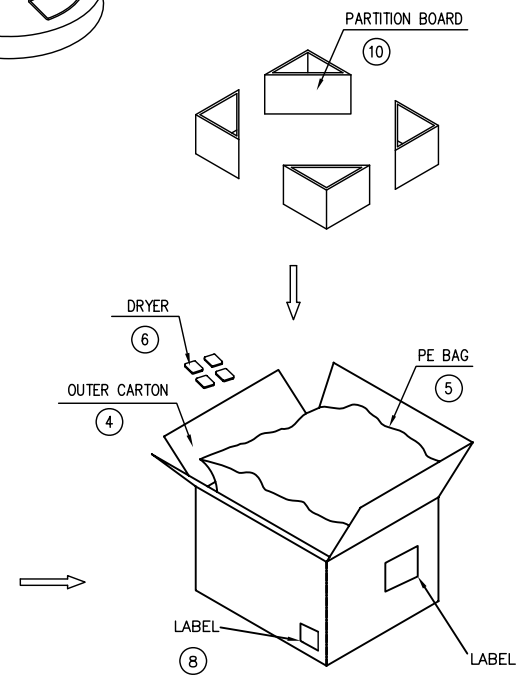
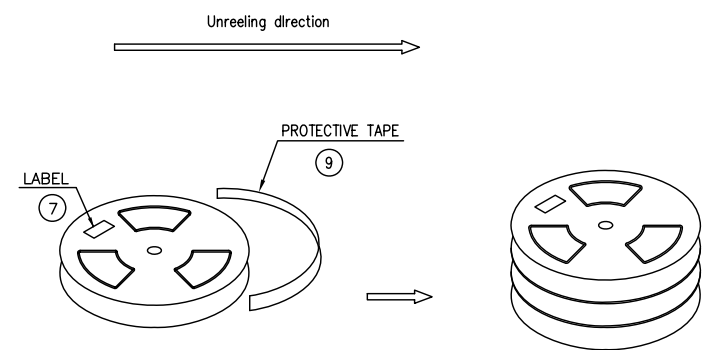
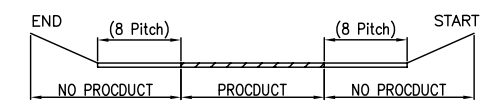
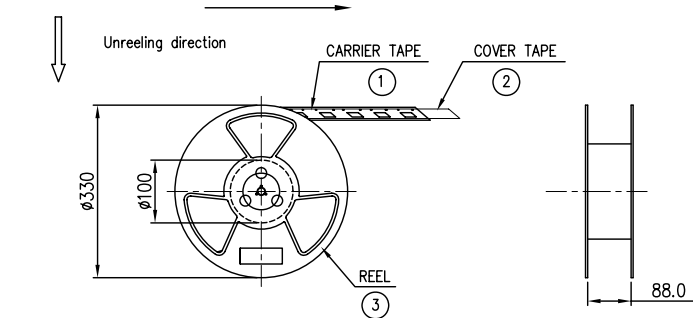
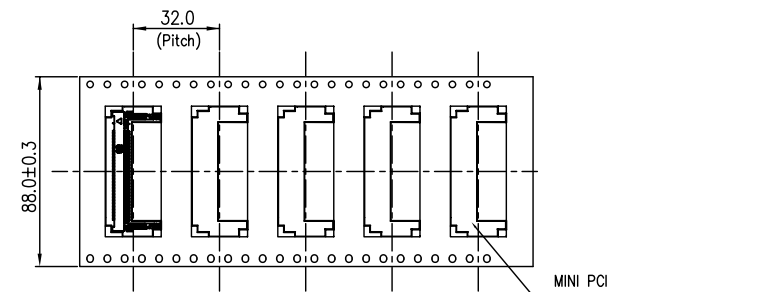
HK

DATE

UNIT / mm

SCALE 1:1

PROJECTION



NOTES:
 1. PACKING STYLE:
 W40 W40
 300 PCS/REEL 900 PCS/OUTER CARTON
 2. MATERIAL CARRIER TAPE:PS BLACK
 COVER TAPE:PET FILM
 REEL:PLASTIC
 3. PEEL STRENGTH OF COVER TAPE:
 20-80g(PEEL SPEED 300mm/MINUTE).

10	PARTITION BOARD	4	PCS	
9	PROTECTIVE TAPE	3	PCS	
8	LABEL	1	PCS	
7	LABEL	3	PCS	
6	DRYER	4	BAG	
5	PE BAG	1	PCS	L850*W750mm
4	OUTER CARTON	1	PCS	
3	REEL	3	SET	φ330*100mm,W=88mm
2	COVER TAPE	SEE NOTES	3	PCS
1	CARRIER TAPE			W=81.5mm W=88mm,T=0.3mm
NO	PACKING NAME	PCS/T PACKING	T/BOX QTY	UNIT NOTE

MORETHANALL
CONNECTORS ASSEMBLIES

煜倫股份有限公司

PART NO. MPC1-W40R-124
 DWG NO. MPC1-W40R-124
 FILE NO.

UNIT / mm SCALE 1:1

CHECKED BY CY
 DRAWING BY
 PROJECTION

TOLERANCES ARE
 .X ± 0.2
 .XX ±
 .XXX ±
 ANG

DESCRIP TION:	Mini PCI Socket stand off 4.0 mm, Metal grounding type			
AREA	REVISIONS	HK	DATE	