

PCB LAYOUT/TOP VIEW

MATERIALS:
 PLASTIC HOUSING: HIGH TEMP. THERMOPLASTIC
 FLAMMABILITY RATING UL 94V-0.
 CONTACTS: PHOSPHOR BRONZE
 PLATING: GOLD PLATING OVER NICKEL IN CONTACT.
 TIN PLATING OVER NICKEL IN SOLDER AREA.

RoHS Compliant

TOLERANCES ARE

MORETHANALL
 PCB CONNECTORS
 Cable ASSEMBLIES

煜倫股份有限公司

www.morethanall.com

DRAWING BY CY

CHECKED BY GENIUS

UNIT / mm

SCALE 1:1

DATE

SIZE A4

X. ± 0.50

.X ± 0.38

.XX ± 0.25

.XXX ± 0.10

ANG ± 3°

PJECTION

照片框

ORDER INFORMATION

MJW11-KX06PR-0808-LF

SERIES

REEL

POST

8P8C

LEADFREE

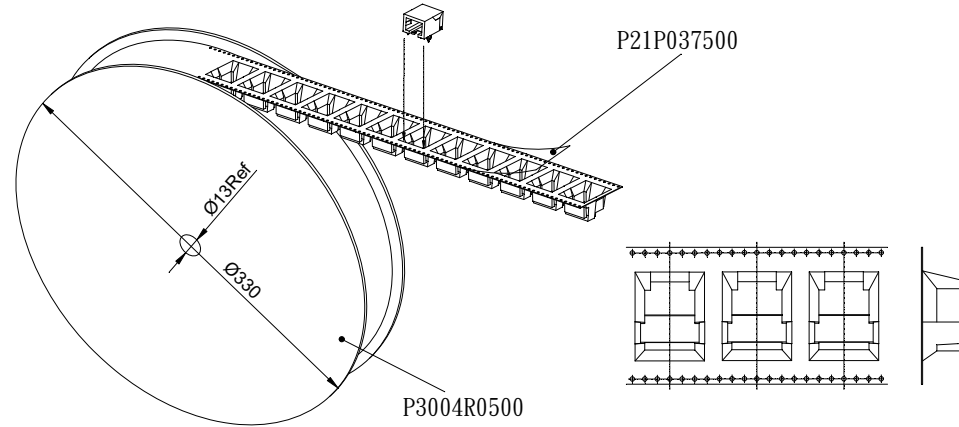
BLACK

06u" GOLD

NON EAR

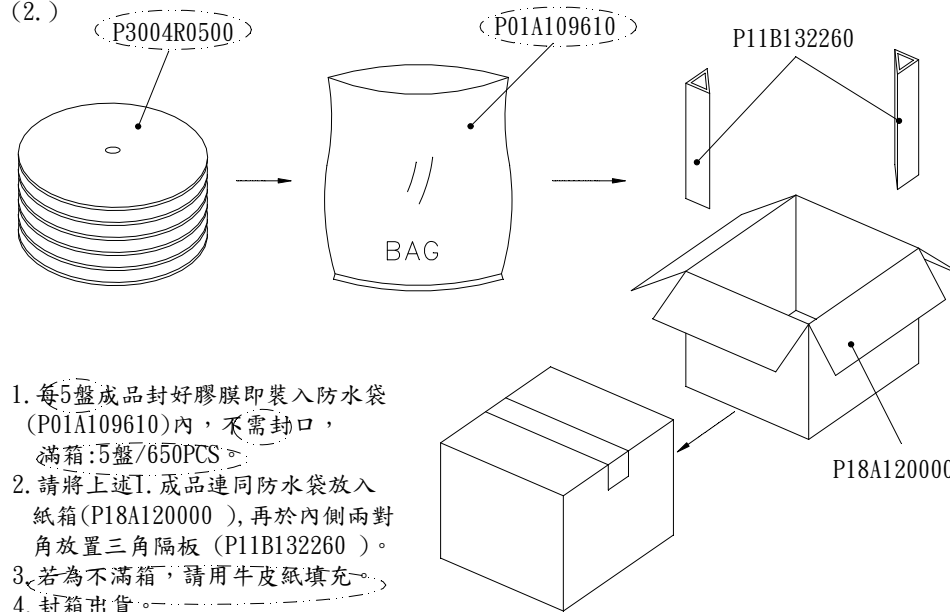
DESCRIPTION: RJ45 8P8C SMT JACK

(1.)



1. 請將組立完成之成品依圖面標示方向順序放入 P3004R0500 (抗靜電)內，前空5格，後空5格，封上P21P037500，每盤裝130 PCS。(請注意捲帶方向)

(2.)



1. 每5盤成品封好膠膜即裝入防水袋 (P01A109610)內，不需封口，滿箱:5盤/650PCS。
2. 請將上述T. 成品連同防水袋放入紙箱 (P18A120000)，再於內側兩對角放置三角隔板 (P11B132260)。
3. 若為不滿箱，請用牛皮紙填充。
4. 封箱出貨。

RoHS Compliant

TOLERANCES ARE

MORETHANALL
PCB CONNECTORS
Cable ASSEMBLIES

煜倫股份有限公司

www.morethanall.com

DRAWING BY CY

CHECKED BY GENIUS

UNIT / mm

SCALE 1:1

DATE

SIZE A4

X ± 0.50

.X ± 0.38

.XX ± 0.25

.XXX ± 0.10

ANG ± 3°

PJECTION

照片框

ORDER INFORMATION

MJW11-KX06PR-0808-LF

SERIES

|

|

|

|

|

|

|

|

|

|

|

|

|

|

|

|

|

8P8C

LEADFREE

REEL

POST

06u" GOLD

NON EAR

BLACK

|

|

|

|

|

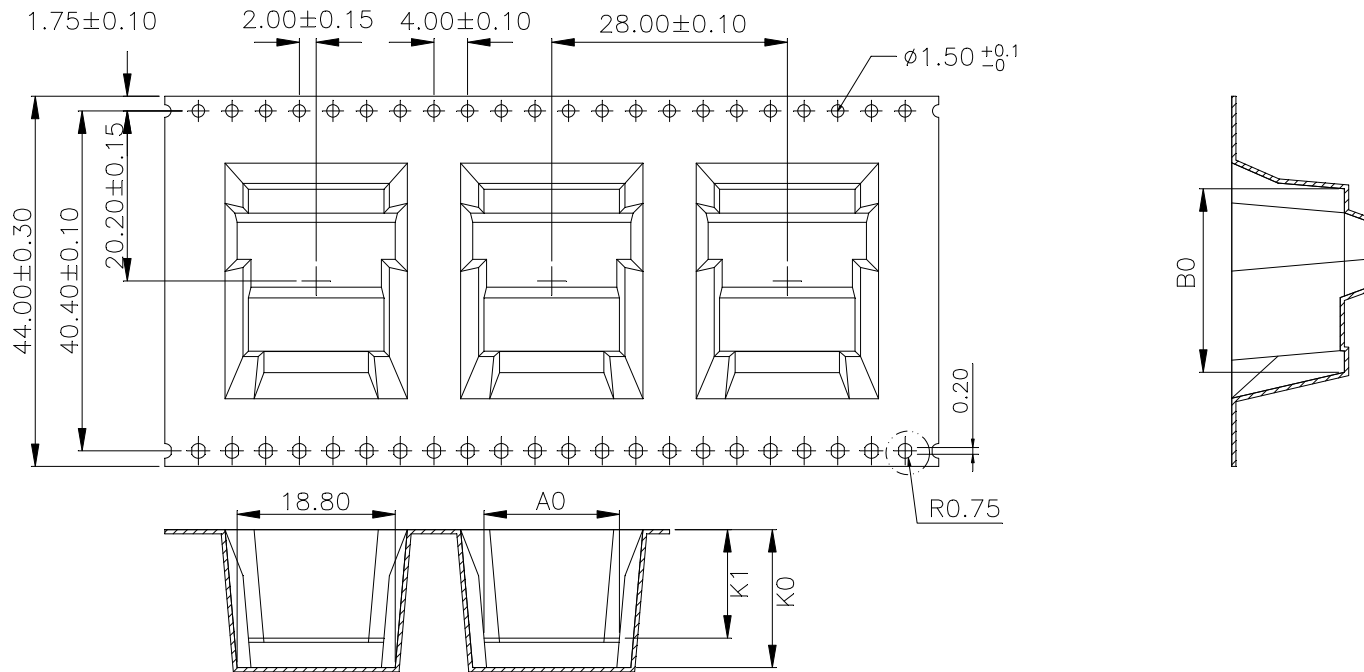
|

|

|

|

DESCRIPTION: RJ45 8P8C SMT JACK



1. 10 sprocket hole pitch cumulative tolerance ± 0.20 .
2. Carrier camber is within 1 mm in 250 mm.
3. Material : Black Conductive Polystyrene Alloy.
4. All dimensions meet EIA-481 requirements.
5. Thickness : 0.50 ± 0.05 mm.
6. Packing length per 13" reel : 3.92 Meters (1:1).
7. Component load per 13" reel : 140 pcs.

A0	16.90±0.15
B0	21.80±0.15
K0	16.40±0.20
K1	12.90±0.15

適用範圍:

SMT TYPE 有金屬殼無簧片腳折平、腳直立，香菇腳，圓柱腳，金屬腳直立

RoHS Compliant

TOLERANCES ARE

MORETHANALL
PCB CONNECTORS
Cable ASSEMBLIES

DRAWING BY CY

X. ± 0.50

CHECKED BY GENIUS

.X ± 0.38

UNIT / mm

SCALE 1 : 1

.XX ± 0.25

.XXX ± 0.10

ANG $\pm 3^\circ$

DATE

SIZE A4

P PROJECTION

照片框

ORDER INFORMATION

MJW11-KX06PR-0808-LF

SERIES

REEL

POST

8P8C

LEADFREE

BLACK

06u" GOLD

NON EAR

煜倫股份有限公司

www.morethanall.com

DESCRIPTION: RJ45 8P8C SMT JACK