

PCB LAYOUT/TOP VIEW

※凡標註 △ 記號者為品管管制尺寸。

MATERIALS:

PLASTIC HOUSING: HIGH TEMP. THERMOPLASTIC
FLAMMABILITY RATING UL 94V-0.

CONTACTS: PHOSPHOR BRONZE

PLATING: GOLD PLATING OVER NICKEL IN CONTACT.
TIN PLATING OVER NICKEL IN SOLDER AREA.

MORETHANALL
PCB CONNECTORS
Cable ASSEMBLIES

煜倫股份有限公司

www.morethanall.com

RoHS Compliant

DRAWING BY CY

CHECKED BY GENIUS

UNIT/mm SCALE 1:1

DATE

SIZE A4

TOLERANCES ARE

X. ± 0.50

.X ± 0.38

.XX ± 0.25

.XXX ± 0.10

ANG ± 3°

PJECTION

照片框

ORDER INFORMATION

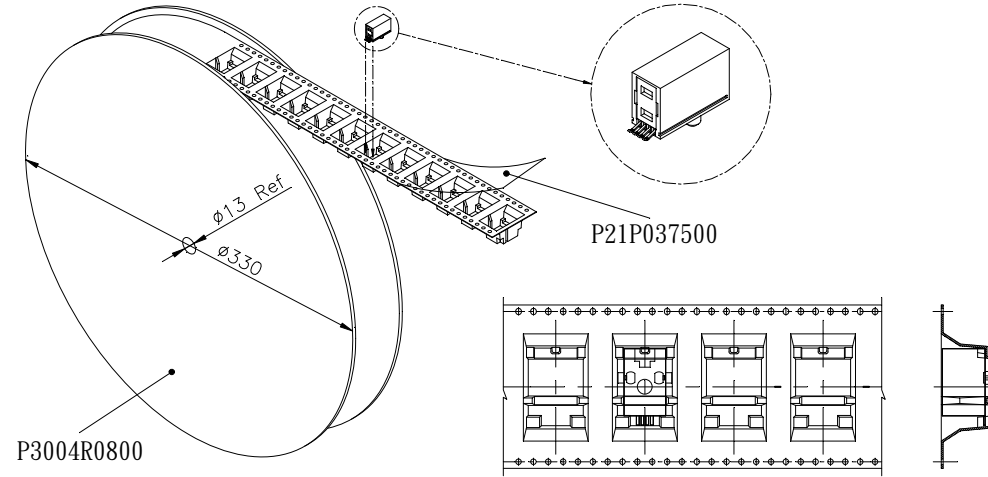
MJW11-KX06PR-0404-LF

SERIES REEL POST LEADFREE

BLACK 06u" GOLD NON EAR 4P4C

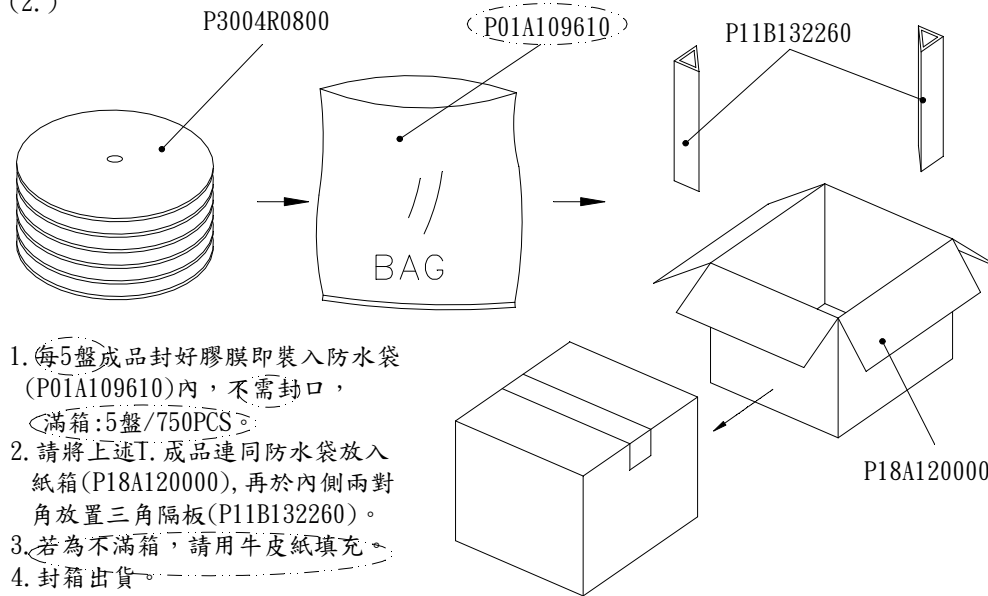
DESCRIPTION:

(1.)



1. 請將組立完成之成品依圖面標示方向順序放入P3004R0800內，前空5格，後空5格，封上 P21P037500，每盤裝150 PCS。(請注意捲帶方向)

(2.)



1. 每5盤成品封好膠膜即裝入防水袋 (P01A109610)內，不需封口，
(滿箱:5盤/750PCS)
2. 請將上述1. 成品連同防水袋放入紙箱(P18A120000)，再於內側兩對角放置三角隔板(P11B132260)。
3. 若為不滿箱，請用牛皮紙填充。
4. 封箱出貨。

RoHS Compliant

TOLERANCES ARE

MORETHANALL
PCB CONNECTORS
Cable ASSEMBLIES

煜倫股份有限公司

www.morethanall.com

DRAWING BY CY

CHECKED BY GENIUS

UNIT/mm SCALE 1:1

DATE

SIZE A4

X. ± 0.50
X. ± 0.38
.XX ± 0.25
.XXX ± 0.10
ANG ± 3°

PJECTION

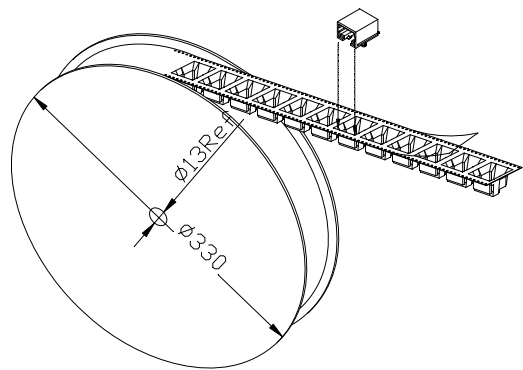
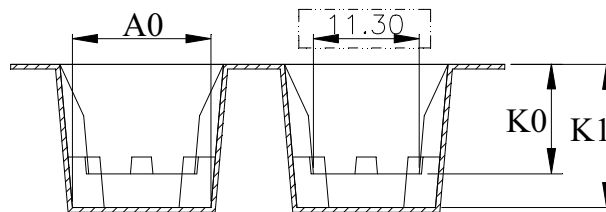
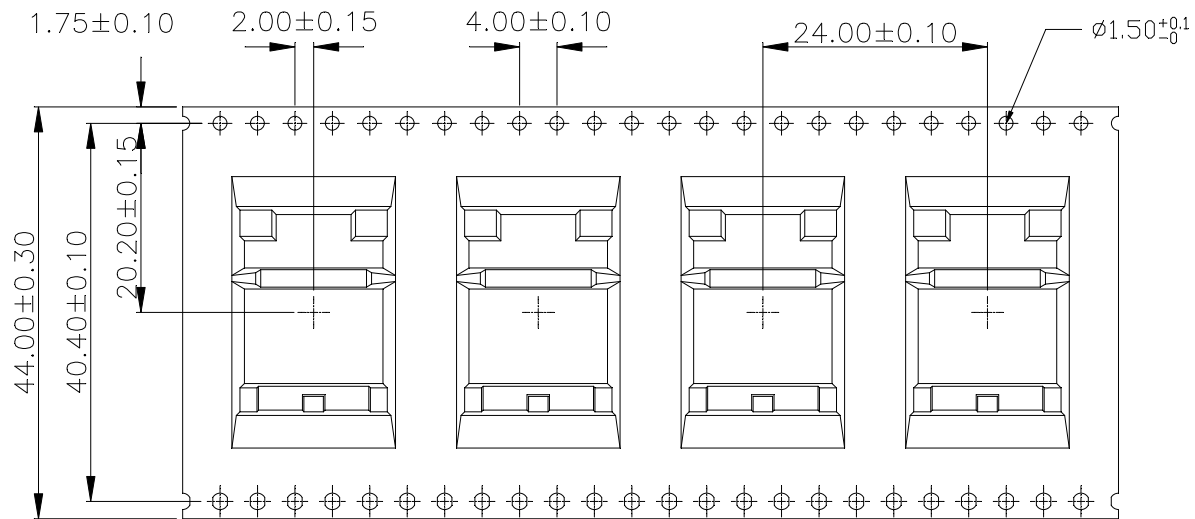
照片框

ORDER INFORMATION

MJW11-KX06PR-0404-LF

SERIES REEL POST
BLACK 06u" GOLD
NON EAR
4P4C LEADFREE

DESCRIPTION:



A0	14.80±0.15
B0	20.90±0.15
K0	11.70±0.15
K1	15.30±0.20

1. 10 sprocket hole pitch cumulative tolerance ± 0.20 .
2. Carrier camber is within 1 mm in 250 mm.
3. Material : Black Conductive Polystyrene Alloy.
4. All dimensions meet EIA-481 requirements.
5. Thickness : 0.50 ± 0.05 mm.
6. Packing length per 13" reel : 3.84 Meters (1:1).
7. Component load per 13" reel : 160 pcs.

適用範圍:

4P 有/無塑腳、金屬片直立/折平、無金屬殼 SMT TYPE系列.

RoHS Compliant

TOLERANCES ARE

MORETHANALL
PCB CONNECTORS
Cable ASSEMBLIES

DRAWING BY CY

CHECKED BY GENIUS

UNIT/mm SCALE 1:1

DATE

SIZE A4

X, ± 0.50
X, ± 0.38
.XX, ± 0.25
.XXX, ± 0.10
ANG $\pm 3^\circ$

P PROJECTION

照片框

ORDER INFORMATION

MJW11-KX06PR-0404-LF

SERIES REEL POST 4P4C LEADFREE
BLACK 06u" GOLD NON EAR

煜倫股份有限公司

www.morethanall.com

DESCRIPTION: